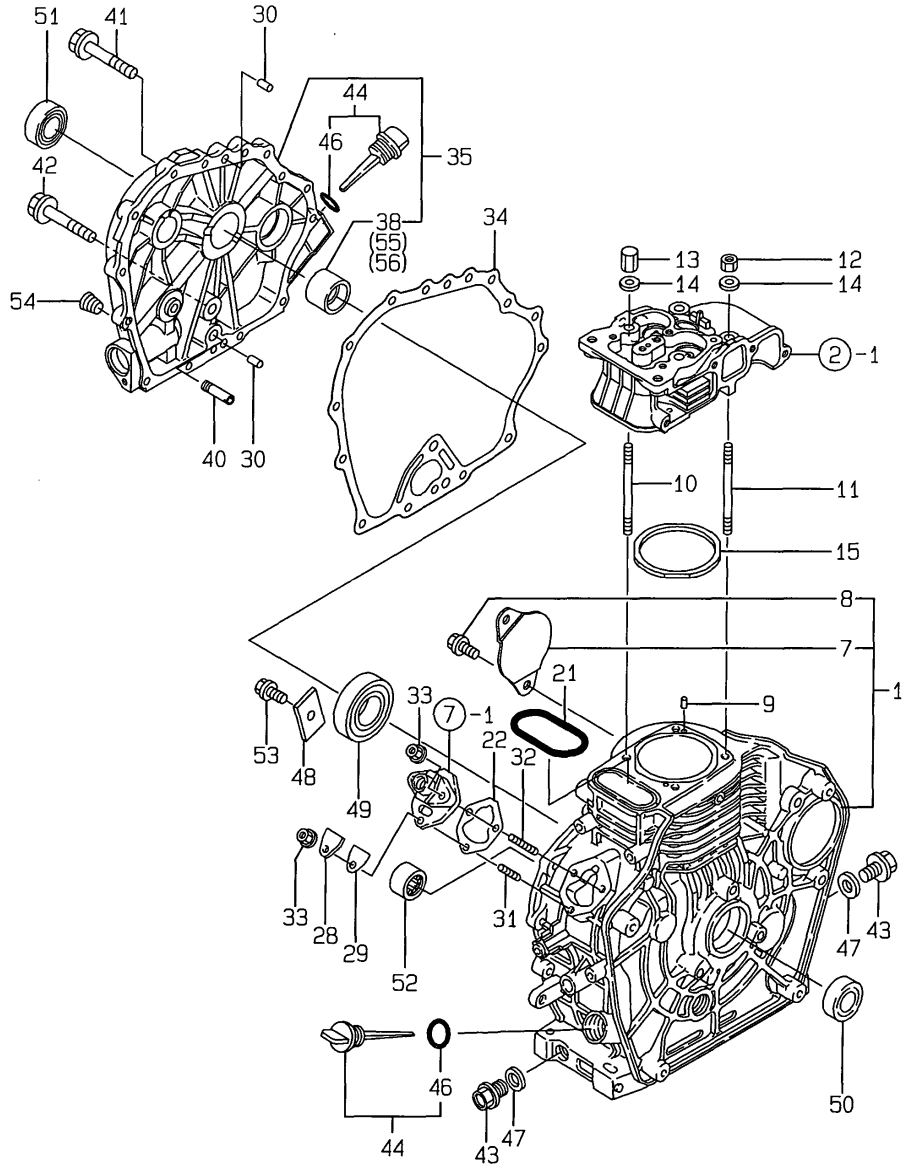


Fig.1.CYLINDER BLOCK

1. CYLINDER BLOCK



(A)=L48EE-D
(B)=L48EE-DE
(C)=L48EE-DG

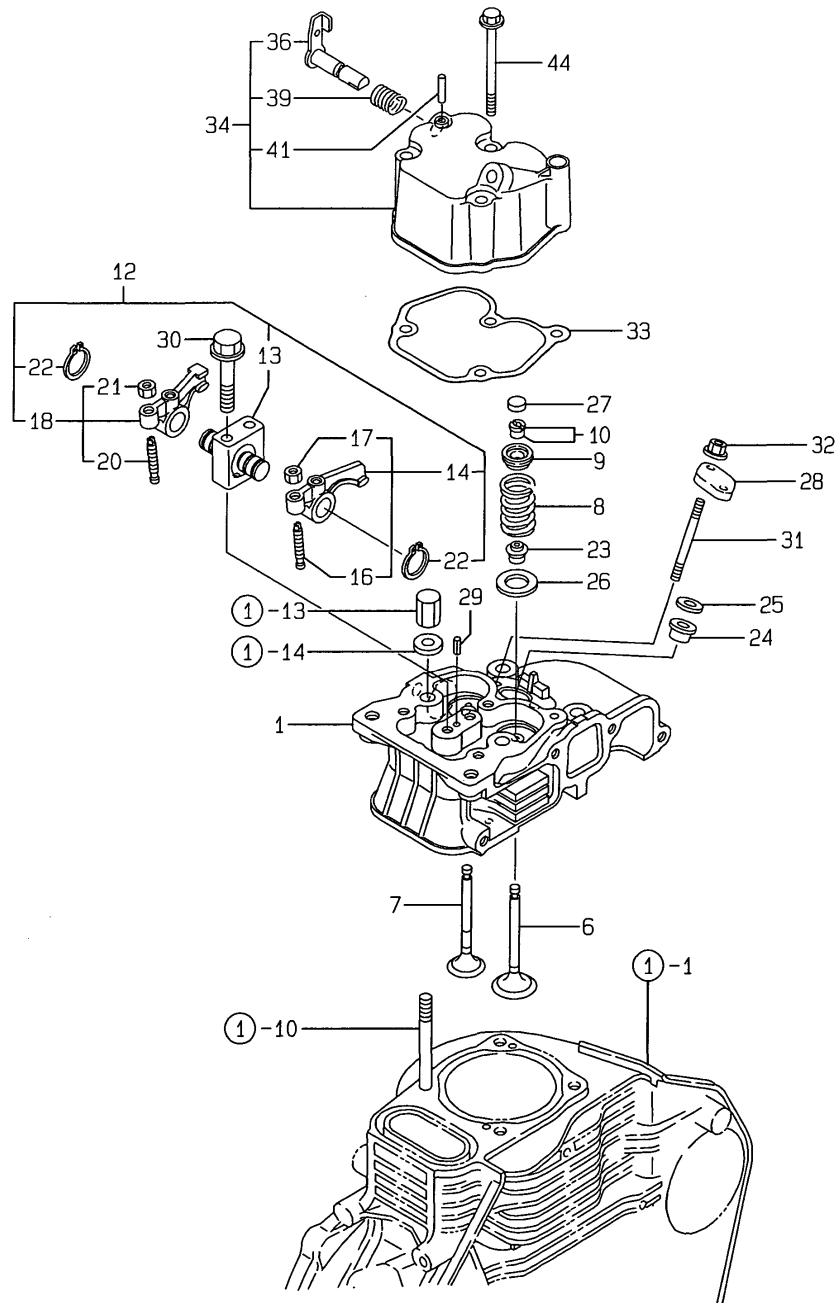
(D)=L48EE-DEG
(E)=L48EE-DP
(F)=L48EE-DEP

REF.	LEV.	PARTS NO.	DESCRIPTION	QTY						I	R
				(A)	(B)	(C)	(D)	(E)	(F)		
1	1	714771-01560	BLOCK ASSY, CYLINDER	1	1	1	1	1	1		
7	2	114350-01700	COVER, STARTER	1	1	1	1	1	1		
8	2	26106-100122	BOLT M10X 12 PLATED	2	2	2	2	2	2		
9	1	22312-040080	PIN 4X8,STRAIGHT	2	2	2	2	2	2		
10	1	114250-01200	STUD, CYL. HEAD	2	2	2	2	2	2		
11	1	114250-01210	STUD, CYL. HEAD	2	2	2	2	2	2		
12	1	114250-01221	NUT 8	2	2	2	2	2	2		
13	1	114250-01251	CAP NUT 8	2	2	2	2	2	2		
14	1	124950-01250	WASHER	4	4	4	4	4	4		
15	1	114771-01330	GASKET,CYL. HEAD CMP	1	1	1	1	1	1		
21	1	114250-01380	O-RING	1	1	1	1	1	1		
22	1	114250-01800	SHIM SET	1	1	1	1	1	1		
28	1	114250-01830	COVER, INSPEC.WINDOW	1	1	1	1	1	1		
29	1	114250-01841	GASKET	1	1	1	1	1	1		
30	1	114270-01600	PARALLEL PIN 8X12	2	2	2	2	2	2		
31	1	26226-060182	STUD M 6X 18 PLATED	1	1	1	1	1	1		
32	1	26226-060222	STUD M 6X 22 PLATED	2	2	2	2	2	2		
33	1	26366-060002	NUT M 6	3	3	3	3	3	3		
34	1	114250-01412	GASKET, CRANK CASE	1	1	1	1	1	1		
35	1	114260-01455	COVER (D),CRANK CASE	1	1	1	1	1	1		
38	2	114250-02100	BEARING, MAIN	1	1	1	1	1	1		1
40	1	114250-35150	PIPE, L.O. INLET	1	1	1	1	1	1		
41	1	26106-060252	BOLT M 6X 25 PLATED	14	14	14	14	14	14		
42	1	26106-080352	BOLT M 8X 35 PLATED	1	1	1	1	1	1		
43	1	105425-01690	PLUG M16	2	2	2	2	2	2		
44	1	114299-01760	CAP, W/LUB.OIL GAUGE	2	2	2	2	2	2		
46	2	114299-01950	O-RING	2	2	2	2	2	2		
47	1	22190-160002	SEAL WASHER 16S	2	2	2	2	2	2		
48	1	114299-02030	RETAINER	1	1	1	1	1	1		
49	1	114250-02113	BALL BEARING	1	1	1	1	1	1		
50	1	160110-02220	SEAL, OIL	1	1	1	1	1	1		
51	1	160210-02220	SEAL, OIL	1	1	1	1	1	1		
52	1	24162-152112	NEEDLE BEARING	1	1	1	1	1	1		
53	1	26106-080122	BOLT M 8X 12 PLATED	1	1	1	1	1	1		
54	1	23876-010000	PLUG PT1/8,SCREW	1	1	1	1	1	1		
55	1	114250-02200	MAIN BEARING US=0.25	1	1	1	1	1	1		2
56	1	114250-02210	MAIN BEARING US=0.50	1	1	1	1	1	1		2

Remarks
(1) REPAIR PART.
(2) UNDER-SIZED PART.

Fig.2.CYLINDER HEAD & BONNET

2.CYLINDER HEAD & BONNET



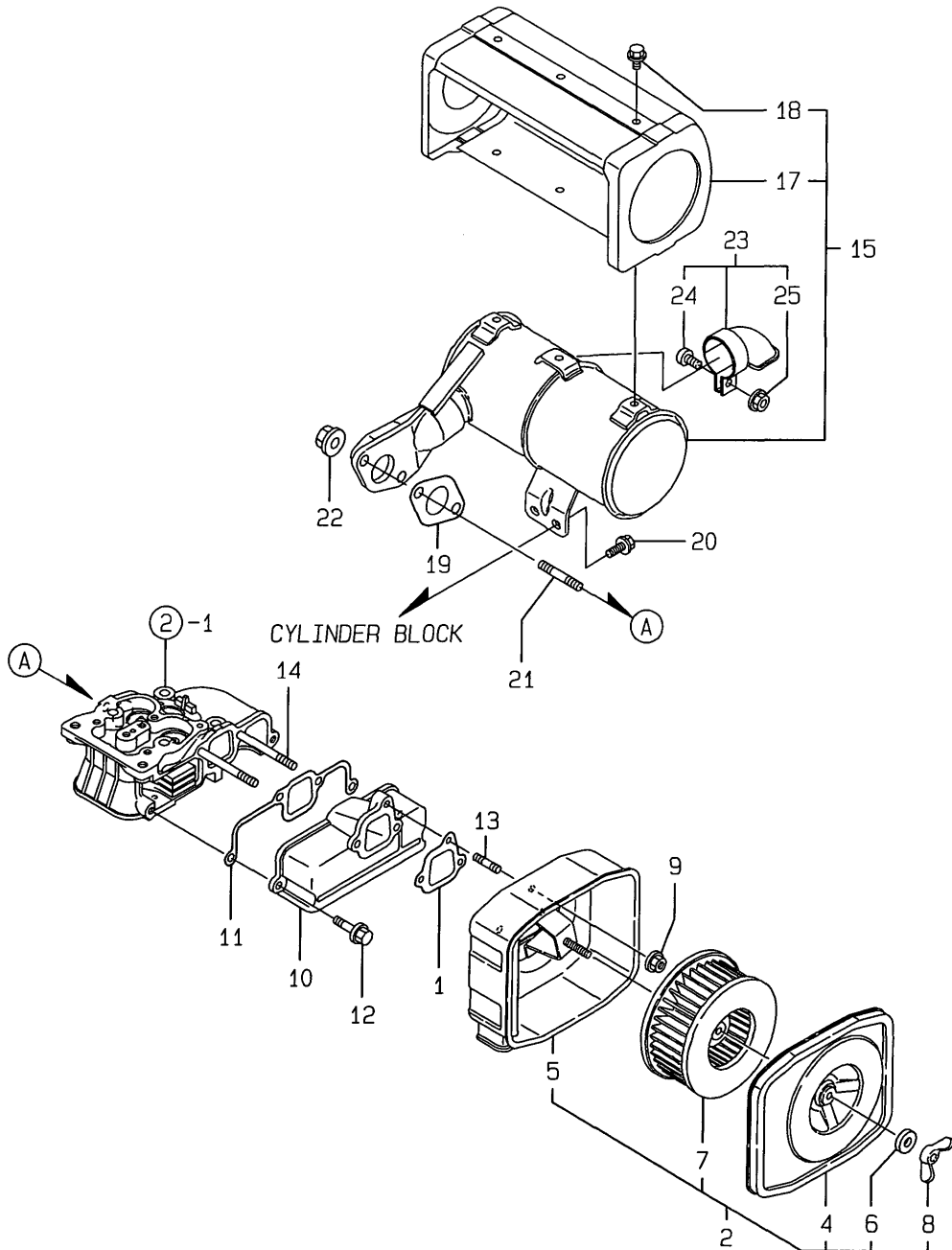
(A)=L48EE-D
(B)=L48EE-DE
(C)=L48EE-DG

(D)=L48EE-DEG
(E)=L48EE-DP
(F)=L48EE-DEP

REF.	LEV.	PARTS NO.	DESCRIPTION	QTY						I	R
				(A)	(B)	(C)	(D)	(E)	(F)		
1	1	114771-11020	CYLINDER HEAD	1	1	1	1	1	1		
6	1	114771-11100	VALVE, SUCTION	1	1	1	1	1	1		
7	1	114771-11110	VALVE, EXHAUST	1	1	1	1	1	1		
8	1	114250-11120	SPRING, VALVE	2	2	2	2	2	2		
9	1	114250-11180	RETAINER, SPRING	2	2	2	2	2	2		
10	1	714250-11570	COTTER ASSY	2	2	2	2	2	2		
12	1	114771-11250	SUPPORT CAM,ARM	1	1	1	1	1	1		
13	2	114771-11260	SUPPORT, ROCKER ARM	1	1	1	1	1	1		
14	2	114771-11650	ARM ASSY, INTAKE	1	1	1	1	1	1		
16	3	114250-11240	SCREW, VALVE ADJUST.	1	1	1	1	1	1		
17	3	26856-060002	LOCK NUT 6	1	1	1	1	1	1		
18	2	114771-11660	ARM ASSY, EXHAUST	1	1	1	1	1	1		
20	3	114250-11240	SCREW, VALVE ADJUST.	1	1	1	1	1	1		
21	3	26856-060002	LOCK NUT 6	1	1	1	1	1	1		
22	2	22242-000120	CIRCLIP 12	2	2	2	2	2	2		
23	1	114250-11340	SEAL, VALVE STEM	2	2	2	2	2	2		
24	1	114771-11461	GASKET, NOZZLE	1	1	1	1	1	1		
25	1	114771-11470	SPACER, NOZZLE	1	1	1	1	1	1		
26	1	114250-11600	WASHER	2	2	2	2	2	2		
27	1	119260-11370	CAP, VALVE	2	2	2	2	2	2		
28	1	114250-11901	RETAINER	1	1	1	1	1	1		
29	1	22351-040008	SPRING PIN 4X 8	1	1	1	1	1	1		
30	1	26106-060452	BOLT M 6X 45 PLATED	2	2	2	2	2	2		
31	1	26226-060652	STUD M6X65	2	2	2	2	2	2		
32	1	26366-060002	NUT M 6	2	2	2	2	2	2		
33	1	114771-11310	GASKET, BONNET	1	1	1	1	1	1		
34	1	114771-11950	BONNET ASSY, HEAD	1	1	1	1	1	1		
36	2	114250-03591	SHAFT ASSY, DECOMP.	1	1	1	1	1	1		
39	2	114250-03640	SPRING	1	1	1	1	1	1		
41	2	22312-030160	PARALLEL PIN 3X16	1	1	1	1	1	1		
44	1	26106-060552	BOLT M 6X 55 PLATED	3	3	3	3	3	3		

Fig.3.AIR CLEANER & MUFFLER

3.AIR CLEANER & MUFFLER



Y00R5140 3.AIR CLEANER & MUFFLER

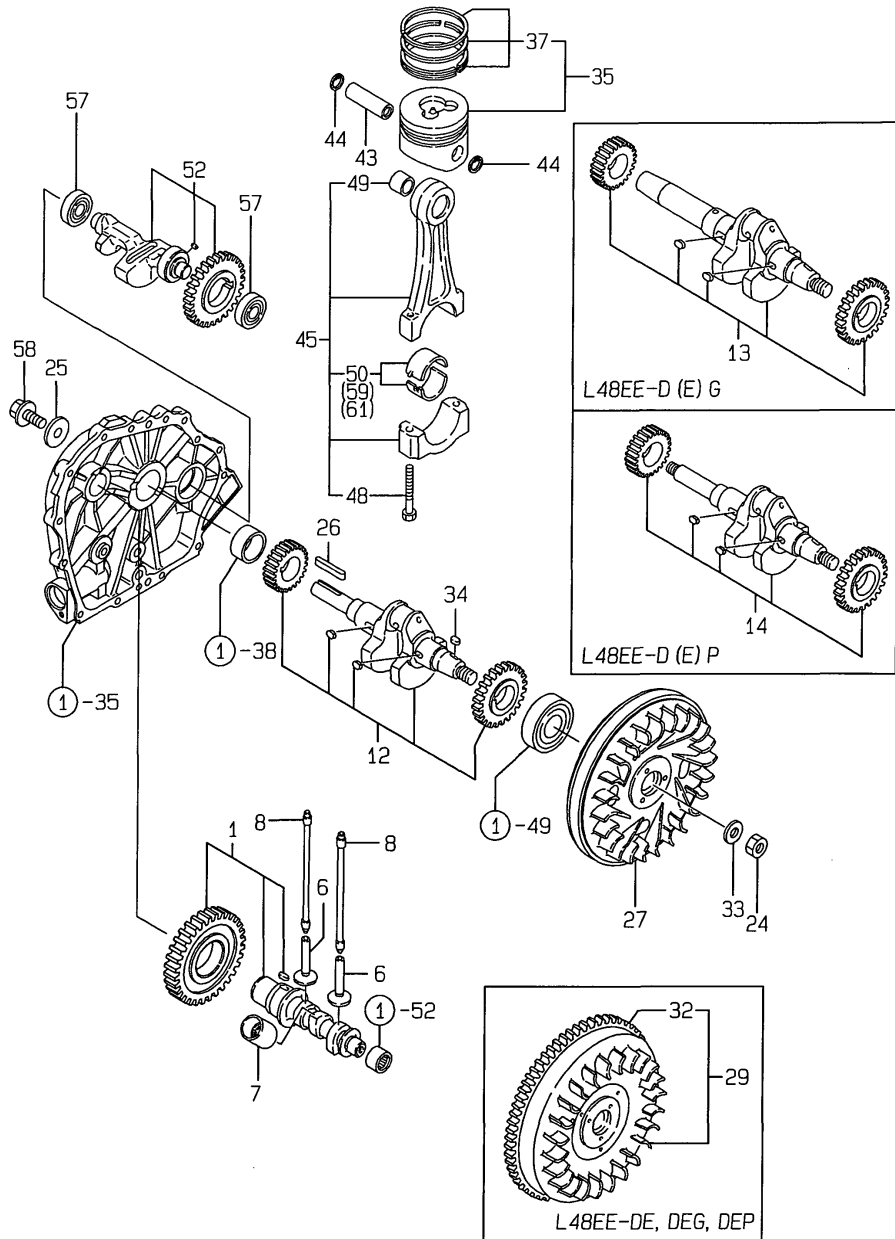
(A)=L48EE-D
(B)=L48EE-DE
(C)=L48EE-DG

(D)=L48EE-DEG
(E)=L48EE-DP
(F)=L48EE-DEP

REF.	LEV.	PARTS NO.	DESCRIPTION	QTY						I	R
				(A)	(B)	(C)	(D)	(E)	(F)		
1	1	114250-12211	GASKET, AIR CLEANER	1	1	1	1	1	1		
2	1	714250-12560	CLEANER ASSY, AIR	1	1	1	1	1	1		
4	2	114250-12520	COVER, AIR CLEANER	1	1	1	1	1	1		
5	2	114250-12530	CASE, AIR CLEANER	1	1	1	1	1	1		
6	2	114250-12560	WASHER M 6, SEAL	1	1	1	1	1	1		
7	2	114250-12580	ELEMENT, WET AIR	1	1	1	1	1	1		
8	2	114250-12550	WING-NUT, M 6	1	1	1	1	1	1		
9	1	114250-12300	U-NUT	3	3	3	3	3	3		
10	1	114771-12010	MANIFOLD, INTAKE	1	1	1	1	1	1		
11	1	114771-12200	GASKET,AIR INTAKE	1	1	1	1	1	1		
12	1	26106-060252	BOLT M 6X 25 PLATED	2	2	2	2	2	2		
13	1	26226-060142	STUD M 6X 14 PLATED	1	1	1	1	1	1		
14	1	26226-060552	STUD M6X 55 PLATED	2	2	2	2	2	2		
15	1	114250-13521	MUFFLER W/COVER	1	1	1	1	1	1		
17	2	114250-13701	COVER, MUFFLER	1	1	1	1	1	1		
18	2	26106-060082	BOLT M 6X 8 PLATED	6	6	6	6	6	6		
19	1	114250-13201	GASKET (NON-ASB.)	1	1	1	1	1	1		
20	1	26106-060122	BOLT M 6X 12 PLATED	2	2	2	2	2	2		
21	1	26216-080182	STUD M 8X 18 PLATED	2	2	2	2	2	2		
22	1	26366-080002	NUT M 8	2	2	2	2	2	2		
23	1	114288-13800	DEFLECTOR EXH	1	1	1	1	1	1		
24	2	26554-060182	SCREW M 6X 18	1	1	1	1	1	1		
25	2	26367-060002	U-NUT M6	1	1	1	1	1	1		

Fig.4.CRANKSHAFT.PISTON & CAMSHAFT

4.CRANKSHAFT, PISTON & CAMSHAFT



Y00R5140 4.CRANKSHAFT,PISTON & CAMSHAFT

(A)=L48EE-D
(B)=L48EE-DE
(C)=L48EE-DG

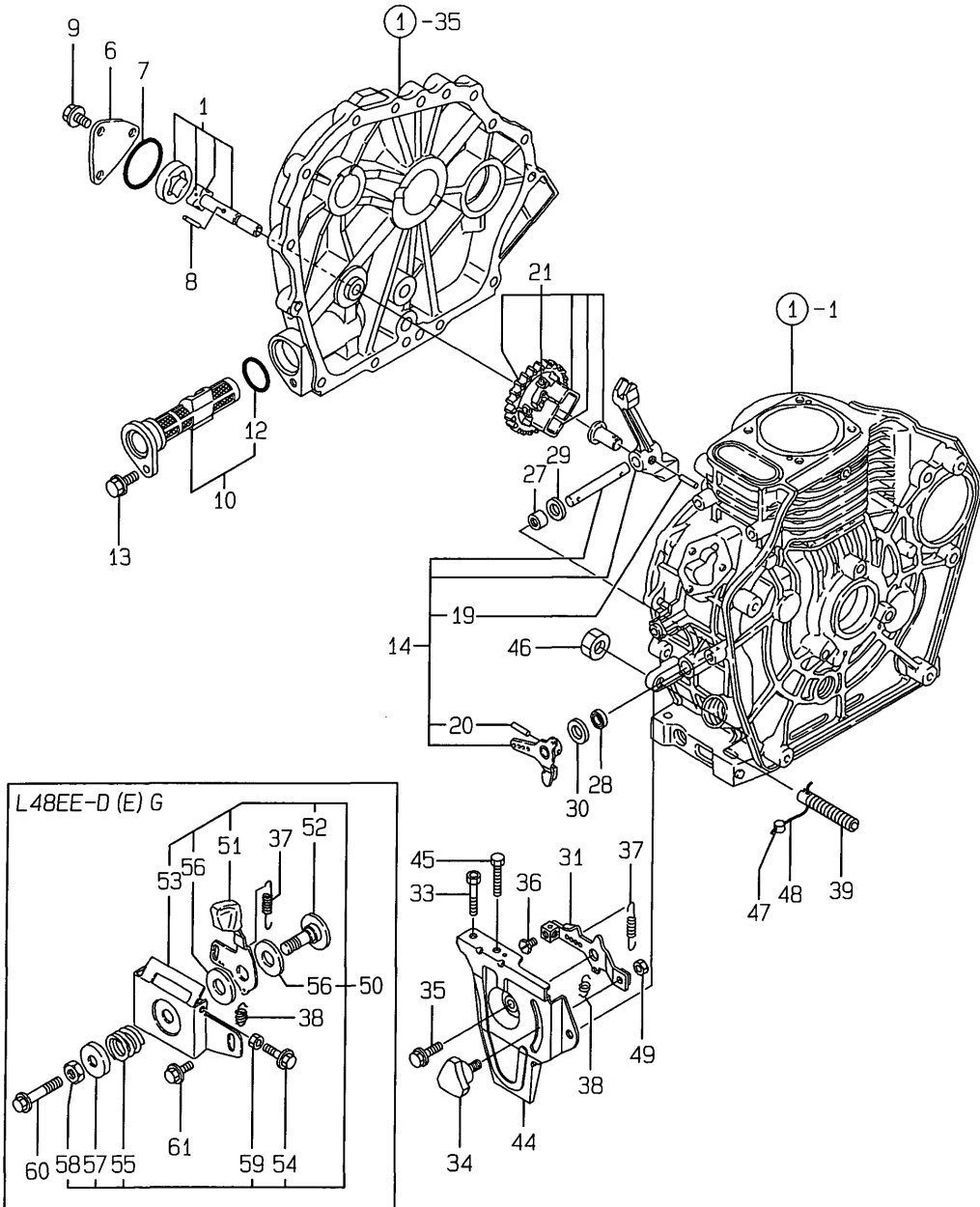
(D)=L48EE-DEG
(E)=L48EE-DP
(F)=L48EE-DEP

REF.	LEV.	PARTS NO.	DESCRIPTION	QTY						I	R
				(A)	(B)	(C)	(D)	(E)	(F)		
1	1	714471-14580	CAMSHAFT (D) ASSY	1	1	1	1	1	1		
6	1	114250-14200	TAPPET	2	2	2	2	2	2		
7	1	114771-14260	TAPPET,F.O.	1	1	1	1	1	1		
8	1	114250-14450	ROD, PUSH	2	2	2	2	2	2		
12	1	714775-21700	CRANKSHAFT ASY.	1	1						
13	1	714777-21700	CRANKSHAFT ASY.			1	1				
14	1	714776-21700	CRANKSHAFT ASY.						1	1	
24	1	103854-01221	NUT M16	1	1	1	1	1	1	1	
25	1	160310-14550	WASHER	1	1						
26	1	160642-21150	KEY 4.7X30	1	1						
27	1	114780-21400	FLYWHEEL (D)	1		1		1			
29	1	114781-21590	FLYWHEEL W/RING GEAR		1			1		1	
32	2	114262-21600	GEAR, RING		1			1		1	
33	1	114250-21550	WASHER, FLYWHEEL	1	1	1	1	1	1	1	
34	1	22512-040120	KEY 4X 12	1	1	1	1	1	1	1	
35	1	714772-22720	PISTON W/RINGS	1	1	1	1	1	1	1	
37	2	714770-22500	RING SET, PISTON	1	1	1	1	1	1	1	
43	1	114299-22300	PIN, PISTON	1	1	1	1	1	1	1	
44	1	22252-000190	CIRCLIP 19	2	2	2	2	2	2	2	
45	1	714770-23700	ROD ASSY, CONNECTING	1	1	1	1	1	1	1	
48	2	119265-23200	BOLT, ROD	2	2	2	2	2	2	2	
49	2	114770-23100	BUSH, PISTON PIN	1	1	1	1	1	1	1	
50	2	714770-23600	BEARING, CRANKPIN	1	1	1	1	1	1	1	
52	1	714770-28530	SHAFT ASSY, BALANCER	1	1	1	1	1	1	1	
57	1	24101-062024	BALL BEARING	2	2	2	2	2	2	2	
58	1	160642-21250	BOLT 5/15-24UNF	1	1						
59	1	714770-23610	BEARING,PIN(U.S.=0.25	1	1	1	1	1	1	1	1
61	1	714770-23620	BEARING,PIN(U.S.=0.50	1	1	1	1	1	1	1	1

Remarks
(1) UNDER-SIZED PARTS.

FIG.5.LUB.OIL PUMP & GOVERNOR

5.LUB.OIL PUMP & GOVERNOR



Y00R5140 5.LUB.OIL PUMP & GOVERNOR

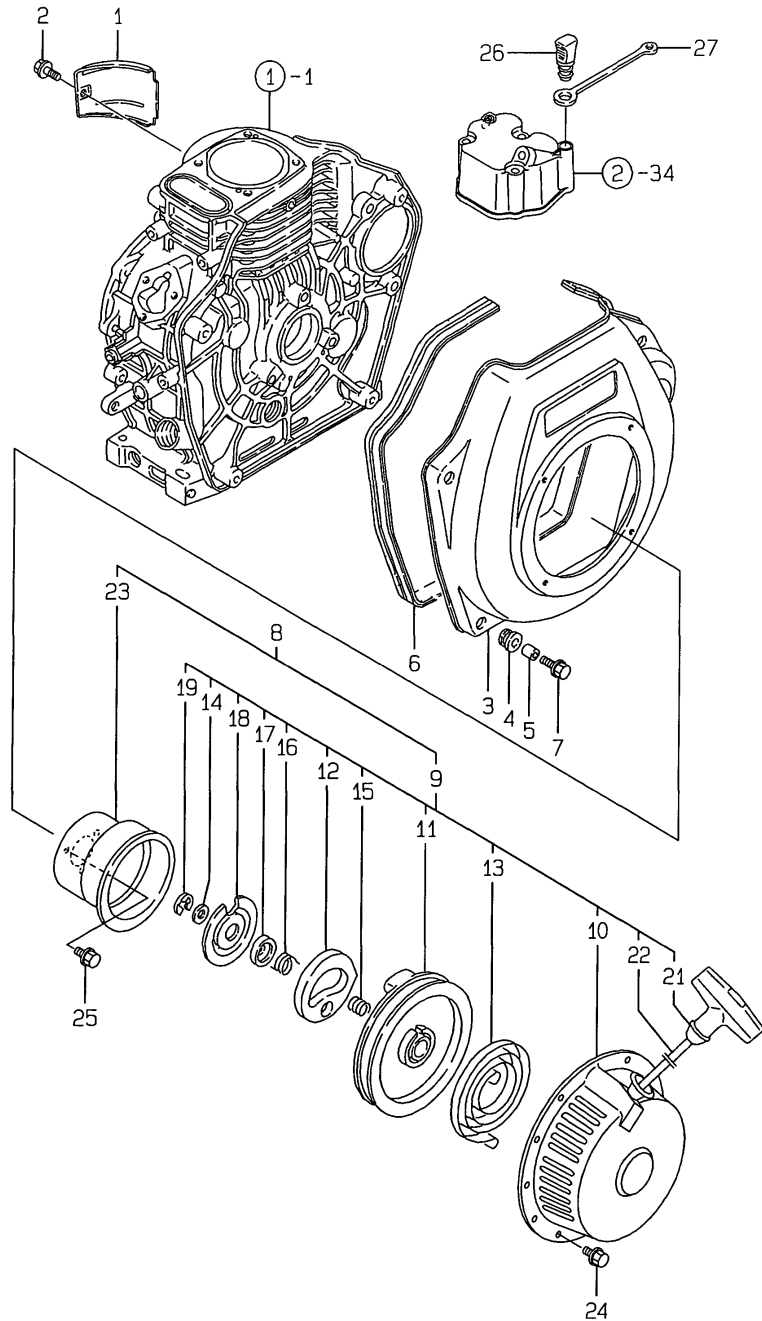
(A)=L48EE-D
(B)=L48EE-DE
(C)=L48EE-DG

(D)=L48EE-DEG
(E)=L48EE-DP
(F)=L48EE-DEP

REF.	LEV.	PARTS NO.	DESCRIPTION	QTY						I	R
				(A)	(B)	(C)	(D)	(E)	(F)		
1	1	114250-32010	PUMP ASSY, LUB.OIL	1	1	1	1	1	1		
6	1	114250-32070	COVER, LUB. OIL PUMP	1	1	1	1	1	1		
7	1	103338-32570	O-RING	1	1	1	1	1	1		
8	1	22312-030160	PARALLEL PIN 3X16	1	1	1	1	1	1		
9	1	26476-060142	BOLT M 6X 14,TAPPING	3	3	3	3	3	3		
10	1	114250-35110	STRAINER, LUB OIL	1	1	1	1	1	1		
12	2	24341-000224	O-RING 1A S-22.4	1	1	1	1	1	1		
13	1	26106-060162	BOLT M 6X 16 PLATED	1	1	1	1	1	1		
14	1	714250-61500	LEVER ASSY, GOVERNOR	1	1	1	1	1	1		
19	2	22322-030200	TAPER PIN 3X20	1	1	1	1	1	1		
20	2	22322-030200	TAPER PIN 3X20	1	1	1	1	1	1		
21	1	714770-61100	GOVERNOR ASSY	1	1	1	1	1	1		
27	1	114770-61520	BEARING, NEEDLE	2	2	2	2	2	2		
28	1	114770-61600	SEAL, OIL	1	1	1	1	1	1		
29	1	114770-61610	WASHER, THRUST	1	1	1	1	1	1		
30	1	114770-61190	WASHER	1	1	1	1	1	1		
31	1	114250-66050	HANDLE, REGULATOR	1	1				1	1	
33	1	102100-67080	BOLT, ADJUSTING	1	1				1	1	
34	1	160725-78350	KNOB (W/M6X15)	1	1				1	1	
35	1	26106-060142	BOLT M 6X 14 PLATED	1	1				1	1	
36	1	26117-040088	BOLT M 4X 8 PLATED	1	1				1	1	
37	1	114770-66010	SPRING, REGULATOR	1	1	1	1	1	1	1	
38	1	114250-66200	SPRING, RETURN	1	1	1	1	1	1	1	
39	1	114771-66550	TORQUE SPRING ASSY	1	1	1	1	1	1	1	
44	1	114299-66100	STAY, HANDLE	1	1					1	1
45	1	114250-66440	BOLT, ADJUSTING	1	1					1	1
46	1	26696-100002	NUT M10	1	1	1	1	1	1	1	
47	1	135210-61090	LEAD	2	2	2	2	2	2	2	
48	1	22451-060000	WIRE 0.6	2	2	2	2	2	2	2	
49	1	26347-060002	U NUT 6	1	1					1	1
50	1	183250-66500	STAY ASSY, HANDLE							1	1
51	2	183250-66050	HANDLE, REGULATOR							1	1
52	2	183250-66070	SHAFT, HANDLE							1	1
53	2	183250-66100	BRACKET, REGULATOR							1	1
54	2	114250-66440	BOLT, ADJUSTING							1	1
55	2	104200-66820	SPRING							1	1
56	2	104200-66830	PLATE, FRICTION							2	2
57	2	104200-66850	WASHER (B)							1	1
58	2	26696-100002	NUT M10							1	1
59	2	26757-060002	NUT 6							1	1
60	1	26106-060452	BOLT M 6X 45 PLATED							1	1
61	1	26476-060142	BOLT M 6X 14,TAPPING							1	1

Fig.6.COOLING & STARTING DEVICE

6.COOLING & STARTING DEVICE



(A)=L48EE-D
(B)=L48EE-DE
(C)=L48EE-DG

(D)=L48EE-DEG
(E)=L48EE-DP
(F)=L48EE-DEP

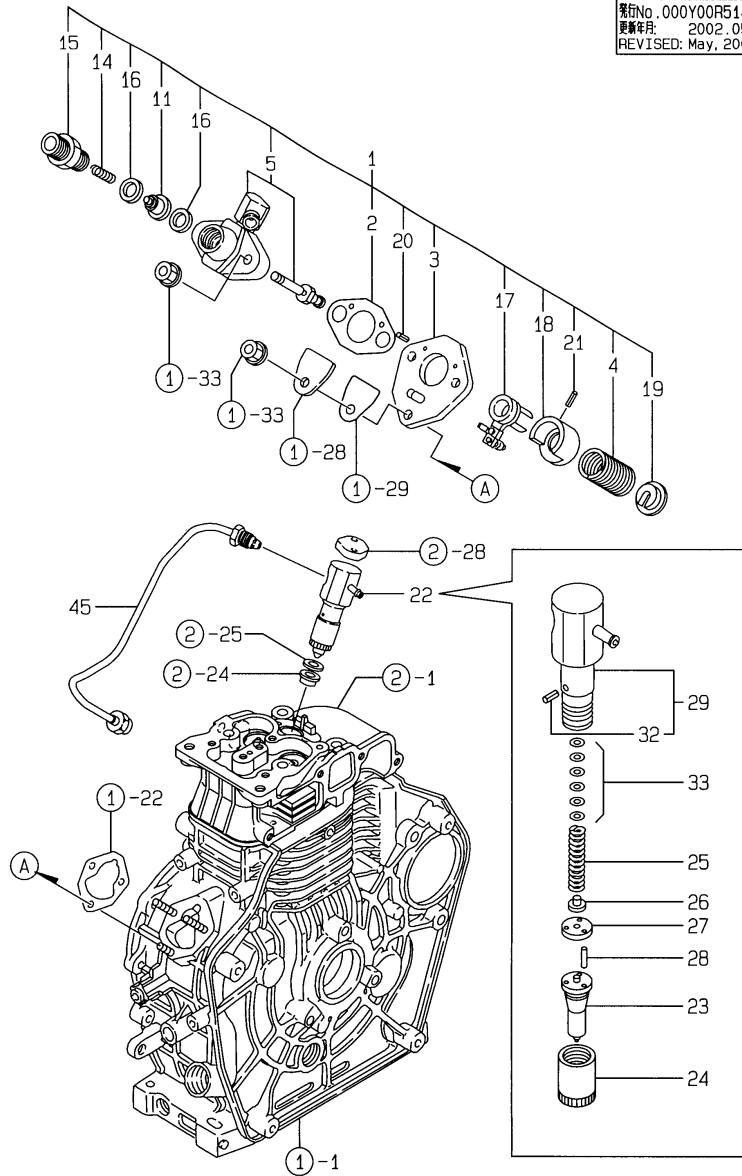
REF.	LEV.	PARTS NO.	DESCRIPTION	----- QTY -----						I	R
				(A)	(B)	(C)	(D)	(E)	(F)		
1	1	114299-45210	COVER, CYLINDER	1	1	1	1	1	1		
2	1	26106-060122	BOLT M 6X 12 PLATED	1	1	1	1	1	1		
3	1	114771-45100	CASE, COOLING FAN	1	1	1	1	1	1		
4	1	114250-45301	RUBBER, CUSHION	4	4	4	4	4	4		
5	1	114250-45310	COLLAR	4	4	4	4	4	4		
6	1	114250-45330	SEAL, FAN CASE	1	1	1	1	1	1		
7	1	114370-45351	BOLT, FAN CASE	4	4	4	4	4	4		
8	1	114260-76050	RECOIL STARTER(D)ASY	1	1	1	1	1	1		
9	2	114260-76250	RECOIL STARTER(D)ASY	1	1	1	1	1	1		
10	3	114260-76520	CASE (D) W/NO LABEL	1	1	1	1	1	1		
11	3	160260-76520	REEL, RECOIL	1	1	1	1	1	1		
12	3	160260-76530	RATCHET	1	1	1	1	1	1		
13	3	160260-76540	SPRING, SPIRAL	1	1	1	1	1	1		
14	3	160260-76550	WASHER, THRUST	1	1	1	1	1	1		
15	3	160260-76560	SPRING, FRICTION	1	1	1	1	1	1		
16	3	160290-76570	SPRING, RETURN	1	1	1	1	1	1		
17	3	160260-76580	COVER, SPRING	1	1	1	1	1	1		
18	3	160260-76590	PLATE, FRICTION	1	1	1	1	1	1		
19	3	160260-76600	CIRCLIP(E)	1	1	1	1	1	1		
21	3	160260-76620	KNOB, STARTER	1	1	1	1	1	1		
22	3	160260-76630	ROPE, STARTER	1	1	1	1	1	1		
23	2	114250-76590	PULLEY, STARTER	1	1	1	1	1	1		
24	1	26106-060082	BOLT M 6X 8 PLATED	4	4	4	4	4	4		
25	1	26106-060122	BOLT M 6X 12 PLATED	3	3	3	3	3	3		
26	1	114250-76600	PLUNGER	1	1	1	1	1	1		
27	1	114250-76610	HOLDER, PLUNGER	1	1	1	1	1	1		

Fig.7.FUEL INJECTION PUMP

Y00R5140
L48EE-D (E)
L48EE-D (E) G
L48EE-D (E) P

7.FUEL INJECTION PUMP

発行No. 000Y00R5140-1
更新年月: 2002.05
REVISED: May, 2002



Y00R5140 7.FUEL INJECTION PUMP

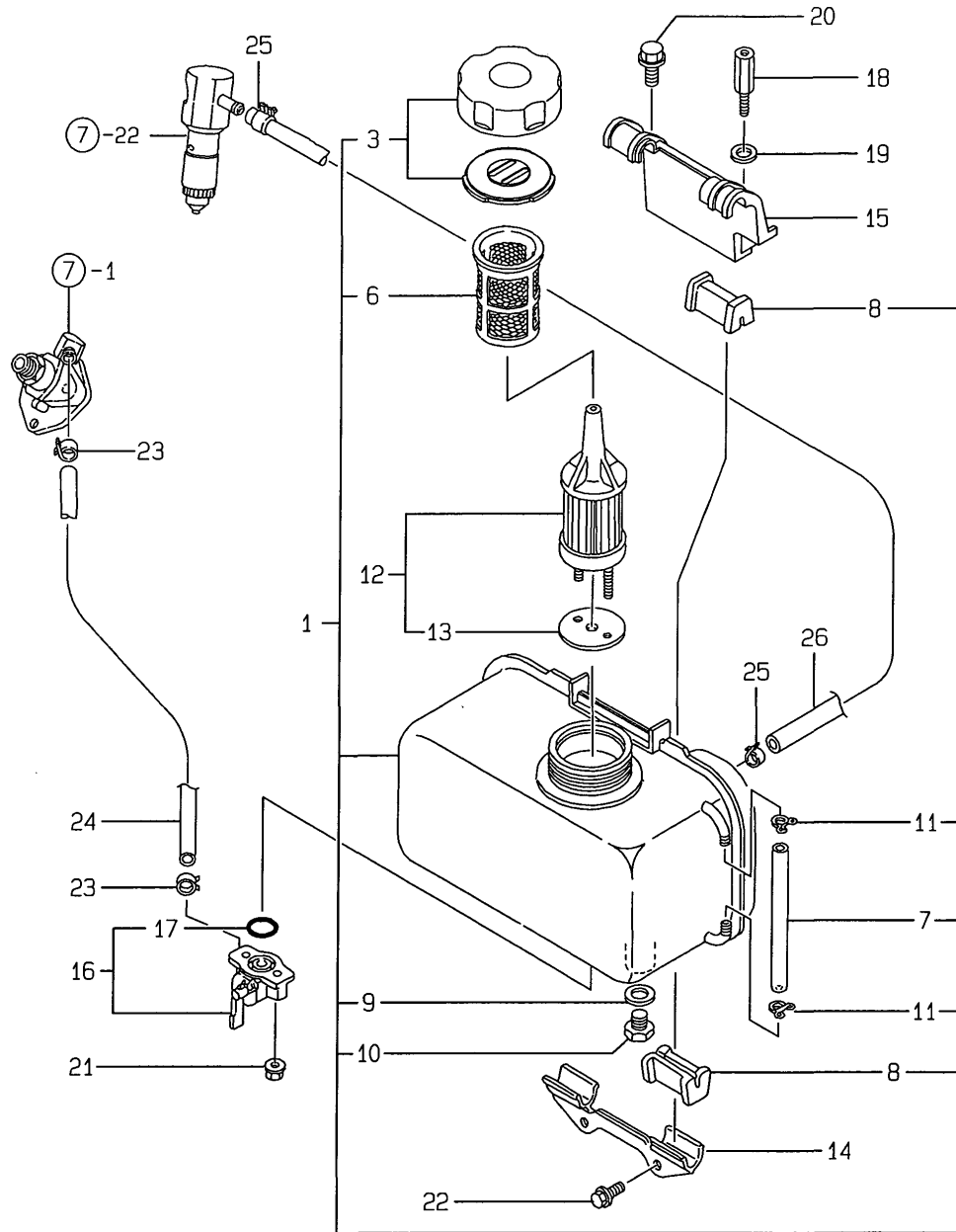
(A)=L48EE-D
(B)=L48EE-DE
(C)=L48EE-DG

(D)=L48EE-DEG
(E)=L48EE-DP
(F)=L48EE-DEP

REF.	LEV.	PARTS NO.	DESCRIPTION	----- QTY -----						I	R
				(A)	(B)	(C)	(D)	(E)	(F)		
1	1	714350-51200	PUMP ASSY, F.INJECT.	1	1	1	1	1	1		
2	2	105546-51020	GASKET	1	1	1	1	1	1		
3	2	114250-51080	PLATE	1	1	1	1	1	1		
4	2	114250-51160	SPRING	1	1	1	1	1	1		
5	2	114350-51200	BODY, F.I. PUMP	1	1	1	1	1	1		
11	2	114250-51300	VALVE ASSY, DELIVERY	1	1	1	1	1	1		
14	2	105546-51330	SPRING, DELIV. VALVE	1	1	1	1	1	1		
15	2	114250-51340	HOLDER, F.I.P.DELIVE	1	1	1	1	1	1		
16	2	124550-51350	GASKET, DELIVERY	2	2	2	2	2	2		
17	2	114250-51600	LEVER ASSY, CONTROL	1	1	1	1	1	1		
18	2	114250-51640	SEAT (A), SPRING	1	1	1	1	1	1		
19	2	114250-51650	SEAT (B), SPRING	1	1	1	1	1	1		
20	2	22351-020006	SPRING PIN 2X 6	2	2	2	2	2	2		
21	2	22351-030008	SPRING PIN 3X 8	1	1	1	1	1	1		
22	1	714771-53100	VALVE ASSY, F.INJECT	1	1	1	1	1	1		
23	2	114771-53000	NOZZLE ASSY	1	1	1	1	1	1		
24	2	119593-53080	NUT,NOZZLE CASE	1	1	1	1	1	1		
25	2	114250-53120	SPRING, NOZZLE	1	1	1	1	1	1		
26	2	119593-53130	RETAINER,SPRING	1	1	1	1	1	1		
27	2	114775-53140	SPACER,VALVE STOP	1	1	1	1	1	1		
28	2	114775-53210	PIN	2	2	2	2	2	2		
29	2	114775-53100	HOLDER ASSY	1	1	1	1	1	1		
32	3	114775-53330	PIN	1	1	1	1	1	1		
33	2	114250-53400	SHIM PACK	1	1	1	1	1	1		
45	1	114771-59801	PIPE, FUEL INJECTION	1	1	1	1	1	1		

Fig.8.FUEL TANK & FUEL LINE

8.FUEL TANK & FUEL LINE



Y00R5140 8.FUEL TANK & FUEL LINE

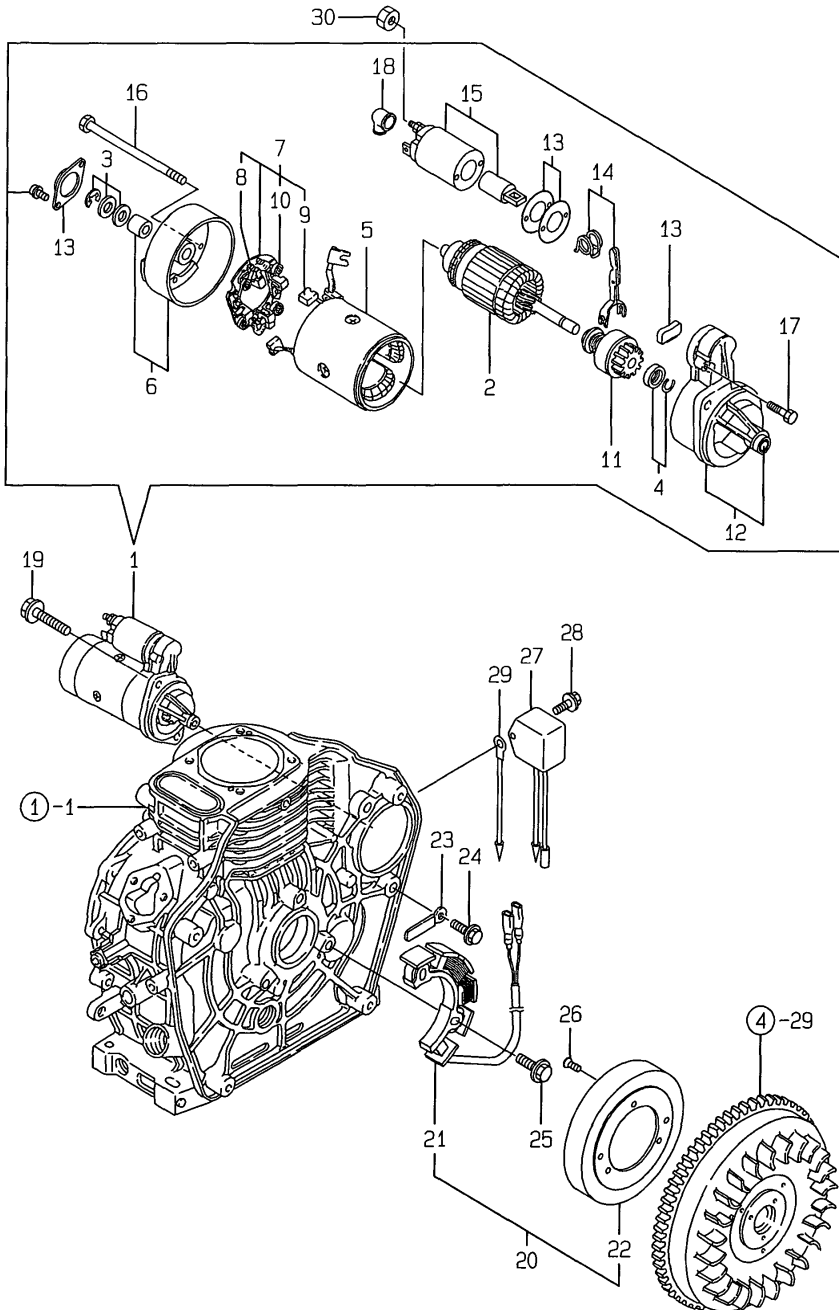
(A)=L48EE-D
(B)=L48EE-DE
(C)=L48EE-DG

(D)=L48EE-DEG
(E)=L48EE-DP
(F)=L48EE-DEP

REF.	LEV.	PARTS NO.	DESCRIPTION	QTY						I	R
				(A)	(B)	(C)	(D)	(E)	(F)		
1	1	714250-55701	TANK,FUEL (RED)(50)	1	1	1	1	1	1		
3	2	114288-55040	CAP ASSY, TANK	1	1	1	1	1	1		
6	2	114250-55100	FILTER, FUEL	1	1	1	1	1	1		
7	2	114250-55150	PIPE, GAUGE	1	1	1	1	1	1		
8	2	114250-55201	DAMPER, FUEL TANK	4	4	4	4	4	4		
9	2	23414-080000	GASKET 8, ROUND	1	1	1	1	1	1		
10	2	105300-55080	PLUG, DRAIN	1	1	1	1	1	1		
11	2	103854-55220	CLAMP	2	2	2	2	2	2		
12	1	114250-55121	FILTER, FUEL OIL	1	1	1	1	1	1		
13	2	114250-55130	GASKET	1	1	1	1	1	1		
14	1	114299-55210	STAY	1	1	1	1	1	1		
15	1	114299-55230	STAY (B)	1	1	1	1	1	1		
16	1	114250-55300	COCK ASSY, FUEL	1	1	1	1	1	1		
17	2	24341-000150	O-RING 1A S-15.0	1	1	1	1	1	1		
18	1	114650-55810	BOLT, LIFTING	1	1	1	1	1	1		
19	1	22117-080000	WASHER 8	1	1	1	1	1	1		
20	1	26106-080452	BOLT M 8X 45 PLATED	1	1	1	1	1	1		
21	1	26366-060002	NUT M 6	2	2	2	2	2	2		
22	1	26476-060142	BOLT M 6X 14, TAPPING	2	2	2	2	2	2		
23	1	106990-44660	CLIP, HOSE	2	2	2	2	2	2		
24	1	114250-59051	PIPE, FUEL OIL	1	1	1	1	1	1		
25	1	124722-59050	CLAMP 9	2	2	2	2	2	2		
26	1	114250-59060	PIPE, FUEL RETURN	1	1	1	1	1	1		

Fig.9.STARTING MOTOR & DYNAMO

9.STARTING MOTOR & DYNAMO



Y00R5140 9.STARTING MOTOR & DYNAMO

(A)=L48EE-D (D)=L48EE-DEG
 (B)=L48EE-DE (E)=L48EE-DP
 (C)=L48EE-DG (F)=L48EE-DEP

REF.	LEV.	PARTS NO.	DESCRIPTION	QTY						I	R
				(A)	(B)	(C)	(D)	(E)	(F)		
1	1	114362-77011	STARTER(S114-651A)		1		1				
2	2	114381-77110	ARMATURE		1		1				
3	2	X2114811000	WASHER KIT, THRUST		1		1				
4	2	X2114715500	STOPPER SET, PINION		1		1				
5	2	114381-77130	COIL ASSY, FIELD		1		1				
6	2	114381-77140	COVER, REAR		1		1				
7	2	114371-77160	HOLDER ASSY, BRUSH		1		1				
8	3	114371-79040	BRUSH (-)		2		2		2		
9	3	114371-79050	BRUSH (+)		1		1		1		
10	3	114371-79060	SPRING, BRUSH		4		4		4		
11	2	X2114455080	PINION ASSY		1		1		1		
12	2	114381-77150	HOUSING ASSY, GEAR		1		1		1		
13	2	114371-77170	COVER KIT, DUST		1		1		1		
14	2	X2114560130	LEVER KIT, SHIFT		1		1		1		
15	2	X2114275010	SWITCH ASSY, MAGNET		1		1		1		
16	2	X2114680050	BOLT, THROUGH		2		2		2		
17	2	114371-79070	BOLT M 6X 37		2		2		2		
18	2	X2114274200	COVER, TERMINAL		1		1		1		
19	1	26106-100302	BOLT M10X 30 PLATED		2		2		2		
20	1	114351-78251	DYNAMO ASSY		1		1		1		
21	2	114351-78751	STATOR ASSY		1		1		1		
22	2	114351-78761	WHEEL, DYNAMO		1		1		1		
23	1	160710-78710	CLAMP, CORD		1		1		1		
24	1	26106-060122	BOLT M 6X 12 PLATED		1		1		1		
25	1	26476-060202	BOLT M 6X 20, TAPPING		3		3		3		
26	1	26577-060142	SCREW M 6X 14		3		3		3		
27	1	160970-77350	RECTIFIER		1		1		1		
28	1	26106-060122	BOLT M 6X 12 PLATED		1		1		1		
29	1	183350-77400	WIRE, LEAD		1		1		1		
30	1	26716-080002	NUT M 8		1		1		1		

