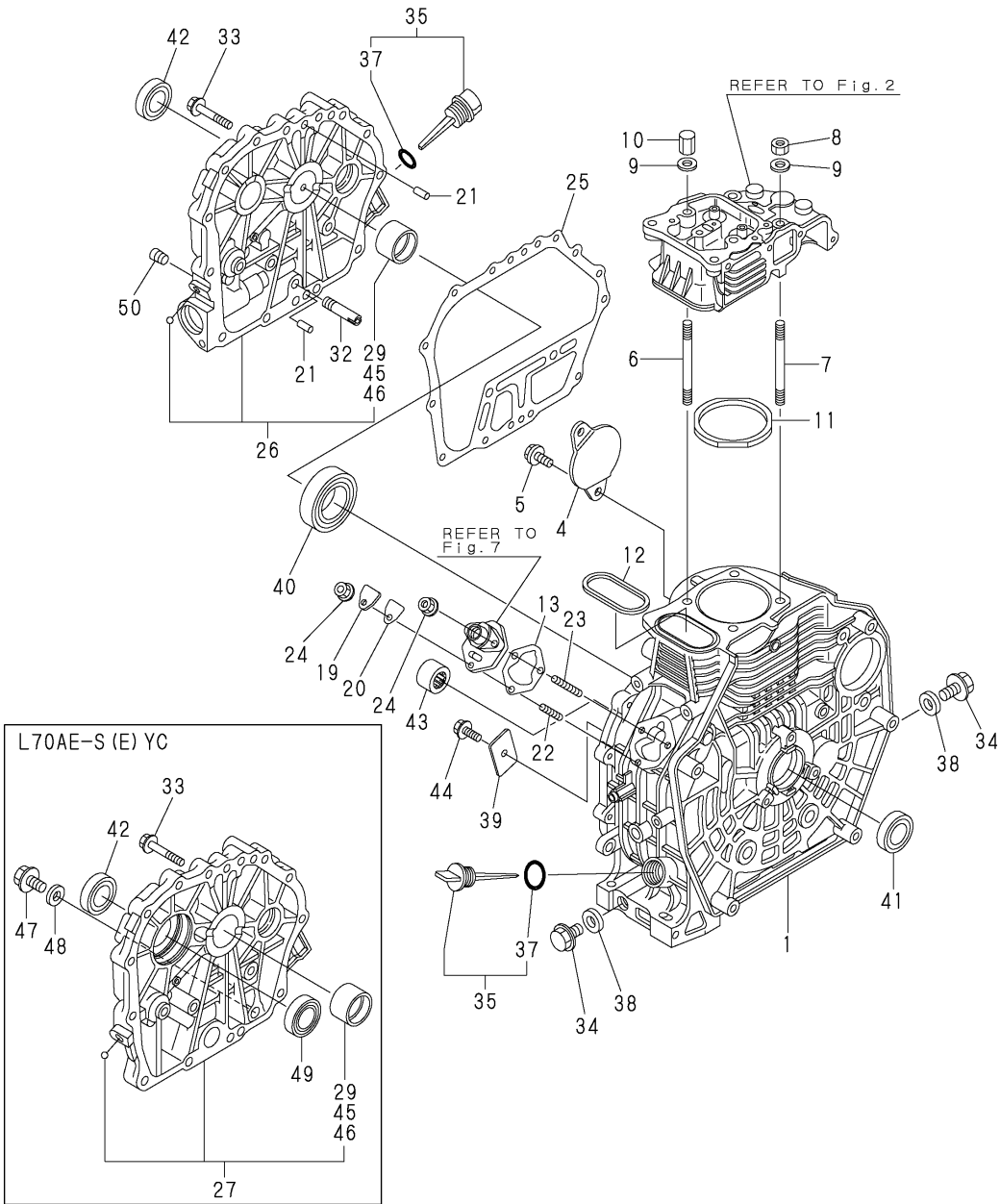


Fig.1.CYLINDER BLOCK



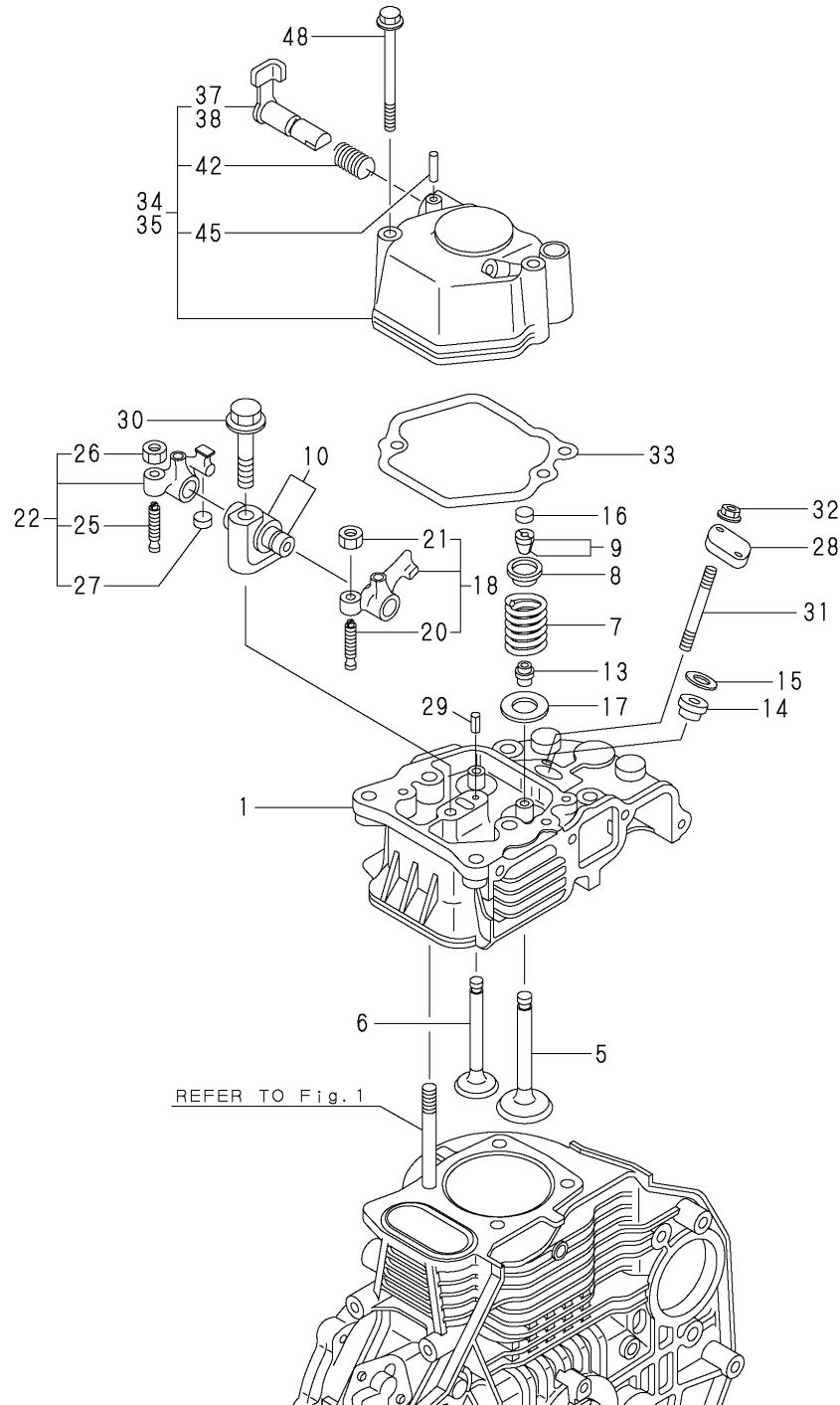
Remarks  
 (1)REPAIR PART.  
 (2)UNDER SIZED(U.S.=0.25)PART.  
 (3)UNDER SIZED(U.S.=0.50)PART.  
 (4)IT IS NOT USED FOR L70AE-SEYC.

(A)=L70AE-DYIC (D)=L70AE-DGYC  
 (B)=L70AE-DEYC (E)=L70AE-DVYC  
 (C)=L70AE-DEGYC (F)=L70AE-S(E)YC

REF.	LEV.	PARTS NO.	DESCRIPTION	QTY						I	R
				(A)	(B)	(C)	(D)	(E)	(F)		
1	1	114399-01050	BLOCK ASSY, CYLINDER	1	1	1	1	1	1		
4	1	114399-01700	COVER, STARTER	1			1	1	1	4	
5	1	26106-100122	BOLT M10X 12 PLATED	2			2	2	2	4	
6	1	114399-01200	STUD, CYL. HEAD	2	2	2	2	2	2		
7	1	114399-01210	STUD, CYL. HEAD	2	2	2	2	2	2		
8	1	114399-01220	NUT, CYLINDER HEAD A	2	2	2	2	2	2		
9	1	114399-01250	WASHER	4	4	4	4	4	4		
10	1	114399-01230	HEAD NUT(B)	2	2	2	2	2	2		
11	1	114399-01330	GASKET, CYL. HEAD	1	1	1	1	1	1		
12	1	114399-01380	O-RING	1	1	1	1	1	1		
13	1	114299-01800	SHIM SET	1	1	1	1	1	1		
19	1	114299-01830	COVER,(FO PUMP)	1	1	1	1	1	1		
20	1	114299-01840	GASKET	1	1	1	1	1	1		
21	1	114270-01600	PARALLEL PIN 8X12	2	2	2	2	2	2		
22	1	26226-060182	STUD M 6X 18 PLATED	1	1	1	1	1	1		
23	1	26226-060222	STUD M 6X 22 PLATED	2	2	2	2	2	2		
24	1	26366-060002	NUT M 6	3	3	3	3	3	3		
25	1	114399-01410	GASKET, CRANK CASE	1	1	1	1	1	1		
26	1	114399-01461	COVER,CRANK CASE E-D	1	1	1	1	1	1		
27	1	114350-01452	COVER (S),CRANK CASE							1	
29	2	114350-02100	BEARING, MAIN	1	1	1	1	1	1	1	1
32	1	114299-35150	PIPE, L.O. INLET	1	1	1	1	1	1		
33	1	26106-080352	BOLT M 8X 35 PLATED	15	15	15	15	15	15		
34	1	105425-01690	PLUG M16	2	2	2	2	2	2		
35	1	114699-01760	CAP, W/LUB.OIL GAUGE	2	2	2	2	2	2		
37	2	114299-01950	O-RING	2	2	2	2	2	2		
38	1	22190-160002	SEAL WASHER 16S	2	2	2	2	2	2		
39	1	114299-02030	RETAINER	1	1	1	1	1	1		
40	1	114350-02113	BALL BEARING	1	1	1	1	1	1		
41	1	114299-02220	SEAL, OIL	1	1	1	1	1	1		
42	1	114299-02220	SEAL, OIL	1	1	1	1	1	1		
43	1	24162-152112	NEEDLE BEARING	1	1	1	1	1	1		
44	1	26106-080122	BOLT M 8X 12 PLATED	1	1	1	1	1	1		
45	1	114350-02200	MAIN BEARING US=0.25	1	1	1	1	1	1	1	2
46	1	114350-02210	MAIN BEARING US=0.50	1	1	1	1	1	1	1	3
47	1	105425-01690	PLUG M16							1	
48	1	22190-160002	SEAL WASHER 16S							1	
49	1	24101-062060	BALL BEARING							1	
50	1	23876-010000	PLUG PT1/8,SCREW	1	1	1	1	1	1		

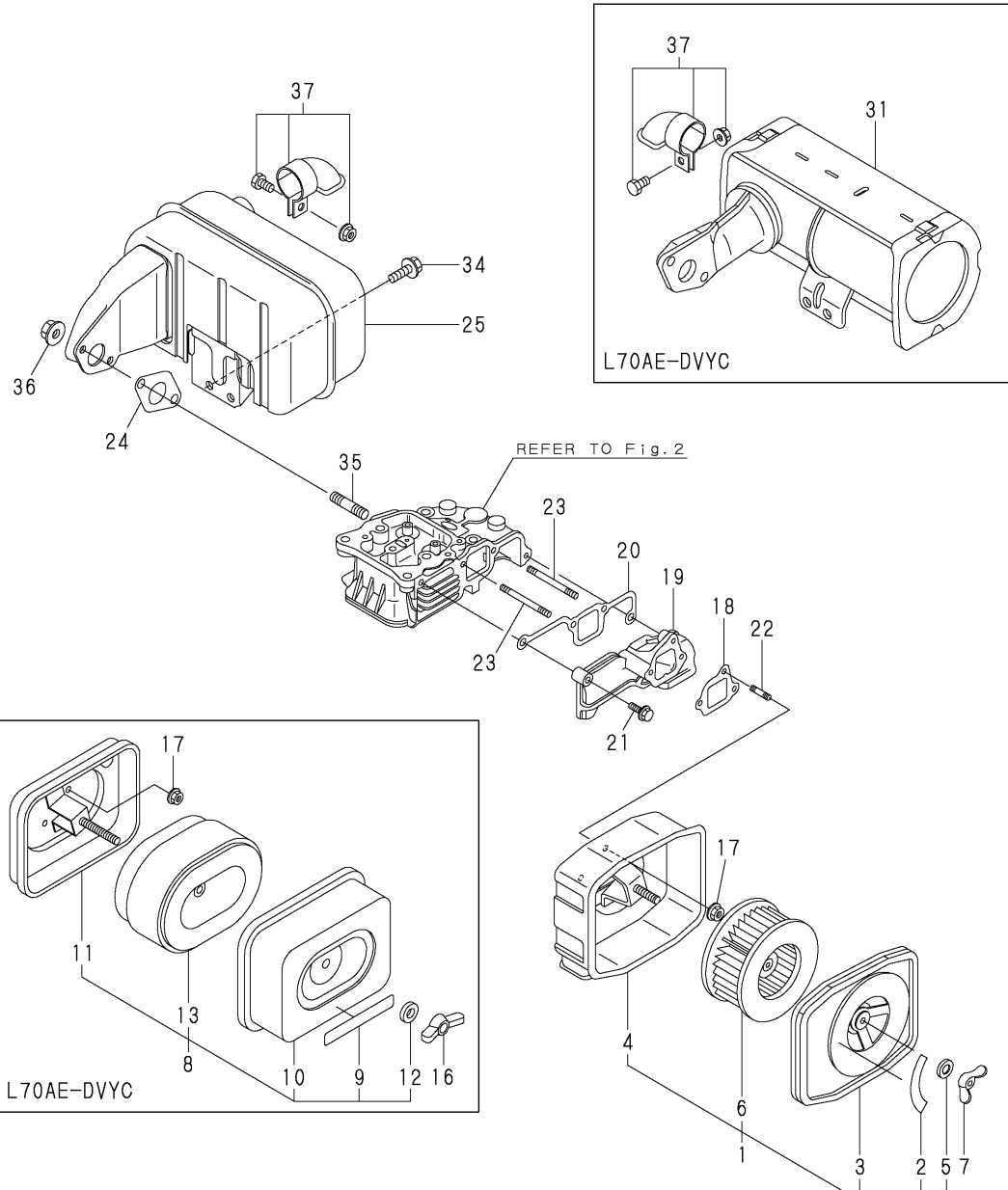
Fig.2.CYLINDER HEAD & BONNET

(A)=L70AE-DY C (D)=L70AE-DGY C  
 (B)=L70AE-DEY C (E)=L70AE-DVY C  
 (C)=L70AE-DEGY C (F)=L70AE-S(E)Y C



REF.	LEV.	PARTS NO.	DESCRIPTION	QTY						I	R
				(A)	(B)	(C)	(D)	(E)	(F)		
1	1	114870-11021	HEAD ASSY, CYLINDER	1	1	1	1	1	1		
5	1	114350-11101	VALVE, SUCTION	1	1	1	1	1	1		
6	1	114350-11113	VALVE, EXHAUST	1	1	1	1	1	1		
7	1	114399-11120	SPRING, VALVE	2	2	2	2	2	2		
8	1	101158-11180	RETAINER, SPRING	2	2	2	2	2	2		
9	1	27310-060001	COTTER ASSY	2	2	2	2	2	2		
10	1	114250-11290	SUPPORT, ROCKER ARM	1	1	1	1	1	1		
13	1	114350-11340	SEAL, VALVE STEM	2	2	2	2	2	2		
14	1	114250-11460	GASKET, NOZZLE	1	1	1	1	1	1		
15	1	114350-11470	SPACER, NOZZLE	1	1	1	1	1	1		
16	1	105010-11490	CAP, VALVE	1	1	1	1	1	1		
17	1	114250-11600	WASHER	2	2	2	2	2	2		
18	1	114250-11651	ARM ASSY, INTAKE	1	1	1	1	1	1		
20	2	114250-11240	SCREW, VALVE ADJUST.	1	1	1	1	1	1		
21	2	26856-060002	LOCK NUT 6	1	1	1	1	1	1		
22	1	714370-11660	ARM ASSY, EXHAUST	1	1	1	1	1	1		
25	3	114250-11240	SCREW, VALVE ADJUST.	1	1	1	1	1	1		
26	3	26856-060002	LOCK NUT 6	1	1	1	1	1	1		
27	2	105010-11490	CAP, VALVE	1	1	1	1	1	1		
28	1	114299-11901	RETAINER, NOZZLE	1	1	1	1	1	1		
29	1	22351-040008	SPRING PIN 4X 8	1	1	1	1	1	1		
30	1	26106-080452	BOLT M 8X 45 PLATED	1	1	1	1	1	1		
31	1	26226-060502	STUD M 6X 50	2	2	2	2	2	2		
32	1	26366-060002	NUT M 6	2	2	2	2	2	2		
33	1	114250-11311	GASKET, BONNET	1	1	1	1	1	1		
34	1	114299-11950	BONNET ASSY, HEAD	1	1	1	1	1	1		
35	1	114288-11950	BONNET ASSY, HEAD						1		
37	2	114250-03591	SHAFT ASSY, DECOMP.	1	1	1	1	1	1		
38	2	114288-03590	DECOMPRESSION ASSY						1		
42	2	114250-03640	SPRING	1	1	1	1	1	1		
45	2	22312-030160	PARALLEL PIN 3X16	1	1	1	1	1	1		
48	1	26106-060552	BOLT M 6X 55 PLATED	2	2	2	2	2	2		

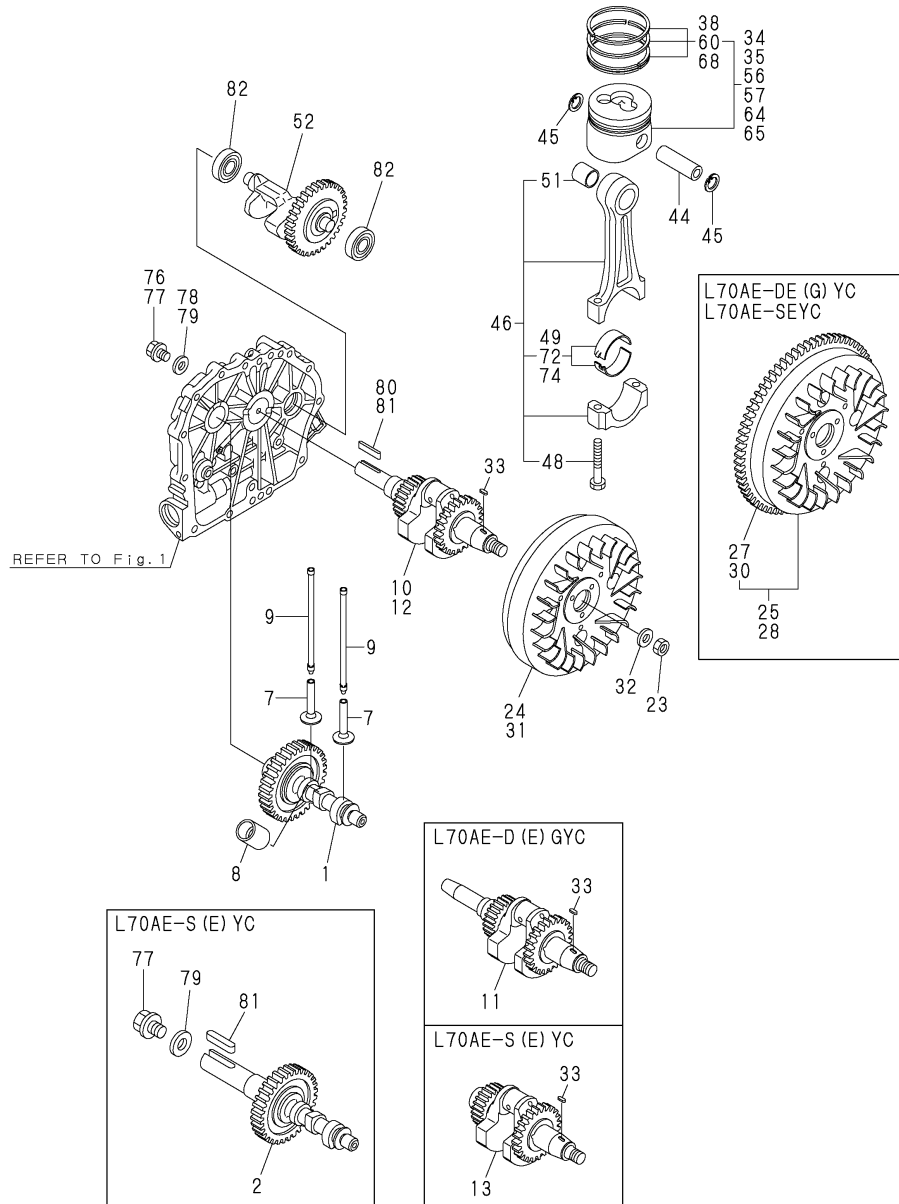
FIG.3.AIR CLEANER & MUFFLER



(A)=L70AE-DYC (D)=L70AE-DGYC  
 (B)=L70AE-DEYC (E)=L70AE-DVYC  
 (C)=L70AE-DEGYC (F)=L70AE-S(E)YC

REF.	LEV.	PARTS NO.	DESCRIPTION	QTY						I	R
				(A)	(B)	(C)	(D)	(E)	(F)		
1	1	114250-12570	CLEANER, AIR	1	1	1	1	1	1		
2	2	114770-07450	LABEL, AIR CLEANER	1	1	1	1			1	
3	2	114250-12520	COVER, AIR CLEANER	1	1	1	1			1	
4	2	114250-12530	CASE, AIR CLEANER	1	1	1	1			1	
5	2	114250-12560	WASHER M 6, SEAL	1	1	1	1			1	
6	2	114250-12581	ELEMENT, WET AIR	1	1	1	1			1	
7	1	114250-12550	WING-NUT, M 6	1	1	1	1			1	
8	1	114288-12511	CLEANER, AIR							1	
9	2	114650-07450	LABEL, AIR CLEANER							1	
10	2	114288-12520	COVER COMPL.							1	
11	2	114288-12531	CASE, AIR CLEANER							1	
12	2	114252-12560	WASHER M 8, SEAL							1	
13	2	114650-12591	ELEMENT ASSY							1	
16	1	114252-12550	WING-NUT, M 8							1	
17	1	114250-12300	U-NUT	3	3	3	3	3	3		
18	1	114299-12210	GASKET, AIR CLEANER	1	1	1	1	1	1	1	
19	1	114399-12010	PIPE, AIR INTAKE	1	1	1	1	1	1	1	
20	1	114399-12200	GASKET, INTAKE	1	1	1	1	1	1	1	
21	1	26106-060252	BOLT M 6X 25 PLATED	2	2	2	2	2	2	2	
22	1	26226-060142	STUD M 6X 14 PLATED	1	1	1	1	1	1	1	
23	1	26226-060552	STUD M6X 55 PLATED	2	2	2	2	2	2	2	
24	1	114299-13200	GASKET, MUFFLER	1	1	1	1	1	1	1	
25	1	114870-13551	MUFFLER ASSY	1	1	1	1	1	1	1	
31	1	114388-13600	EXHAUST, MUFFLER							1	
34	1	26106-060122	BOLT M 6X 12 PLATED	2	2	2	2	2	2	2	
35	1	26216-080182	STUD M 8X 18 PLATED	2	2	2	2	2	2	2	
36	1	26306-080002	NUT	2	2	2	2	2	2	2	
37	1	114299-13800	DEFLECTOR, (EXH)	1	1	1	1	1	1	1	

Fig.4.CRANKSHAFT.PISTON & CAMSHAFT



Remarks  
 (1)OVER SIZED(O.S.=0.25)PART.  
 (2)OVER SIZED(O.S.=0.50)PART.  
 (3)UNDER SIZED(U.S.=0.25)PART.  
 (4)UNDER SIZED(U.S.=0.50)PART.  
 (5)FOR L70AE-SEYC.  
 (6)FOR L70AE-SYC.

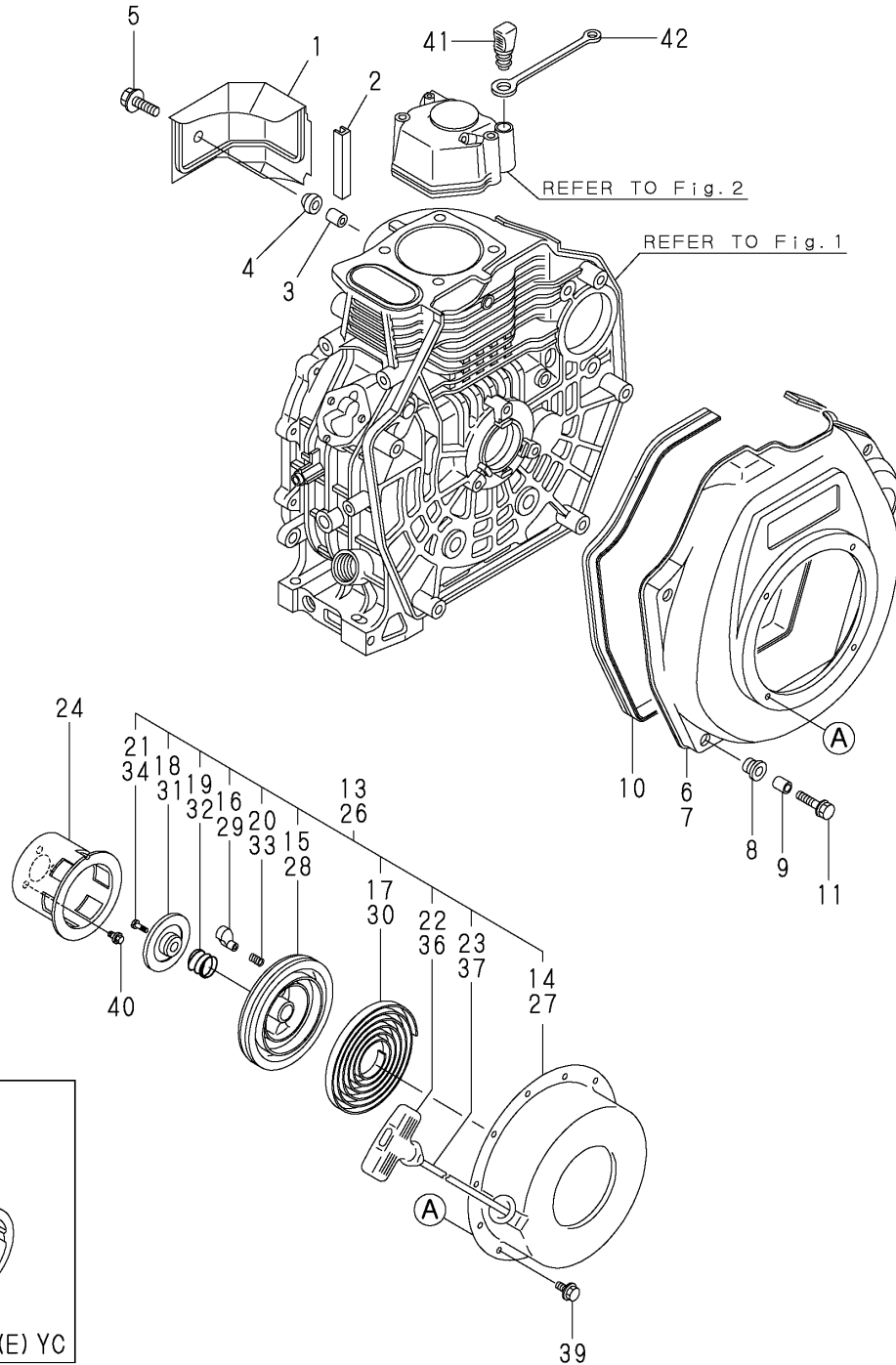
Y00R5510 4.CRANKSHAFT,PISTON & CAMSHAFT

(A)=L70AE-DYC (D)=L70AE-DGYC  
 (B)=L70AE-DEYC (E)=L70AE-DVYC  
 (C)=L70AE-DEGYC (F)=L70AE-S(E)YC

REF.	LEV.	PARTS NO.	DESCRIPTION	QTY						I	R
				(A)	(B)	(C)	(D)	(E)	(F)		
1	1	714399-14580	CAMSHAFT (D) ASSY	1	1	1	1	1			
2	1	714870-14670	CAMSHAFT (S) ASSY								1
7	1	114250-14200	TAPPET	2	2	2	2	2	2		
8	1	114771-14260	TAPPET,F.O.	1	1	1	1	1	1		
9	1	114350-14451	ROD, PUSH	2	2	2	2	2	2		
10	1	714368-21701	CRANKSHAFT ASSY	1	1						
11	1	714368-21741	CRANKSHAFT ASSY (DG			1	1				
12	1	714360-21740	CRANKSHAFT ASSY, D						1		
13	1	714350-21730	CRANKSHAFT ASSY, S								1
23	1	114299-21220	NUT	1	1	1	1	1	1	1	
24	1	114399-21400	FLYWHEEL, (D	1				1	1		
25	1	114399-21590	FLYWHEEL ASSY, DE		1	1					
27	2	114362-21600	GEAR, RING		1	1					
28	1	114399-21570	FLYWHEEL ASSY, SE								1
30	2	114351-21600	GEAR, RING								1
31	1	114399-21440	FLYWHEEL, S								1
32	1	114299-21550	WASHER, FLYWHEEL	1	1	1	1	1	1	1	
33	1	22512-040120	KEY 4X 12	1	1	1	1	1	1	1	
34	1	714880-22722	PISTON W/RINGS	1	1	1	1	1	1		
35	1	714870-22721	PISTON W/RINGS								1
38	2	714870-22502	RING SET, PISTON	1	1	1	1	1	1	1	
44	1	114399-22300	PISTON PIN	1	1	1	1	1	1	1	
45	1	22252-000210	CIRCLIP 21	2	2	2	2	2	2	2	
46	1	71438G-23700	ROD ASSY, CONNECTING	1	1	1	1	1	1	1	
48	2	118200-23200	BOLT,ROD	2	2	2	2	2	2	2	
49	2	714380-23600	BEARING, CRANK PIN	1	1	1	1	1	1	1	
51	2	114380-23100	BUSH, PISTON PIN	1	1	1	1	1	1	1	
52	1	714870-28511	SHAFT ASSY,BALANCER	1	1	1	1	1	1	1	
56	1	714880-22622	PISTON W/RING OS=.25	1	1	1	1	1	1		1
57	1	714870-22621	PISTON W/RING OS=.25								1
60	2	714870-22542	RING SET O.S=0.25	1	1	1	1	1	1	1	
64	1	714880-22582	PISTON W/RING OS=0.5	1	1	1	1	1	1		2
65	1	714870-22581	PISTON W/RING OS=0.5								1
68	2	714870-22552	RING SET O.S=0.50	1	1	1	1	1	1	1	2
72	1	714380-23610	BEARING,PIN(U.S=0.25	1	1	1	1	1	1	1	3
74	1	714380-23620	BEARING,PIN(U.S=0.50	1	1	1	1	1	1	1	4
76	1	160842-21250	BOLT 7/16-20UNF	1	1						
77	1	26106-080202	BOLT M 8X 20 PLATED						1	1	
78	1	160842-21260	WASHER	1	1						
79	1	160310-14550	WASHER						1	1	
80	1	160842-21150	KEY 6.3X50	1	1						
81	1	22512-070360	KEY 7X 36							1	1
82	1	24101-062020	BALL BEARING	2	2	2	2	2	2	2	

Fig.6.COOLING & STARTING DEVICE

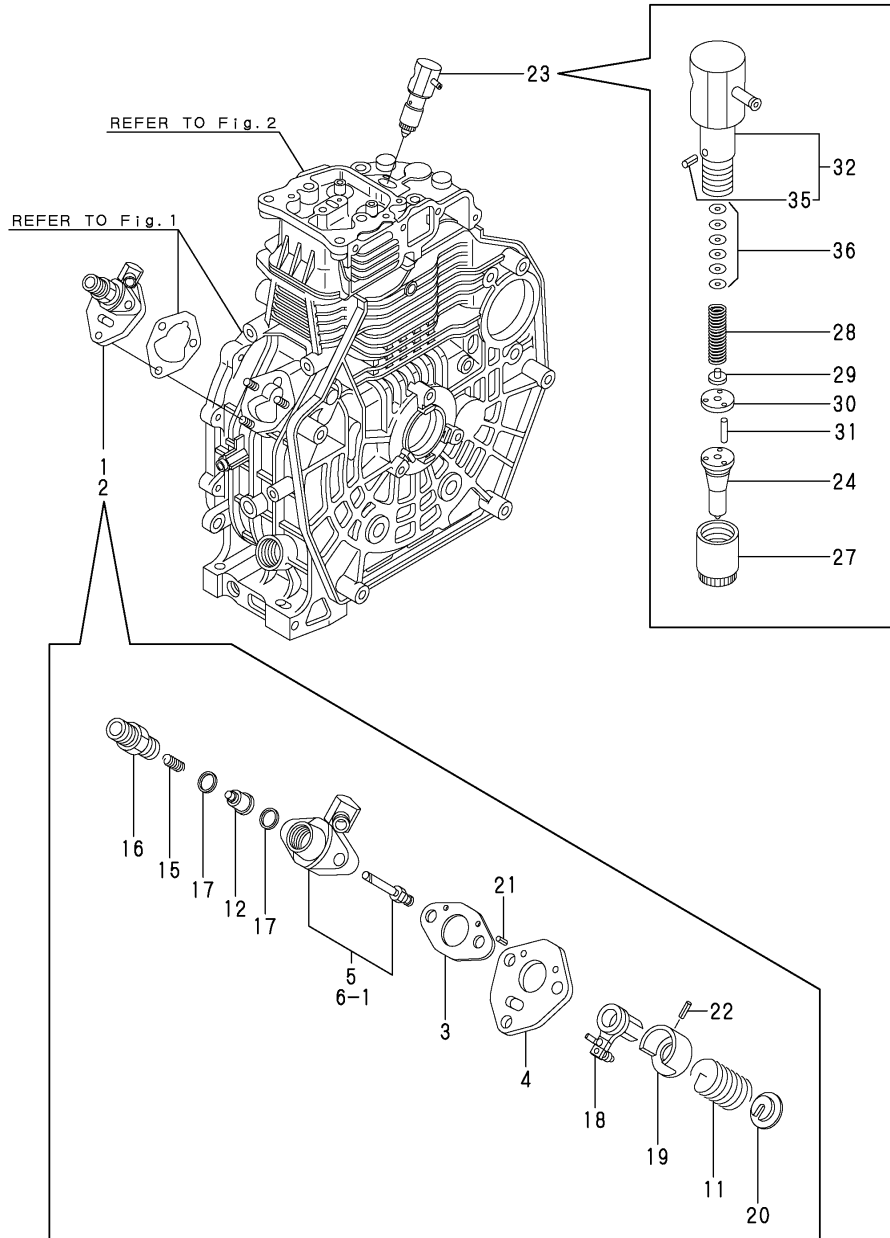
(A)=L70AE-DYC (D)=L70AE-DGYC  
 (B)=L70AE-DEYC (E)=L70AE-DVYC  
 (C)=L70AE-DEGYC (F)=L70AE-S(E)YC



REF.	LEV.	PARTS NO.	DESCRIPTION	QTY						I	R
				(A)	(B)	(C)	(D)	(E)	(F)		
1	1	114399-45210	COVER, SYLINDER	1	1	1	1	1	1		
2	1	114350-45320	RUBBER, SEAL	1	1	1	1	1	1		
3	1	114399-45340	COLLAR, CYL.COVER	1	1	1	1	1	1		
4	1	183720-55210	GROMMET	1	1	1	1	1	1		
5	1	26106-060202	BOLT M 6X 20 PLATED	1	1	1	1	1	1		
6	1	114399-45100	CASE D, COOLING FAN	1	1	1	1	1	1		
7	1	114870-45100	CASE,FAN(SILVER)(17)								1
8	1	114250-45301	RUBBER, CUSHION	4	4	4	4	4	4		4
9	1	114299-45310	COLLAR, FAN CASE	4	4	4	4	4	4		4
10	1	114250-45330	SEAL, FAN CASE	1	1	1	1	1	1		1
11	1	114370-45351	BOLT, FAN CASE	4	4	4	4	4	4		4
13	1	114399-76250	RECOIL STARTER(D)ASY	1	1	1	1	1	1		
14	2	114399-76510	CASE, STARTER	1	1	1	1	1	1		1
15	2	114399-76520	REEL, RECOIL	1	1	1	1	1	1		1
16	2	114399-76530	RATCHET	1	1	1	1	1	1		1
17	2	114399-76540	SPRING, SPIRAL	1	1	1	1	1	1		1
18	2	114399-76550	COVER, RATCHET	1	1	1	1	1	1		1
19	2	114399-76560	SPRING	1	1	1	1	1	1		1
20	2	114399-76570	SPRING, RETURN	1	1	1	1	1	1		1
21	2	114399-76580	SCREW	1	1	1	1	1	1		1
22	2	114399-76620	KNOB, STARTER	1	1	1	1	1	1		1
23	2	114399-76630	ROPE, STARTER	1	1	1	1	1	1		1
24	1	114399-76590	PULLEY, STARTER	1	1	1	1	1	1		1
26	1	114870-76251	STARTER ASSY, RECOIL								1
27	2	114870-76511	CASE, STARTER								1
28	2	114880-76520	REEL, RECOIL								1
29	2	114870-76530	RATCHET								2
30	2	114870-76540	SPRING, SPIRAL								1
31	2	114870-76550	GUIDE, RATCHET								1
32	2	114870-76560	SPRING, FRICTION								1
33	2	114870-76570	SPRING, RETURN								2
34	2	114870-76580	SET SCREW								1
36	2	114870-76620	KNOB, STARTER								1
37	2	114870-76630	ROPE, STARTER								1
38	1	114350-76591	PULLEY, STARTER								1
39	1	26106-060082	BOLT M 6X 8 PLATED	4	4	4	4	4	4		4
40	1	26106-060122	BOLT M 6X 12 PLATED	3	3	3	3	3	3		3
41	1	114299-76600	PLUNGER	1	1	1	1	1	1		1
42	1	114299-76610	HOLDER, PLUNGER	1	1	1	1	1	1		1

Fig.7.FUEL INJECTION PUMP & FUEL INJECTION VALVE

P/C NEWS No:Y00R5510-1  
PUBLISHED:2005/11

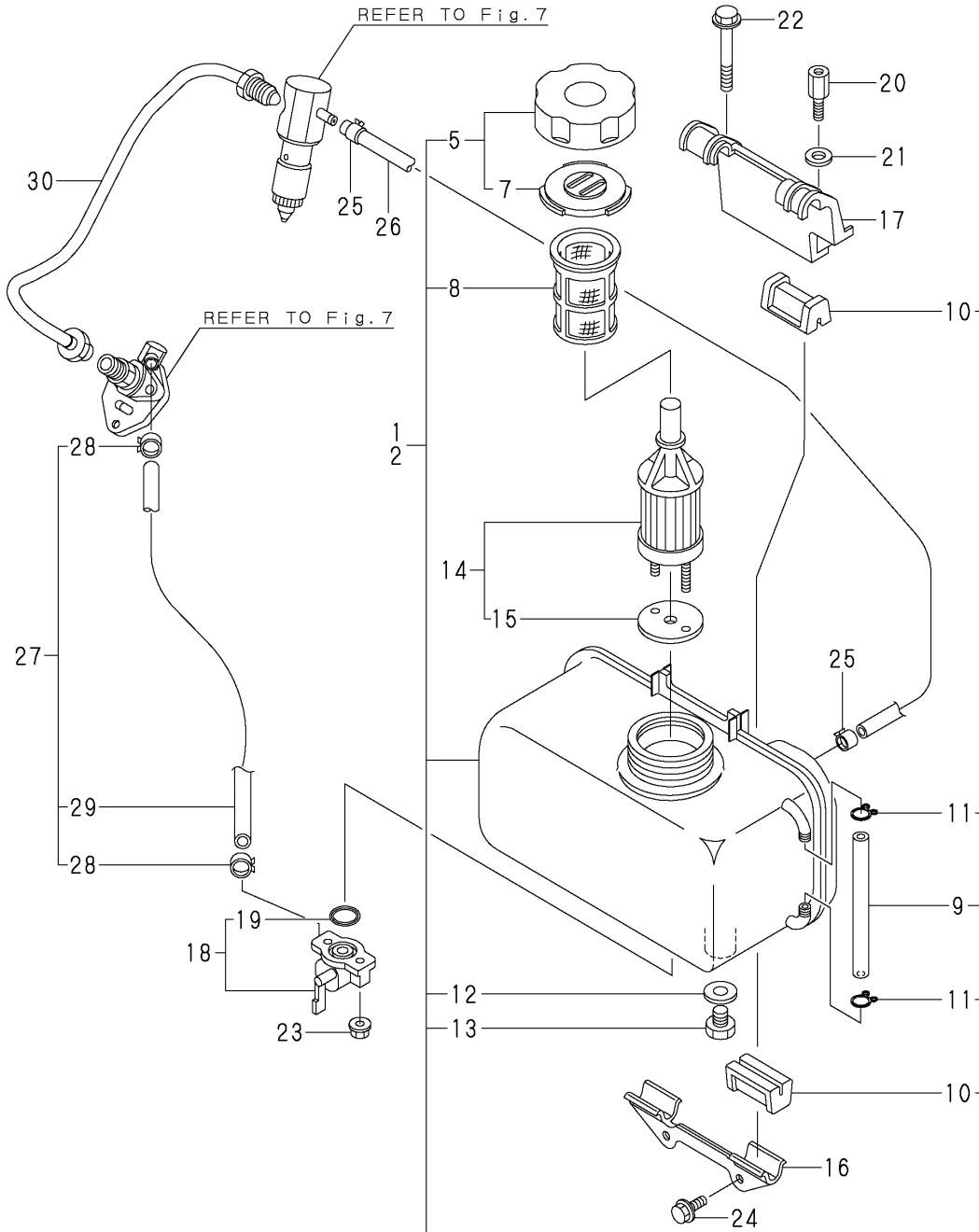


Y00R5510 7.FUEL INJECTION PUMP & FUEL INJECTION VALVE

(A)=L70AE-DYIC (D)=L70AE-DGYC  
(B)=L70AE-DEYC (E)=L70AE-DVYC  
(C)=L70AE-DEGYC (F)=L70AE-S(E)YC

REF.	LEV.	PARTS NO.	DESCRIPTION	QTY						I	R	
				(A)	(B)	(C)	(D)	(E)	(F)			
1	1	714870-51100	PUMP ASSY, F.INJECT.	1	1				1	1		
2	1	714882-51100	PUMP ASSY, F.INJECT			1	1					
3	2	105546-51020	GASKET	1	1	1	1	1	1	1		
4	2	114250-51080	PLATE	1	1	1	1	1	1	1		
5	2	114350-51200	BODY, F.I. PUMP	1	1					1	1	
6-1	2	114350-51200	BODY ASSY, F.I. PUMP			1	1					
11	2	114250-51160	SPRING	1	1	1	1	1	1	1		
12	2	114250-51300	VALVE ASSY, DELIVERY	1	1	1	1	1	1	1		
15	2	105546-51330	SPRING, DELIV. VALVE	1	1	1	1	1	1	1		
16	2	114250-51340	HOLDER, F.I.P.DELIVE	1	1	1	1	1	1	1		
17	2	124550-51350	GASKET, DELIVERY	2	2	2	2	2	2	2		
18	2	114250-51600	LEVER ASSY, CONTROL	1	1	1	1	1	1	1		
19	2	114250-51640	SEAT (A), SPRING	1	1	1	1	1	1	1		
20	2	114250-51650	SEAT (B), SPRING	1	1	1	1	1	1	1		
21	2	22351-020006	SPRING PIN 2X 6	2	2	2	2	2	2	2		
22	2	22351-030008	SPRING PIN 3X 8	1	1	1	1	1	1	1		
23	1	714870-53200	VALVE ASSY, F.INJECT	1	1	1	1	1	1	1		
24	2	114870-53100	NOZZLE ASSY,F.INJECT	1	1	1	1	1	1	1		
27	2	114250-53080	NUT, NOZZLE CASE	1	1	1	1	1	1	1		
28	2	114250-53120	SPRING, NOZZLE	1	1	1	1	1	1	1		
29	2	114250-53130	SEAT, NOZZLE SPRING	1	1	1	1	1	1	1		
30	2	114250-53140	PLATE, STOP	1	1	1	1	1	1	1		
31	2	114250-53210	PIN	2	2	2	2	2	2	2		
32	2	114250-53300	HOLDER ASSY, NOZZLE	1	1	1	1	1	1	1		
35	3	114250-53331	PIN, SPRING	1	1	1	1	1	1	1		
36	2	114250-53400	SHIM PACK	1	1	1	1	1	1	1		

Fig.8.FUEL TANK & FUEL PIPE

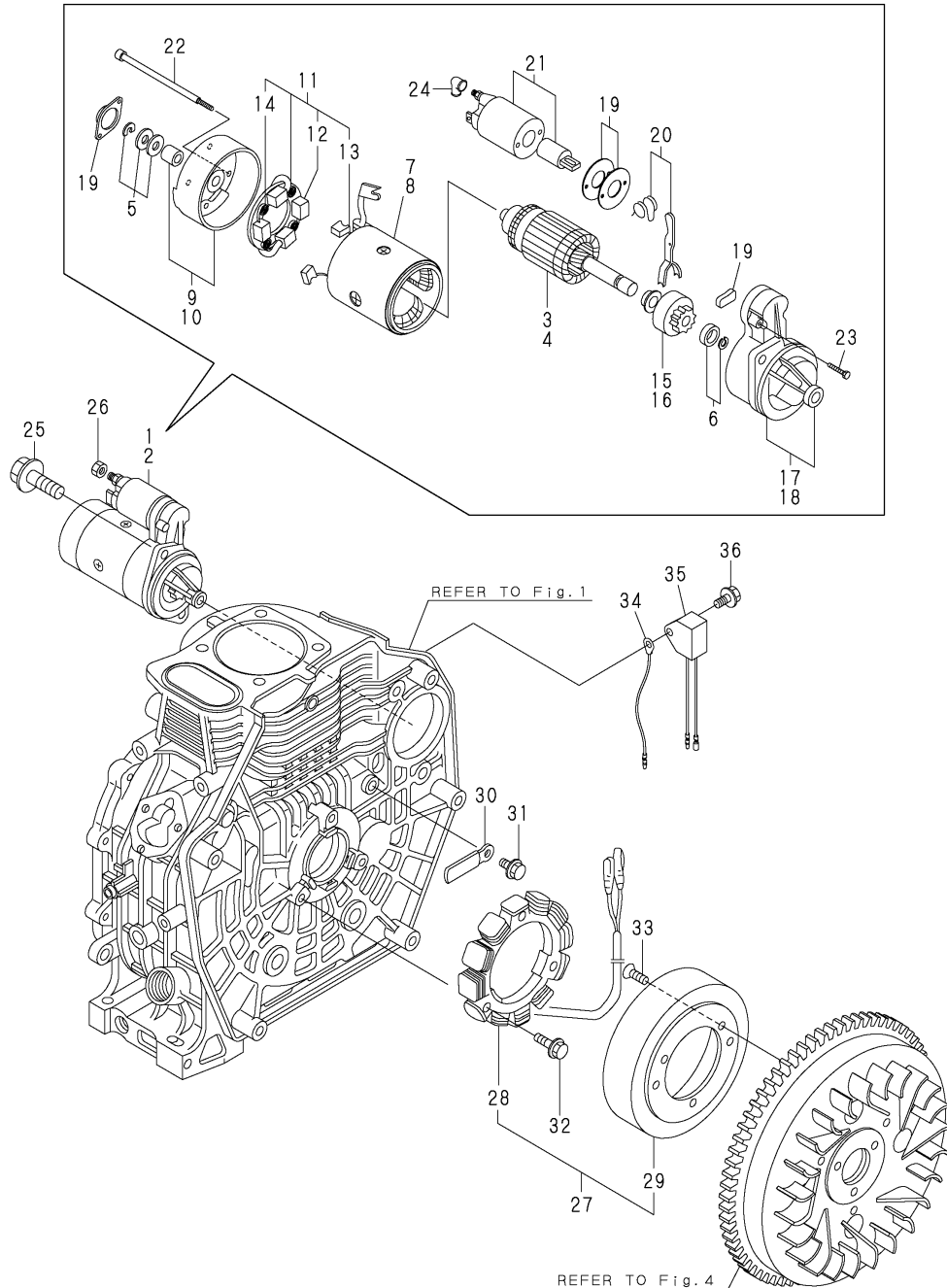


(A)=L70AE-DY C (D)=L70AE-DGY C  
 (B)=L70AE-DEY C (E)=L70AE-DVY C  
 (C)=L70AE-DEGY C (F)=L70AE-S(E)Y C

REF.	LEV.	PARTS NO.	DESCRIPTION	QTY						I	R
				(A)	(B)	(C)	(D)	(E)	(F)		
1	1	714350-55711	TANK,FUEL (RED)(50)	1	1	1	1				
2	1	714354-55710	TANK,FUEL (RED)(50)						1		
5	2	114288-55041	CAP ASSY, FUEL TANK	1	1	1	1	1	1	1	
7	3	114288-55081	VALVE	1	1	1	1	1	1	1	
8	2	114250-55100	FILTER, FUEL	1	1	1	1	1	1	1	
9	2	114350-55150	PIPE, GAUGE	1	1	1	1	1	1	1	
10	2	114250-55201	DAMPER, FUEL TANK	4	4	4	4	4	4	4	
11	2	103854-55220	CLAMP	2	2	2	2	2	2	2	
12	2	23414-080000	GASKET 8, ROUND	1	1	1	1	1	1	1	
13	2	105300-55080	PLUG, DRAIN	1	1	1	1	1	1	1	
14	1	114250-55121	FILTER, FUEL OIL	1	1	1	1	1	1	1	
15	2	114250-55130	GASKET	1	1	1	1	1	1	1	
16	1	114299-55210	STAY	1	1	1	1	1	1	1	
17	1	114399-55230	STAY (B)	1	1	1	1	1	1	1	
18	1	114250-55301	COCK	1	1	1	1	1	1	1	
19	2	24341-000150	O-RING 1A S-15.0	1	1	1	1	1	1	1	
20	1	114650-55810	BOLT, LIFTING	1	1	1	1	1	1	1	
21	1	22117-080000	WASHER 8	1	1	1	1	1	1	1	
22	1	26106-080452	BOLT M 8X 45 PLATED	1	1	1	1	1	1	1	
23	1	26366-060002	NUT M 6	2	2	2	2	2	2	2	
24	1	26476-060142	BOLT M 6X 14,TAPPING	2	2	2	2	2	2	2	
25	1	124722-59050	CLAMP 9	2	2	2	2	2	2	2	
26	1	114250-59060	PIPE, FUEL RETURN	1	1	1	1	1	1	1	
27	1	114770-59030	PIPE ASSY, FUEL OIL	1	1	1	1	1	1	1	
28	2	114270-59010	CLIP,HOSE	2	2	2	2	2	2	2	
29	2	114268-59061	PIPE, FUEL OIL	1	1	1	1	1	1	1	
30	1	114350-59800	PIPE, FUEL INJECTION	1	1	1	1	1	1	1	

Fig.9.STARTING MOTOR

(A)=L70AE-DYC (D)=L70AE-DGYC  
 (B)=L70AE-DEYC (E)=L70AE-DVYC  
 (C)=L70AE-DEGYC (F)=L70AE-S(E)YC

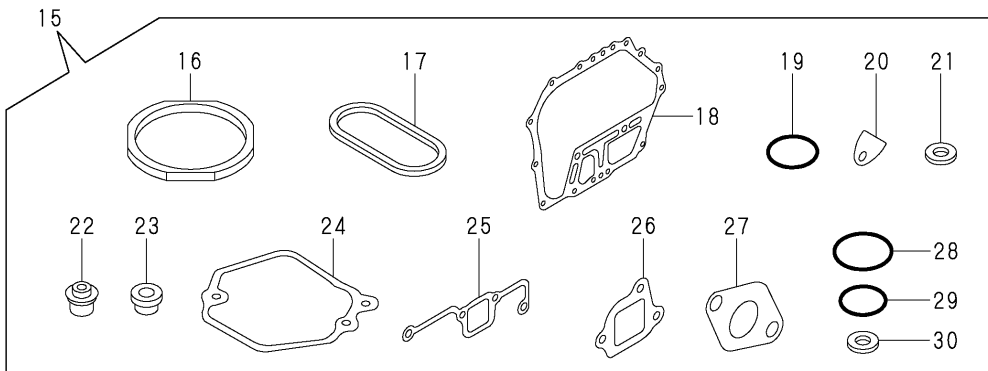
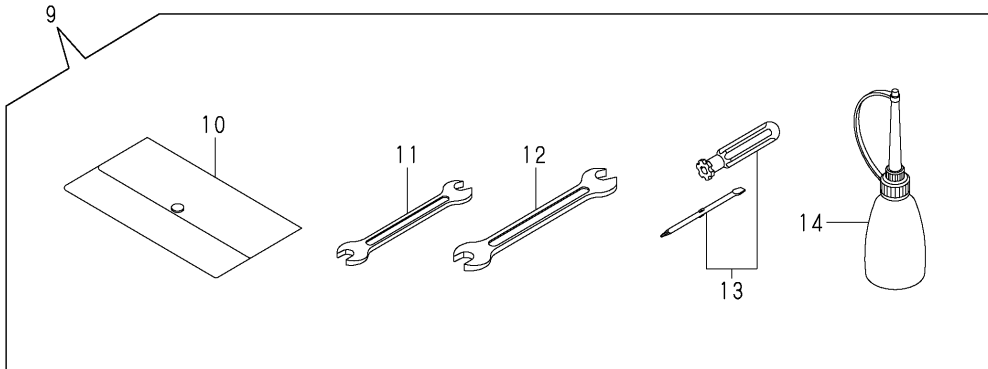
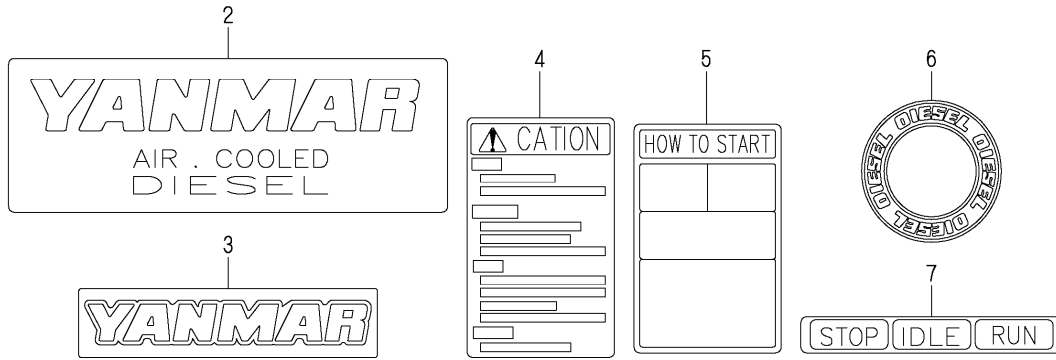


REF.	LEV.	PARTS NO.	DESCRIPTION	QTY						I	R
				(A)	(B)	(C)	(D)	(E)	(F)		
1	1	114362-77011	STARTER(S114-651A)		1	1					
2	1	114351-77011	STARTER (S114-413A)							1	1
3	2	114381-77110	ARMATURE		1	1					
4	2	114371-77110	ARMATURE							1	1
5	2	X2114811000	WASHER KIT, THRUST		1	1				1	1
6	2	X2114715500	STOPPER SET, PINION		1	1				1	1
7	2	114381-77130	COIL ASSY, FIELD		1	1					
8	2	114371-77130	COIL ASSY, FIELD							1	1
9	2	114381-77140	COVER, REAR		1	1					
10	2	114371-77140	COVER ASSY, REAR							1	1
11	2	114371-77160	HOLDER ASSY, BRUSH		1	1				1	1
12	3	114371-79040	BRUSH (-)		2	2				2	1
13	3	114371-79050	BRUSH (+)		1	1				1	1
14	3	114371-79060	SPRING, BRUSH		4	4				4	1
15	2	X211485016	PINION ASSY		1	1					
16	2	119226-77650	PINION ASSY							1	1
17	2	114381-77151	HOUSING ASSY, GEAR		1	1					
18	2	114371-77151	CASE ASSY,GEAR							1	1
19	2	114371-77170	COVER KIT, DUST		1	1				1	1
20	2	114371-77180	SHIFT LEVER KIT		1	1				1	1
21	2	124298-77020	SWITCH, MAGNET		1	1				1	1
22	2	124195-77770	THROUGH BOLT		2	2				2	1
23	2	114371-79070	BOLT M 6X 37		2	2				2	1
24	2	X2114274200	COVER, TERMINAL		1	1				1	1
25	1	26106-100302	BOLT M10X 30 PLATED		2	2				2	1
26	1	26716-080002	NUT M 8		1	1				1	1
27	1	114399-78250	DYNAMO ASSY, 1A		1	1				1	1
28	2	114399-78710	STATOR ASSY		1	1				1	1
29	2	114399-78720	WHEEL, DYNAMO		1	1				1	1
30	1	160710-78710	CLAMP, CORD		1	1				1	1
31	1	26106-060122	BOLT M 6X 12 PLATED		1	1				1	1
32	1	26106-060202	BOLT M 6X 20 PLATED		3	3				3	1
33	1	26577-060142	SCREW M 6X 14		3	3				3	1
34	1	183350-77400	WIRE, LEAD		1	1				1	1
35	1	160970-77350	RECTIFIER		1	1				1	1
36	1	26106-060122	BOLT M 6X 12 PLATED		1	1				1	1

Remarks  
 (1)IT IS NOT USED FOR L70AE-SYC.



FIG.10.TOOL.LABEL & GASKET SET



Remarks  
(1)OPTIONAL

(A)=L70AE-DYC (D)=L70AE-DGYC  
(B)=L70AE-DEYC (E)=L70AE-DVYC  
(C)=L70AE-DEGYC (F)=L70AE-S(E)YC

REF.	LEV.	PARTS NO.	DESCRIPTION	QTY						I	R
				(A)	(B)	(C)	(D)	(E)	(F)		
2	1	114299-07100	LABEL, AIR COOLED	1	1	1	1	1	1		
3	1	114299-07110	LABEL, YANMAR	1	1	1	1	1	1		
4	1	114299-07120	LABEL, CAUTION	1	1	1	1	1	1		
5	1	114299-07140	LABEL, HOW TO START	1	1	1	1	1	1		
6	1	114299-07160	LABEL, DIESEL	1	1	1	1	1	1		
7	1	183250-07230	LABEL, OPERATION			1	1	1			
9	1	114299-92590	TOOL ASSY	1	1	1	1	1	1		
10	2	114299-92600	TOOL BAG	1	1	1	1	1	1		
11	2	114299-92710	SPANNA	1	1	1	1	1	1		
12	2	114299-92720	SPANNA	1	1	1	1	1	1		
13	2	114299-92730	DRIVER	1	1	1	1	1	1		
14	2	114299-92740	FITTING, FUEL	1	1	1	1	1	1		
15	1	714399-92630	GASKET SET	1	1	1	1	1	1		1
16	2	114399-01330	GASKET, CYL. HEAD	1	1	1	1	1	1		
17	2	114399-01380	O-RING	1	1	1	1	1	1		
18	2	114399-01410	GASKET, CRANK CASE	1	1	1	1	1	1		
19	2	114299-01950	O-RING	1	1	1	1	1	1		
20	2	114299-01840	GASKET	1	1	1	1	1	1		
21	2	22190-160002	SEAL WASHER 16S	2	2	2	2	2	2		
22	2	114350-11340	SEAL, VALVE STEM	2	2	2	2	2	2		
23	2	114250-11460	GASKET, NOZZLE	1	1	1	1	1	1		
24	2	114250-11311	GASKET, BONNET	1	1	1	1	1	1		
25	2	114399-12200	GASKET, INTAKE	1	1	1	1	1	1		
26	2	114299-12210	GASKET, AIR CLEANER	1	1	1	1	1	1		
27	2	114299-13200	GASKET, MUFFLER	1	1	1	1	1	1		
28	2	114299-32570	O-RING, COVER	1	1	1	1	1	1		
29	2	24341-000150	O-RING 1A S-15.0	1	1	1	1	1	1		
30	2	23414-080000	GASKET 8, ROUND	1	1	1	1	1	1		