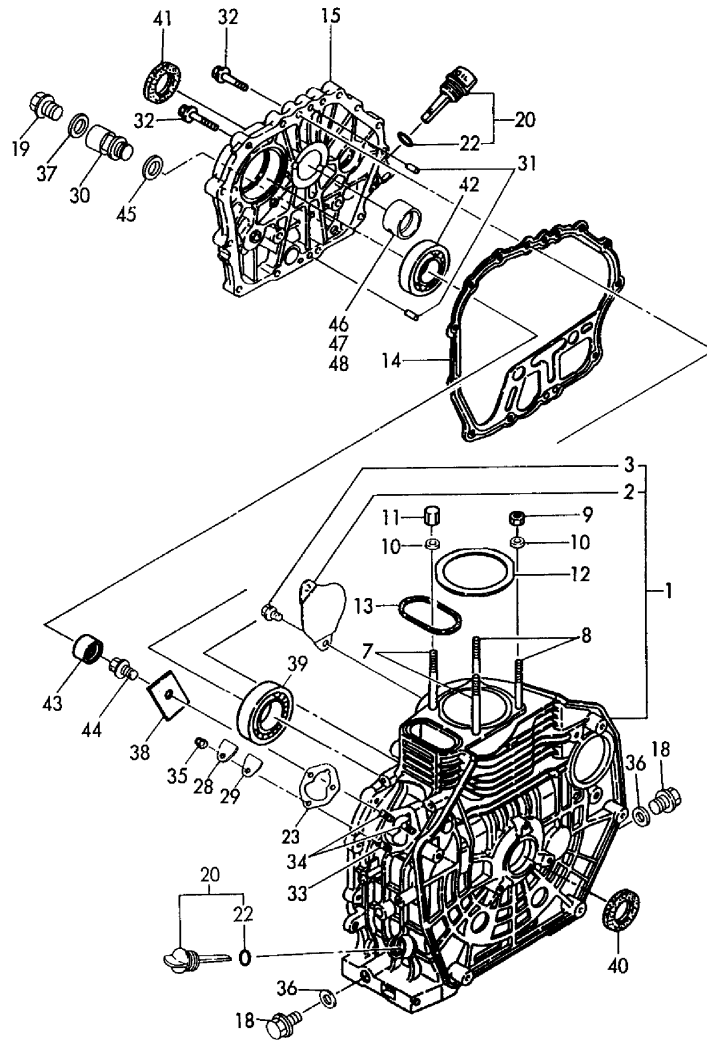


Fig.1. CYLINDER BLOCK

(A)=L70ASEFW (D)=
(B)= (E)=
(C)= (F)=

Fig. 1 シリンダブロック
CYLINDER BLOCK

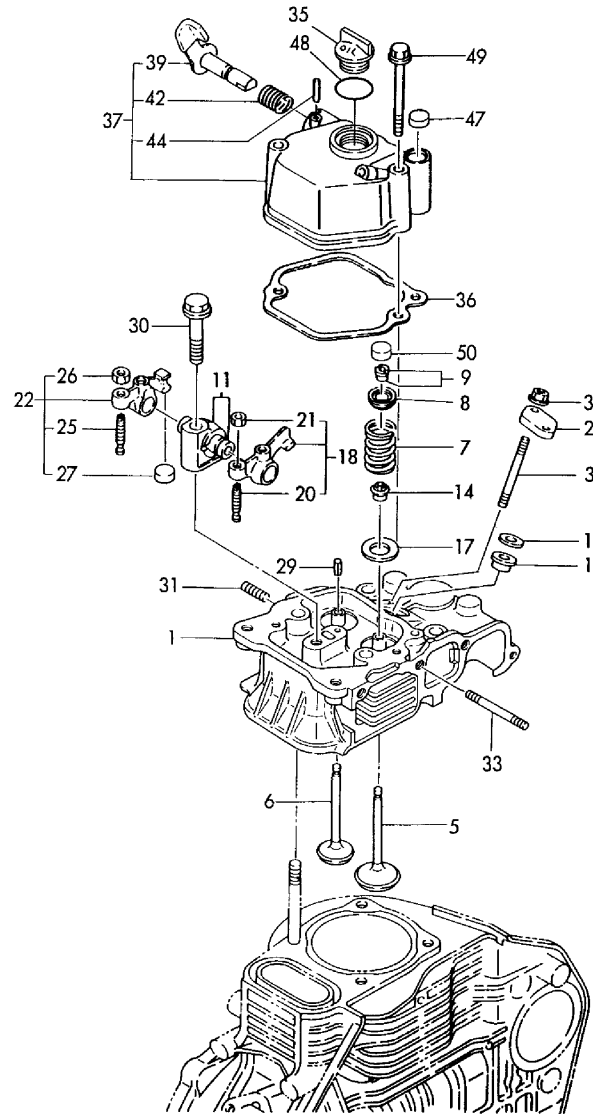


REF.	LEV.	PARTS NO.	DESCRIPTION	QTY						I	R
				(A)	(B)	(C)	(D)	(E)	(F)		
1	1	714871-01560	BLOCK ASSY, CYLINDER	1							
2	2	114350-01700	COVER, STARTER	1							
3	2	26106-100122	BOLT M10X 12 PLATED	2							
7	1	114350-01200	STUD, CYL. HEAD	2							
8	1	114350-01210	STUD, CYL. HEAD	2							
9	1	114350-01220	NUT 9	2							
10	1	105225-01240	WASHER	4							
11	1	114350-01250	NUT 9	2							
12	1	114870-01340	GASKET, CYL. HEAD	1							
13	1	114350-01380	O-RING	1							
14	1	114350-01412	GASKET, CRANK CASE	1							
15	1	114350-01452	COVER (S),CRANK CASE	1							
18	1	105425-01690	PLUG M16	2							
19	1	105425-01690	PLUG M16	1							
20	1	160910-01740	CAP, W/LUB.OIL GAUGE	2							
22	2	24311-000180	O-RING 1A P-18.0	2							
23	1	114250-01800	SHIM SET	1							
28	1	114250-01830	COVER, INSPEC.WINDOW	1							
29	1	114250-01840	GASKET	1							
29-1	1	114250-01841	GASKET	1							N
(A=E09052)											
30	1	183279-08350	NIPPLE, DRAIN	1							
31	1	22312-080120	PARALLEL PIN 8X12	2							
31-1	1	114270-01600	PARALLEL PIN 8X12	2							R
(A=E05251)											
32	1	26106-080352	BOLT M 8X 35 PLATED	15							
33	1	26226-060182	STUD M 6X 18 PLATED	1							
34	1	26226-060222	STUD M 6X 22 PLATED	2							
35	1	26366-060002	NUT M 6	3							
36	1	43400-500490	SEAL WASHER 16	2							
36-1	1	22190-160002	SEAL WASHER 16S	2							N
(A=E04485)											
37	1	43400-500490	SEAL WASHER 16	1							
37-1	1	22190-160002	SEAL WASHER 16S	1							N
(A=E04485)											
38	1	114250-02030	RETAINER, BEARING	1							
39	1	114350-02113	BALL BEARING	1							
40	1	160110-02220	SEAL, OIL	1							
41	1	160110-02220	SEAL, OIL	1							
42	1	24101-062060	BALL BEARING	1							
43	1	24162-152112	NEEDLE BEARING	1							
44	1	26106-080122	BOLT M 8X 12 PLATED	1							
45	1	43400-500490	SEAL WASHER 16	1							
45-1	1	22190-160002	SEAL WASHER 16S	1							N
(A=E04485)											
46	1	114350-02200	MAIN BEARING US=0.25	1							1
47	1	114350-02210	MAIN BEARING US=0.50	1							1
48	1	114350-02100	BEARING, MAIN	1							2

(A)=L70ASEFW (D)=
 (B)= (E)=
 (C)= (F)=

Fig.2. CYLINDER HEAD & BONNET

Fig. 2 シリンダヘッド&ボンネット
 CYLINDER HEAD & BONNET

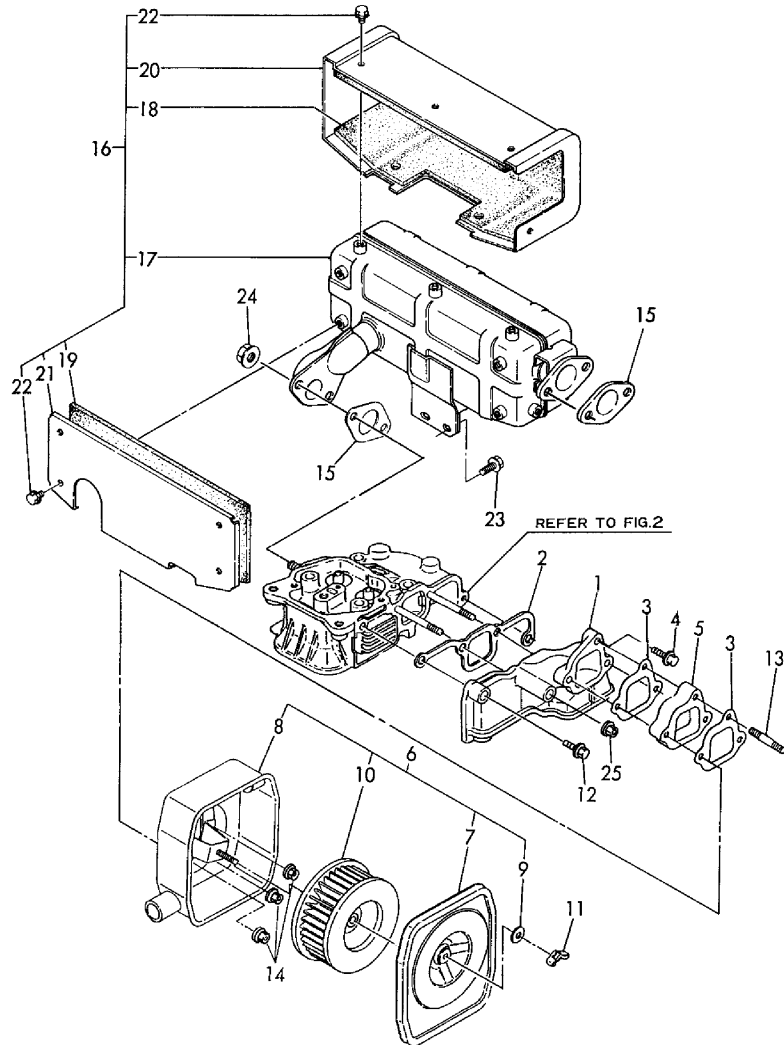


REF.	LEV.	PARTS NO.	DESCRIPTION	QTY						I	R
				(A)	(B)	(C)	(D)	(E)	(F)		
1	1	114870-11020	HEAD ASSY, CYLINDER	1							
1-1	1	114870-11021	HEAD ASSY, CYLINDER	1							N
(A=E13019)											
5	1	114350-11101	VALVE, SUCTION	1							
6	1	114350-11113	VALVE, EXHAUST	1							
7	1	114350-11120	SPRING, VALVE	2							
8	1	101158-11180	RETAINER, SPRING	2							
9	1	27310-060001	COTTER ASSY	2							
11	1	114250-11290	SUPPORT, ROCKER ARM	1							
14	1	114350-11340	SEAL, VALVE STEM	2							
15	1	114250-11460	GASKET, NOZZLE	1							
16	1	114350-11470	SPACER, NOZZLE	1							
17	1	114250-11600	WASHER	2							
18	1	114250-11651	ARM ASSY, INTAKE	1							
20	2	114250-11240	SCREW, VALVE ADJUST.	1							
21	2	26756-060002	LOCK NUT 6	1							
22	1	714370-11660	ARM ASSY, EXHAUST	1							
25	3	114250-11240	SCREW, VALVE ADJUST.	1							
26	3	26756-060002	LOCK NUT 6	1							
27	2	105010-11490	CAP, VALVE	1							
28	1	114250-11900	RETAINER, NOZZLE	1							
29	1	22351-040008	SPRING PIN 4X 8	1							
30	1	26106-080452	BOLT M 8X 45 PLATED	1							
31	1	26216-080182	STUD M 8X 18 PLATED	2							
32	1	26226-060502	STUD M 6X 50	2							
33	1	26226-060552	STUD M6X 55 PLATED	2							
34	1	26366-060002	NUT M 6	2							
35	1	124160-01751	CAP, LUB.OIL SUPPLY	1							
36	1	114250-11310	GASKET, BONNET	1							
36-1	1	114250-11311	GASKET, BONNET	1							N
(A=E09052)											
37	1	114254-11950	BONNET ASSY, HEAD	1							
39	2	114250-03591	SHAFT ASSY, DECOMP.	1							
42	2	114250-03640	SPRING	1							
44	2	22312-030160	PARALLEL PIN 3X16	1							
47	1	129100-61850	PLUG 12,BORE	1							
48	1	24321-000350	O-RING 1A G-35.0	2							
49	1	26106-060552	BOLT M 6X 55 PLATED	1							
50	1	105010-11490	CAP, VALVE	1							

Fig.3. AIR CLINER & MUFFLER

(A)=L70ASEFW (D)=
 (B)= (E)=
 (C)= (F)=

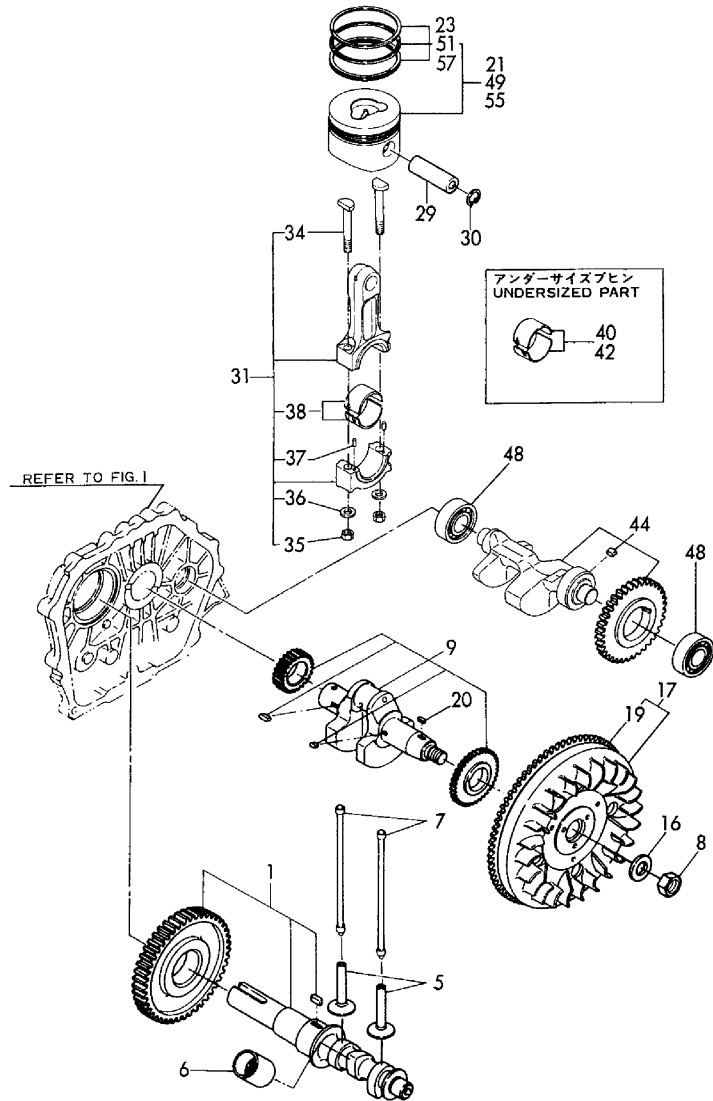
Fig.3 エアクリーナ&マフラ
 AIR CLEANER & MUFFLER



REF.	LEV.	PARTS NO.	DESCRIPTION	QTY						I	R
				(A)	(B)	(C)	(D)	(E)	(F)		
1	1	183368-12010	PIPE, AIR INTAKE	1							
2	1	114350-12201	GASKET, AIR INTAKE	1							
2-1	1	114350-12202	GASKET, AIR INTAKE	1							N
(A=E09052)											
3	1	114250-12210	GASKET, AIR CLEANER	2							
3-1	1	114250-12211	GASKET, AIR CLEANER	2							N
(A=E09052)											
4	1	26106-060302	BOLT M 6X 30 PLATED	1							
5	1	183250-12400	SPACER	1							
6	1	114883-12510	CLEANER, AIR	1							
7	2	114250-12520	COVER, AIR CLEANER	1							
8	2	114883-12530	CASE, AIR CLEANER	1							
9	2	114250-12560	WASHER M 6, SEAL	1							
10	2	114250-12580	ELEMENT, WET AIR	1							
11	1	114250-12550	WING-NUT, M 6	1							
12	1	26106-060252	BOLT M 6X 25 PLATED	1							
13	1	26226-060352	STUD M 6X 35 PLATED	3							
14	1	26366-060002	NUT M 6	3							
15	1	114250-13200	GASKET, MUFFLER	2							
15-1	1	114250-13201	GASKET (NON-ASB.)	1							N
(A=E09052)											
16	1	114883-13500	SILENCER	1							
17	2	114883-13510	SILENCER	1							
18	2	114883-13520	INSULATOR A	1							
19	2	114883-13530	INSULATOR B	1							
20	2	114883-13700	COVER, SILENCER	1							
20-1	2	114883-13701	COVER, MUFFLER	1							N
(A=E01518)											
21	2	114883-13750	COVER(DEV, MUFFLER	1							
22	2	26106-060082	BOLT M 6X 8 PLATED	9							
23	1	26106-060122	BOLT M 6X 12 PLATED	2							
24	1	26366-080002	NUT M 8	2							
25	1	26366-060002	NUT M 6	2							

Fig.4. CRANKSHAFT,PISTON & CAMSHAFT

Fig.4 クランクシャフト、ピストン&カムシャフト
CRANKSHAFT, PISTON & CAMSHAFT

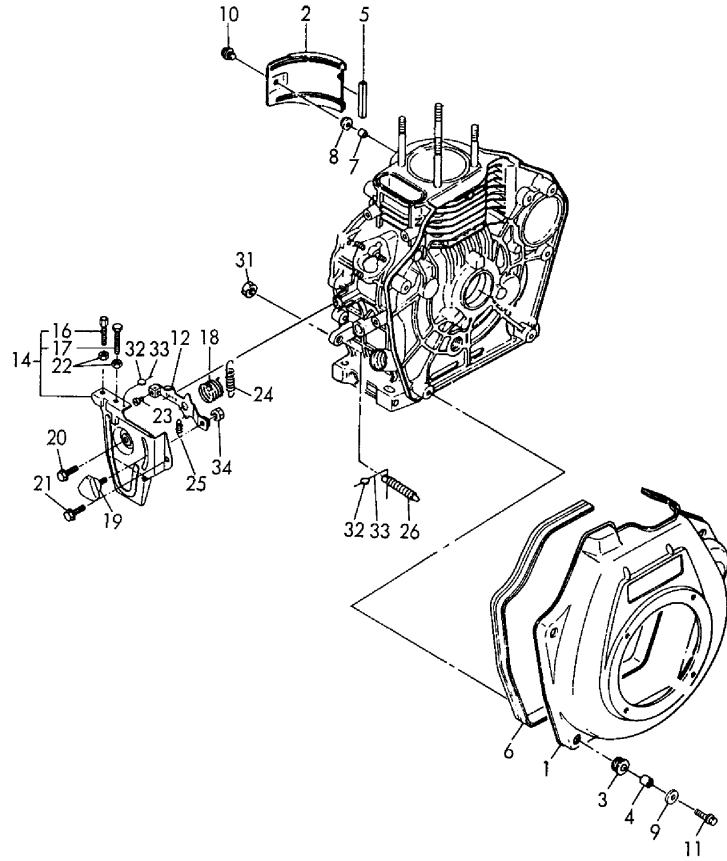


(A)=L70ASEFW (D)=
(B)= (E)=
(C)= (F)=

REF.	LEV.	PARTS NO.	DESCRIPTION	QTY						I	R
				(A)	(B)	(C)	(D)	(E)	(F)		
1	1	714870-14580	CAMSHAFT(S) ASSY.	1							
5	1	114250-14200	TAPPET	2							
6	1	114250-14260	TAPPET, FUEL	1							
7	1	114350-14450	ROD, PUSH	2							
8	1	103854-01221	NUT M16	1							
9	1	714350-21710	CRANKSHAFT ASSY	1							
16	1	114250-21550	WASHER, FLYWHEEL	1							
17	1	114871-21590	FLYWHEEL(SE) W/GEAR	1							
19	2	114351-21600	GEAR, RING	1							
20	1	22512-040120	KEY 4X 12	1							
21	1	714870-22700	PISTON W/RING	1							
23	2	714870-22500	RING SET, PISTON	1							
29	1	114350-22301	PIN, PISTON D=21	1							
30	1	22252-000210	CIRCLIP 21	2							
31	1	714350-23702	ROD ASSY.(PIN21.B25)	1							
34	2	114250-23200	BOLT, ROD	2							
35	2	114250-23220	NUT, ROD BOLT	2							
36	2	114250-23250	WASHER	2							
37	2	22312-030080	PARALLEL PIN 3X 8	2							
38	2	714350-23600	BEARING, CRANKPIN	1							
40	1	714350-23610	BEARING,PIN(U.S.=0.25)	1							1
42	1	714350-23620	BEARING,PIN(U.S.=0.50)	1							1
44	1	714350-28520	SHAFT ASSY,BALANCER	1							
48	1	24101-062024	BALL BEARING	2							
49	1	714870-22620	PISTON W/RING OS=.25	1							2
51	2	714870-22540	RING SET O.S.=0.25	1							2
55	1	714870-22580	PISTON W/RING OS=0.5	1							3
57	2	714870-22550	RING SET O.S.=0.50	1							3

Fig.5. COOLING & STARTING DEVICE

Fig. 5 レイキヤク&シドウソウチ
COOLING & STARTING DEVICE



Y00B4501 5. COOLING & STARTING DEVICE

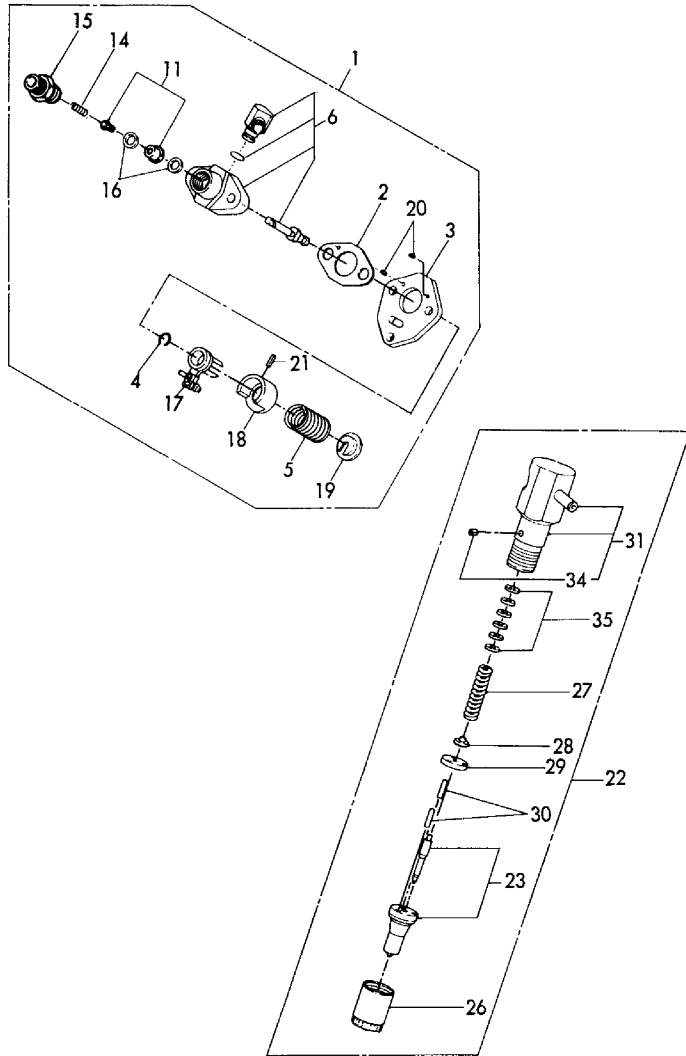
(A)=L70ASEFW (D)=
(B)= (E)=
(C)= (F)=

REF.	LEV.	PARTS NO.	DESCRIPTION	QTY						I	R
				(A)	(B)	(C)	(D)	(E)	(F)		
1	1	114870-45100	CASE,FAN(SILVER)(17)	1							
2	1	114870-45200	COVER, CYLINDER	1							
2-1	1	114870-45201	COVER	1							R
(A=E06779)											
3	1	114250-45300	SHOCK ABSORBER	5							
3-1	1	114250-45300	SHOCK ABSORBER	4							K
(A=E06398)											
3-2	1	114250-45301	RUBBER, CUSHION	4							N
(A=E24145)											
4	1	114250-45310	COLLAR	5							
4-1	1	114250-45310	COLLAR	4							K
(A=E06398)											
5	1	114350-45320	RUBBER, SEAL	1							
6	1	114250-45330	SEAL, FAN CASE	1							
7	1	114350-45340	COLLAR	1							
8	1	183720-55210	GROMMET	1							
9	1	160120-76940	WASHER	5							Z
(A=E04362)											
10	1	26476-060202	BOLT M 6X 20,TAPPING	1							
11	1	26476-060252	BOLT M 6X 25,TAPPING	5							
11-1	1	114370-45350	BOLT, FAN CASE	5							R
(A=E04362)											
11-2	1	114370-45350	BOLT, FAN CASE	4							K
(A=E06398)											
12	1	114250-66050	HANDLE, REGULATOR	1							
14	1	114268-66500	BRACKET ASSY,REGULAT	1							
16	2	114250-66440	BOLT, ADJUSTING	1							
17	2	102100-67080	BOLT, ADJUSTING	1							
18	1	114252-66252	SPRING, RETURN	1							
19	1	160725-78350	KNOB (W/M6X15)	1							
20	1	26106-060202	BOLT M 6X 20 PLATED	1							
21	1	26476-060142	BOLT M 6X 14,TAPPING	1							
22	1	26757-060002	LOCK NUT M 6 PLATED	2							
23	1	26117-040088	BOLT M 4X 8 PLATED	1							
24	1	114870-66010	SPRING, REGULATOR	1							
25	1	114250-66200	SPRING, RETURN	1							
26	1	114250-66550	TORQUE SPRING ASSY	1							
31	1	26696-100002	NUT M10	1							
32	1	135210-61090	LEAD	2							
33	1	22451-060000	WIRE 0.6	2							
34	1	26347-060002	U-NUT 6	1							

Fig.6. FUEL INJECTION DEVICE

(A)=L70ASEFW (D)=
 (B)= (E)=
 (C)= (F)=

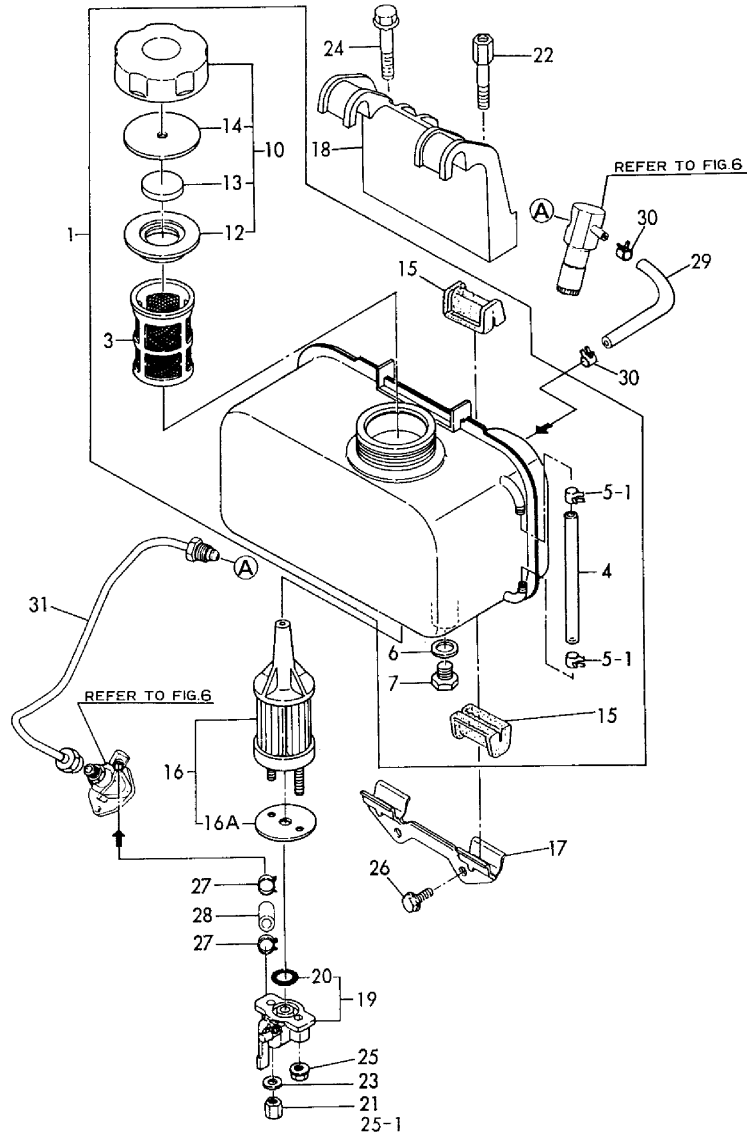
Fig.6 FOファンシャポンプ
 FUEL INJECTION PUMP



REF.	LEV.	PARTS NO.	DESCRIPTION	QTY						I	R
				(A)	(B)	(C)	(D)	(E)	(F)		
1	1	714870-51700	PUMP ASSY, F.INJECT	1							
1-1	1	783350-51701	PUMP ASSY, F.INJECT	1							R
		(A=E02242)									
2	2	105546-51020	GASKET	1							
3	2	114250-51080	PLATE	1							
4	2	114250-51150	RING, SNAP	1							Z
		(A=EXXX)									
5	2	114250-51160	SPRING	1							
6	2	114350-51200	BODY, F.I. PUMP	1							
6-1	2	183350-51200	BODY ASSY, F.I. PUMP	1							R
		(A=E02242)									
11	2	114250-51300	VALVE ASSY, DELIVERY	1							
14	2	105546-51330	SPRING, DELIV. VALVE	1							
15	2	114250-51340	HOLDER, F.I.P.DELIVE	1							
16	2	124550-51350	GASKET, DELIVERY	2							
17	2	114250-51600	LEVER ASSY, CONTROL	1							
18	2	114250-51640	SEAT (A), SPRING	1							
19	2	114250-51650	SEAT (B), SPRING	1							
20	2	22351-020006	SPRING PIN 2X 6	2							
21	2	22351-030008	SPRING PIN 3X 8	1							
22	1	714870-53100	VALVE ASSY, F.INJECT	1							
23	2	114870-53000	NOZZLE ASSY,F.INJECT	1							
26	2	114250-53080	NUT, NOZZLE CASE	1							
27	2	114250-53120	SPRING, NOZZLE	1							
28	2	114250-53130	SEAT, NOZZLE SPRING	1							
29	2	114250-53140	PLATE, STOP	1							
30	2	114250-53210	PIN	2							
31	2	114250-53300	HOLDER ASSY, NOZZLE	1							
34	3	114250-53331	PIN, SPRING	1							
35	2	114250-53400	SHIM PACK	1							

Fig.7. FUEL TANK & FUEL LINE

Fig.7 FOタンク&FOパイプ
FUEL TANK & FUEL LINE



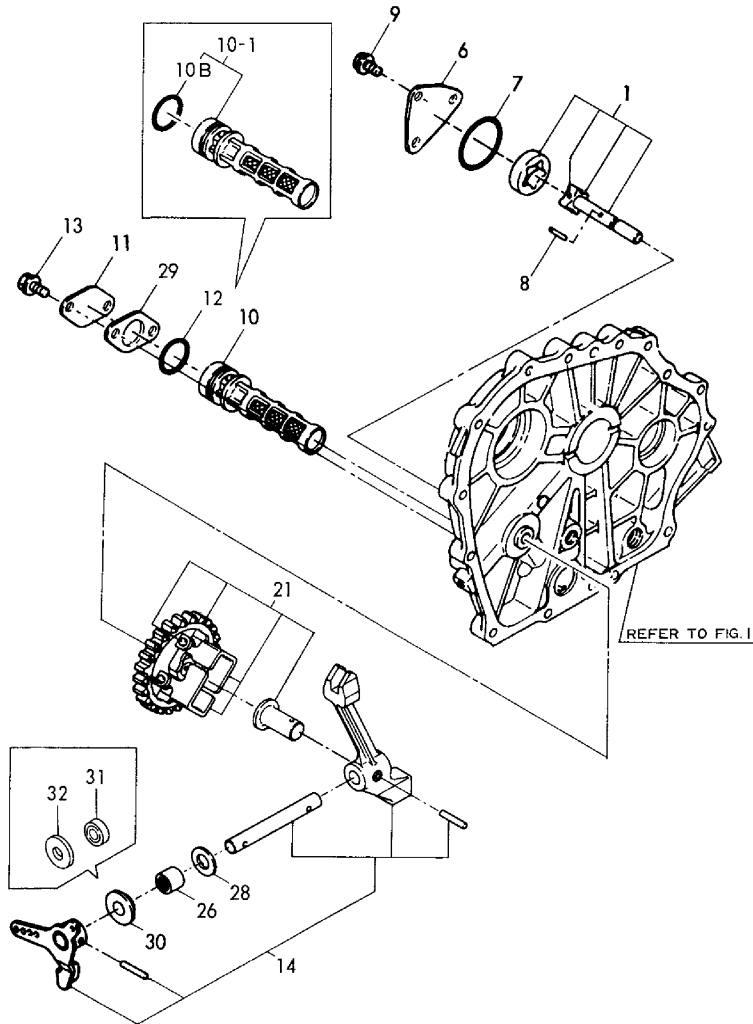
(A)=L70ASEFW (D)=
(B)= (E)=
(C)= (F)=

REF.	LEV.	PARTS NO.	DESCRIPTION	QTY						I	R
				(A)	(B)	(C)	(D)	(E)	(F)		
1	1	714650-55701	TANK, FUEL (RED)(50)	1							
3	2	114250-55100	FILTER, FUEL	1							
4	2	114650-55150	PIPE, GAUGE	1							
5	2	124722-59050	CLAMP 9	2							M
5-1	2	103854-55220	CLAMP	2							
6	2	23414-120000	GASKET 12, ROUND	1							
7	2	23887-120002	PLUG 12,HEX.	1							
10	2	114250-55041	CAP ASSY, TANK	1							
12	3	114250-55050	GASKET, TANK CAP	1							
13	3	114250-55060	SEAL	1							
14	3	114250-55080	SHEET, FUEL CAP	1							
15	2	114250-55201	DAMPER, FUEL TANK	4							
16	1	114650-55120	FILTER, FUEL OIL	1							
16-1	1	114250-55121	FILTER, FUEL OIL	1							N
(A=E07390)											
16A	2	114250-55130	GASKET	1							W
(A=E07390)											
17	1	114250-55211	STAY (A)	1							
18	1	114350-55240	STAY(B), FUEL TANK	1							
19	1	114250-55300	COCK ASSY, FUEL	1							
20	2	24341-000150	O-RING 1A S-15.0	1							
21	1	114252-55800	NUT	1							Z
(A=E05469)											
22	1	114650-55810	BOLT, LIFTING	1							
23	1	22117-060000	WASHER 6	1							Z
(A=E05469)											
24	1	26106-080452	BOLT M 8X 45 PLATED	1							
25	1	26366-060002	NUT M 6	1							
25-1	1	26366-060002	NUT M 6	2							K
(A=E05469)											
26	1	26476-060142	BOLT M 6X 14,TAPPING	2							
27	1	106990-44660	BAND, HOSE	2							
28	1	114250-59050	PIPE, FUEL OIL	1							
28-1	1	114252-59050	PIPE, FUEL OIL	1							N
(A=EXXX)											
29	1	114250-59060	PIPE, FUEL RETURN	1							
30	1	124722-59050	CLAMP 9	2							
31	1	114350-59800	PIPE, FUEL INJECTION	1							

Fig.8. LUB. OIL PUMP & GOVERNOR

(A)=L70ASEFW (D)=
 (B)= (E)=
 (C)= (F)=

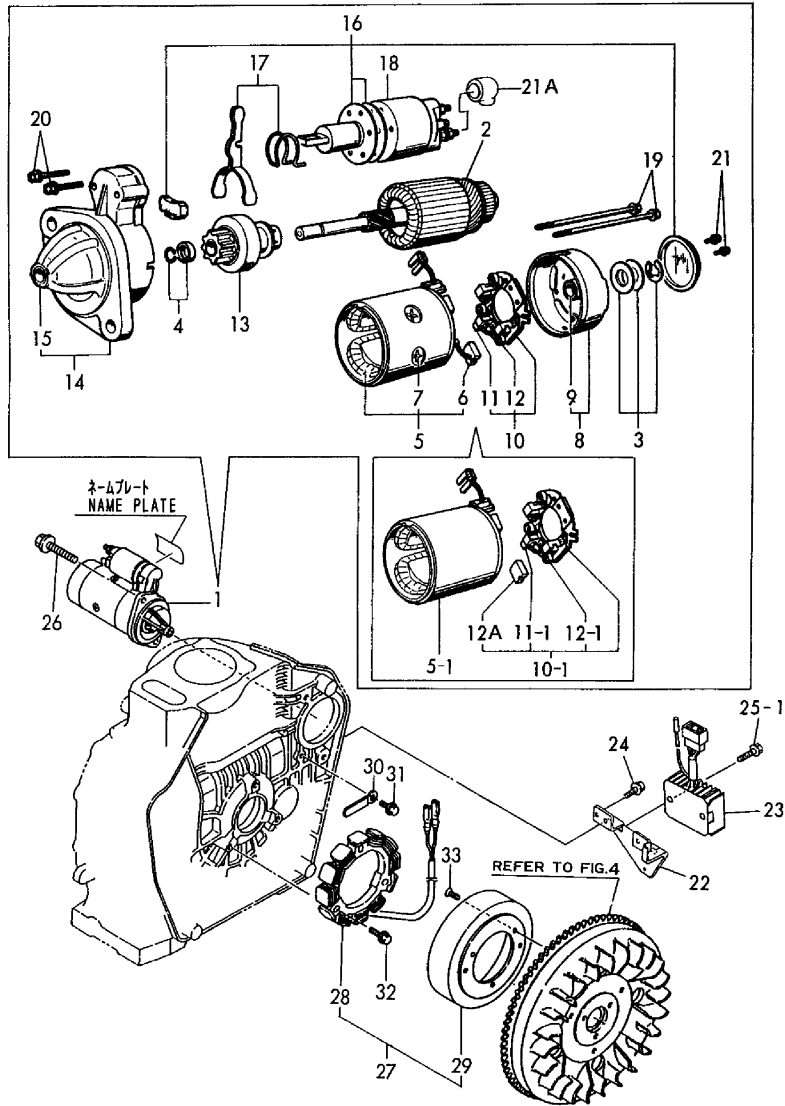
Fig.8 LOポンプ&ガバナ
 LUB. OIL PUMP & GOVERNOR



REF.	LEV.	PARTS NO.	DESCRIPTION	QTY						I	R
				(A)	(B)	(C)	(D)	(E)	(F)		
1	1	114250-32010	PUMP ASSY, LUB.OIL	1							
6	1	114250-32070	COVER, LUB. OIL PUMP	1							
7	1	103338-32570	O-RING	1							
8	1	22312-030160	PARALLEL PIN 3X16	1							
9	1	26476-060142	BOLT M 6X 14,TAPPING	3							
10	1	114250-35060	STRAINER, LUB. OIL	1							
10-1	1	114250-35100	STRAINER, LUB OIL	1							N
	(A=EXXX)										
10B	2	24341-000224	O-RING 1A S-22.4	1							W
	(A=EXXX)										
11	1	114250-35250	COVER	1							
12	1	24341-000224	O-RING 1A S-22.4	1							Z
	(A=EXXX)										
13	1	26106-060122	BOLT M 6X 12 PLATED	2							
14	1	714350-61500	LEVER ASSY, GOVERNOR	1							
21	1	714770-61700	GOVERNOR ASSY	1							
26	1	121450-61520	NEEDLE BEARING FJ810	2							
26-1	1	114270-61520	NEEDLE BEARING FJ810	2							R
	(A=E01645)										
28	1	22137-080000	WASHER 8, POLISHED	1							
28-1	1	114770-61190	WASHER	1							N
	(A=E09052)										
29	1	114250-35270	GASKET, L.O.STRAINER	1							
29-1	1	114250-35271	GASKET, STRAINER	1							N
	(A=E09052)										
30	1	114250-61900	BUSH, THRUST	1							Z 1
	(A=E01518)										
31	1	114770-61600	SEAL, OIL	1							W
	(A=E01518)										
32	1	114770-61610	WASHER, THRUST	1							W
	(A=E01518)										

Fig.9. STARTING MOTOR & DYNAMO

Fig. 9 スタータモーター & ダイナモ
STARTING MOTOR & DYNAMO



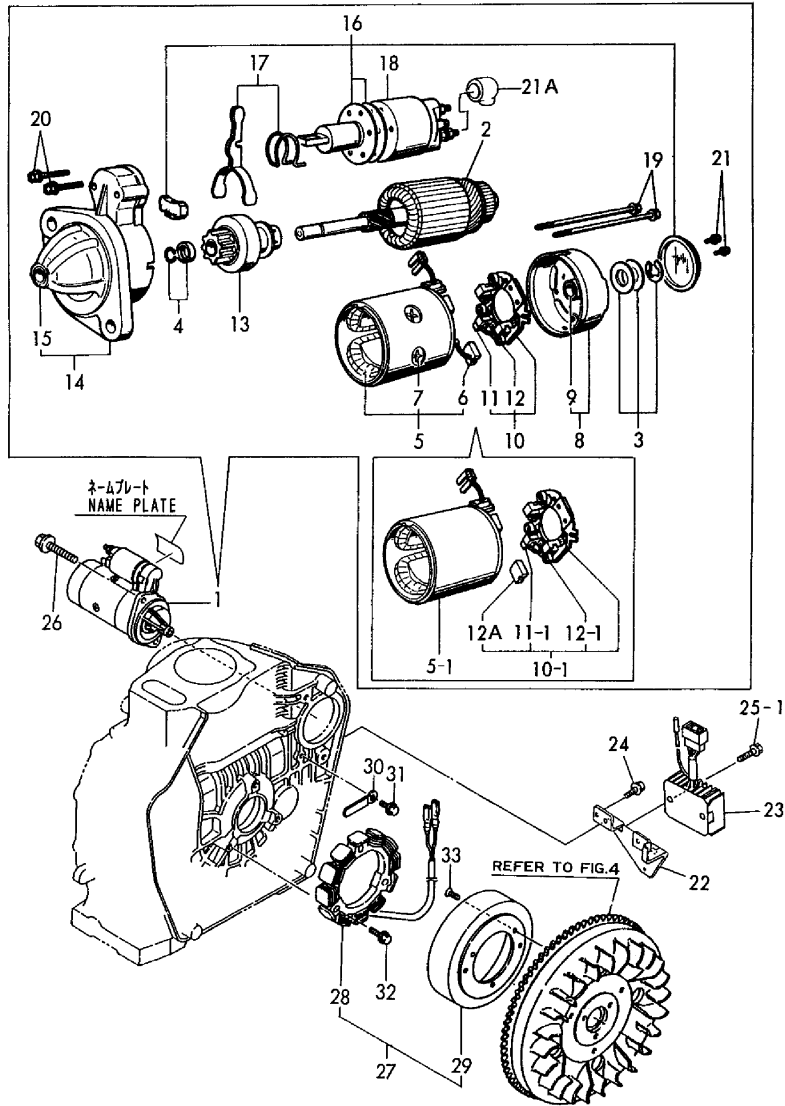
(A)=L70ASEFW (D)=
(B)= (E)=
(C)= (F)=

REF.	LEV.	PARTS NO.	DESCRIPTION	QTY						I	R
				(A)	(B)	(C)	(D)	(E)	(F)		
1	1	114351-77010	STARTER MOTOR (S)	1							
1-1	1	114351-77011 (A=E04485)	STARTER (S114-413A)	1							R
2	2	X211461008	ARMATURE	1							
2-1	2	114371-77110 (A=E04485)	ARMATURE	1							S 1
3	2	X21148110	WASHER SET, THRUST	1							
3-1	2	X2114811000 (A=E04485)	WASHER KIT, THRUST	1							R
4	2	X21147155	STOPPER SET, PINION	1							
4-1	2	X2114715500 (A=E04485)	STOPPER SET, PINION	1							R
5	2	X211412105	COIL ASSY, FIELD	1							
5-1	2	114371-77130 (A=E04485)	COIL ASSY, FIELD	1							S
6	3	X21145312 (A=E04485)	BRUSH (+)	2							Z
7	3	X21143215 (A=E04485)	SCREW, CORE	4							Z
8	2	X211473002	COVER, REAR	1							
8-1	2	114371-77140 (A=E04485)	COVER ASSY, REAR	1							S 1
9	3	X21145352 (A=E04485)	METAL	1							Z
10	2	X211489001	HOLDER ASSY, BRUSH	1							
10-1	2	114371-77160 (A=E04485)	HOLDER ASSY, BRUSH	1							S
11	3	X21148313	BRUSH (-)	1							
11-1	3	114371-79040 (A=E04485)	BRUSH (-)	1							S
12	3	X21149314	SPRING, BRUSH	3							
12-1	3	114371-79060 (A=E04485)	SPRING, BRUSH	4							S
12A	3	114371-79050 (A=E04485)	BRUSH (+)	1							W
13	2	X211445504	PINION ASSY	1							
13-1	2	119226-77650 (A=E04485)	PINION ASSY	1							R
14	2	X211416603	HOUSING ASSY, GEAR	1							
14-1	2	114371-77150 (A=E04485)	CASE ASSY, GEAR	1							S 1
15	3	X21145352 (A=E04485)	METAL	1							Z
16	2	X211478006	COVER KIT, DUST	1							
16-1	2	114371-77170 (A=E04485)	COVER KIT, DUST	1							S 1
17	2	X211456013	LEVER KIT SHIFT	1							
17-1	2	X2114560130 (A=E04485)	LEVER KIT, SHIFT	1							R
18	2	X211427501	SWITCH, MAGNETIC	1							
18-1	2	X2114275010 (A=E04485)	SWITCH ASSY, MAGNET	1							R
19	2	X211468005	THROUGH BOLT	2							
19-1	2	124195-77770	BOLT, THROUGH	2							R

++ CONTINUE ++

Fig.9. STARTING MOTOR & DYNAMO

Fig. 9 スタータモーター & ダイナモ
STARTING MOTOR & DYNAMO



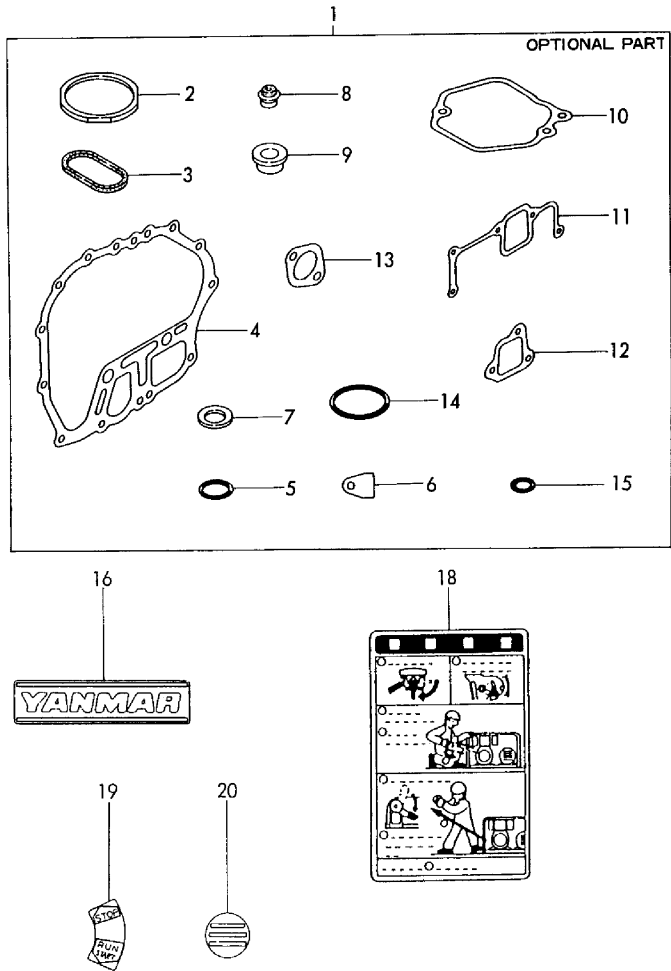
Y00B4501 9. STARTING MOTOR & DYNAMO

(A)=L70ASEFW (D)=
(B)= (E)=
(C)= (F)=

REF.	LEV.	PARTS NO.	DESCRIPTION	QTY						I	R
				(A)	(B)	(C)	(D)	(E)	(F)		
		(A=E04485)									
20	2	X21145867	BOLT 6		2						
20-1	2	114371-79070	BOLT M 6X 37		2						S 1
		(A=E04485)									
21	2	X21142835	SCREW SET		1						Z
		(A=E04485)									
21A	2	X2114274200	COVER, TERMINAL		1						W
		(A=E04485)									
22	1	114385-77400	BRACKET		1						
23	1	171008-77710	LIMITER, CURRENT		1						
24	1	26106-060122	BOLT M 6X 12 PLATED		2						
25	1	26106-060202	BOLT M 6X 20 PLATED		2						M
25-1	1	26106-060302	BOLT M 6X 30 PLATED		2						
26	1	26106-100302	BOLT M10X 30 PLATED		2						
27	1	114351-78290	DYNAMO ASSY (12V-15A)		1						
28	2	114351-78830	STATOR ASSY,(132.1MM)		1						
29	2	114351-78840	WHEEL (STATOR132.1MM)		1						
30	1	160710-78710	CLAMP, CORD		1						
31	1	26476-060142	BOLT M 6X 14,TAPPING		1						
32	1	26476-060202	BOLT M 6X 20,TAPPING		3						
33	1	26577-060142	SCREW M 6X 14		3						

Fig.10. LABEL & GASKET SET(OPTIONAL)

Fig. 10 ラベル&パッキンセット(オプション)
 LABEL & GASKET SET
 (OPTIONAL)



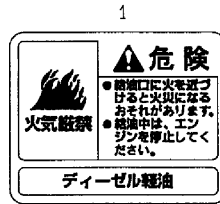
Y00B4501 10. LABEL & GASKET SET(OPTIONAL)

(A)=L70ASEFW (D)=
 (B)= (E)=
 (C)= (F)=

REF.	LEV.	PARTS NO.	DESCRIPTION	QTY						I	R
				(A)	(B)	(C)	(D)	(E)	(F)		
1	1	714873-92600	GASKET SET	1							
2	2	114870-01340	GASKET, CYL. HEAD	1							
3	2	114350-01380	O-RING	1							
4	2	114350-01412	GASKET, CRANK CASE	1							
5	2	24311-000180	O-RING 1A P-18.0	2							
6	2	114250-01840	GASKET	1							
6-1	2	114250-01841	GASKET	1							N
		(A=E09052)									
7	2	43400-500490	SEAL WASHER 16	2							
7-1	2	22190-160002	SEAL WASHER 16S	2							N
		(A=E04485)									
8	2	114350-11340	SEAL, VALVE STEM	2							
9	2	114250-11460	GASKET, NOZZLE	1							
10	2	114250-11310	GASKET, BONNET	1							
10-1	2	114250-11311	GASKET, BONNET	1							N
		(A=E09052)									
11	2	114350-12201	GASKET, AIR INTAKE	1							
11-1	2	114350-12202	GASKET, AIR INTAKE	1							N
		(A=E09052)									
12	2	114250-12210	GASKET, AIR CLEANER	1							
12-1	2	114250-12211	GASKET, AIR CLEANER	1							N
		(A=E09052)									
13	2	114250-13200	GASKET, MUFFLER	1							
13-1	2	114250-13201	GASKET (NON-ASB.)	1							N
		(A=E09052)									
14	2	103338-32570	O-RING	1							
15	2	24341-000224	O-RING 1A S-22.4	1							
16	1	114250-07110	LABEL, YANMAR	1							
16-1	1	114250-07111	LABEL, YANMAR	1							N
		(A=E08804)									
18	1	114250-07240	LABEL, CAUTION	1							Z
		(A=E08804)									
19	1	114250-07260	LABEL, OPERATION	1							Z
		(A=E08804)									
20	1	114250-07300	LABEL	1							Z
		(A=E08804)									

Fig.11. SAFETY LABEL

1 1 ラベル (アンゼン)
LABEL (SAFETY)



※ 貼付位置は取扱説明書を参照ください。

Y00B4501 11. SAFETY LABEL

(A)=L70ASEFW (D)=
(B)= (E)=
(C)= (F)=

REF.	LEV.	PARTS NO.	DESCRIPTION	QTY						I	R
				(A)	(B)	(C)	(D)	(E)	(F)		
1	1	1D1831-91200 (A=E08804)	DANGER,NO FIRE	1							W
2	1	1A2260-87100 (A=E08804)	WARNING,EXH.GAS	1							W