

PARTS MANUAL

Model

EY20

ENGINE

PUB-EP5705A
Rev. 03/00

Robin America, Inc.

940 Lively Blvd. • Wood Dale, IL 60191 • Phone: 630-350-8200 • Fax: 630-350-8212
e-mail: sales@robinamerica.com • www.robinamerica.com

© Copyright 2000 Robin America, Inc.

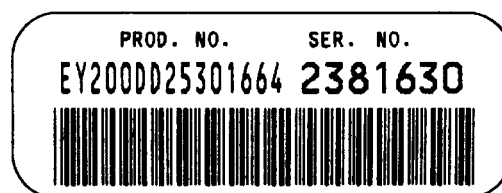
HOW TO USE THIS MANUAL

Robin engines are identified by MODEL, SPECIFICATION, and CODE NUMBER. For each model there may be many different versions called specifications. Each specification will be unique in some way. The difference may only be the paint color or it may have a different type of PTO or some other significant difference.

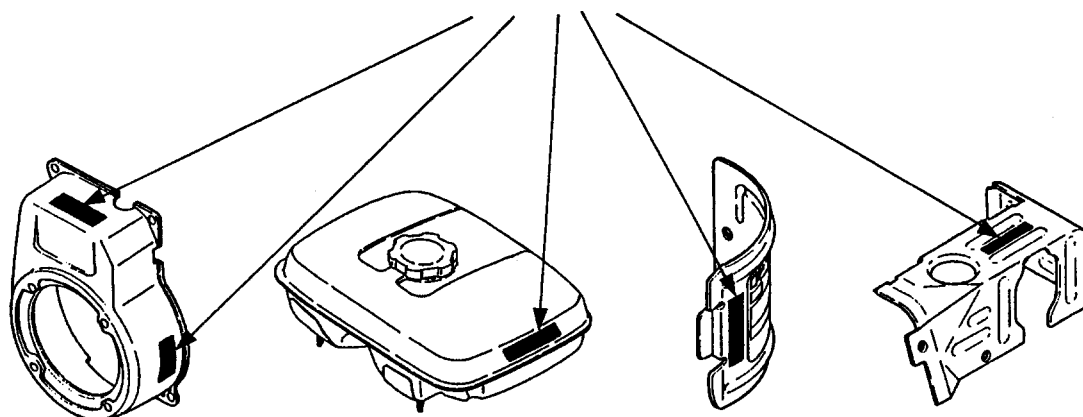
In order to identify the correct service part number, it is important to confirm the specification and code numbers for your engine. The specification and code number together are known as the PRODUCT NUMBER.

All Robin 4 cycle engines have a Product Number label similar to the label illustrated below.

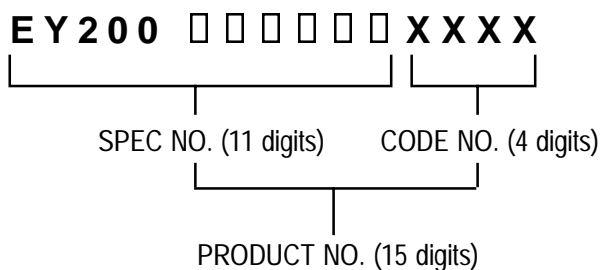
PRODUCT NUMBER LABEL



PRODUCT NUMBER LABEL LOCATIONS



The Product Number Label has a 15 digit alphanumeric string that consists of the SPECIFICATION (SPEC) number (11 digits) and the CODE number (4 digits). Please note the illustration below:



MANUAL LAYOUT

① SECTION 6 FUEL GROUP

② FIG. 600

③

④

⑤

⑥

⑦

⑧

⑨

REF.	PART NO.	DESCRIPTION	QTY.	REMARKS	FROM-TO	FIG.
10	267-60103-01	FUEL TANK CP	1	YD, YS TYPE, BLACK	2101 -	600
	267-60101-01	FUEL TANK CP	1	YELLOW	- 2100	600
27	073-20039-00	LABEL, WARNING	1	YD, YS TYPE		600
30	043-04300-15	FUEL TANK CAP CP	1			600
31	267-95201-03	LABEL, EMISSION	1	YD, YS TYPE		600
40	064-13600-10	FUEL FILTER	1			600
50	064-20021-01	FUEL STRAINER AY	1			600
-1	064-20002-20	FILTER	1			600
-2	064-20002-30	GASKET	1			600
-3	064-20019-10	CUP	1			600
-4	064-20003-20	NUT	1			600

1. SECTION NAME Parts are broadly classified according to their functions.
Refer to the Group Index (table of contents) for respective section name.
2. FIG. No. The FIG. number indexes the reference and part numbers to the illustration. Figure numbers that vary only in the tens place (i.e.: 700 and 710) are in a group of the same section (i.e.: Electrical Device Group).
3. REF. No. The Reference number identifies the part illustration with the corresponding part number in the part list.
4. SUBASSEMBLY SUBASSEMBLY parts of part assembly are listed below the assembly part. The subassembly part reference number is indicated by the number led by "-" such as "-1", "-2".
5. PART NUMBER It is the number assigned for sales unit. Use the PART No. when making an order.
6. DESCRIPTION It is designation of the part.
7. QTY. Quantity of each part used for each product.
8. REMARKS This gives a distinctive feature and/or a supplementary comment for the type, the specification, and the part concerned. It also shows part number(s) interchangeable for the part.
9. FROM-TO This section shows the CODE No. to indicate the history of progress in which improved parts have been introduced in the product. The FROM-TO CODE No. helps to identify PART No. being employed in the product concerned. See the examples below:
 - The part is used in the product irrespective of CODE No.
 - 2101- The part is used in the products with CODE No. of 2101 and after this number.
 - 2100 The part is used in the products with CODE No. of 2100 and before this number.

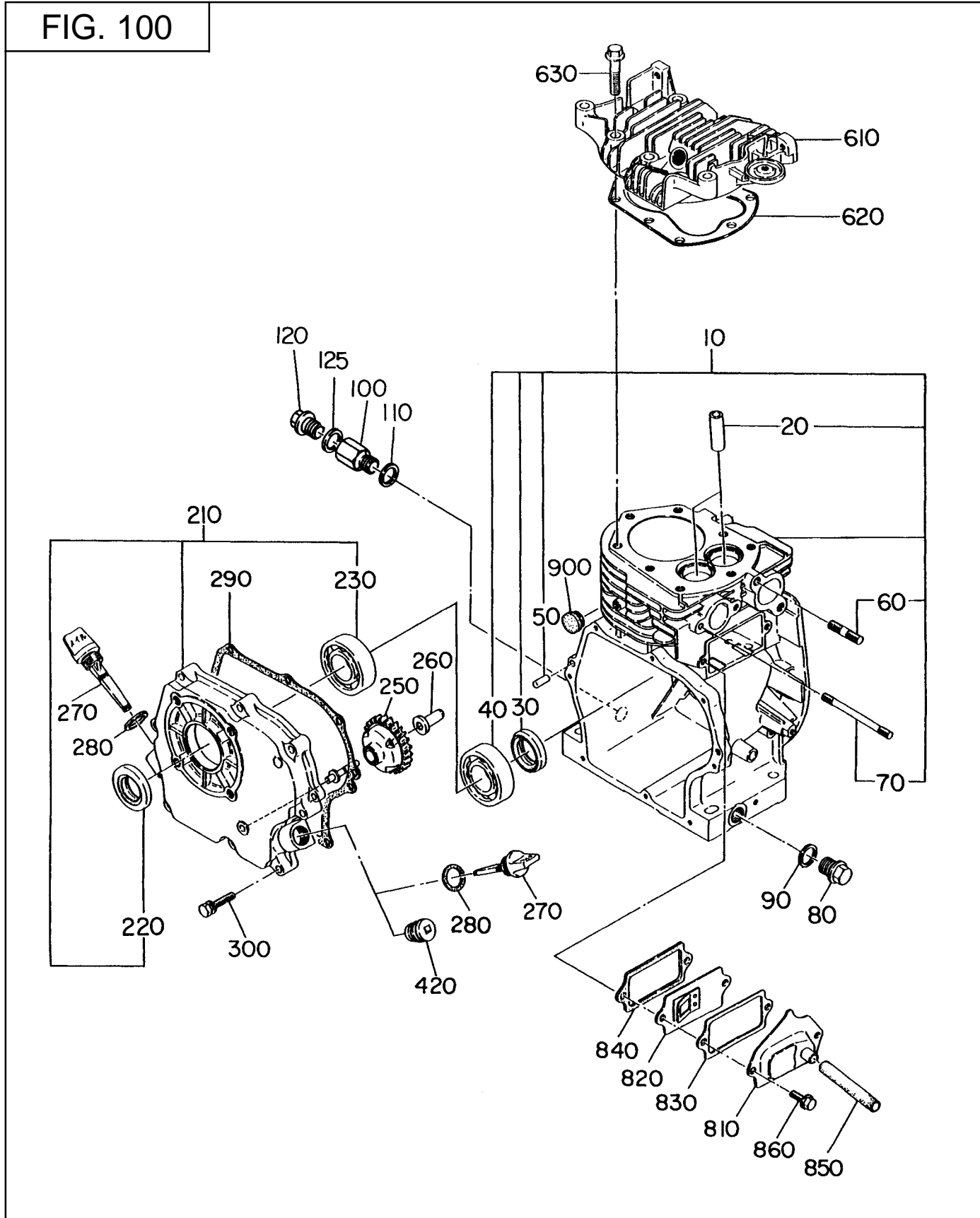
GROUP INDEX

Group Name	Page
CRANKCASE GROUP	6
CRANKSHAFT GROUP	8
INTAKE and EXHAUST GROUP	10
GOVERNOR GROUP	14
COOLING and STARTING GROUP	18
FUEL, LUBRICANT GROUP	22
CARBURETOR GROUP	24
ELECTRIC DEVICE GROUP	26
OIL SENSOR	30
6:1 REDUCTION	34

INDEX OF DESCRIPTION SYMBOLS			
SYMBOL	DESCRIPTION	SYMBOL	DESCRIPTION
AY	ASSEMBLY	P=	PITCH (in mm)
CP	COMPLETE	P.T.O. (PTO)	POWER TAKE OFF
EX	EXPORT (from Japan)	REF.	REFERENCE
FIG.	FIGURE	R.H. (RH)	RIGHT HAND SIDE
FR.	FRONT	RR.	REAR
"	INCH	STD.	STANDARD
INCL.	INCLUDE	SW	SWITCH
~L	LITER	T=	THICKNESS (in mm)
L=	LENGTH (in. mm)	UN	UNIT
L.H. (LH)	LEFT-HAND SIDE	U.S.	UNDER SIZE
MECH	MECHANICAL	~V	VOLTAGE
NO (NON)	NONE	~W	WATT
OPT.	OPTIONAL	W/	WITH
O.S.	OVER SIZE	W/O	WITHOUT

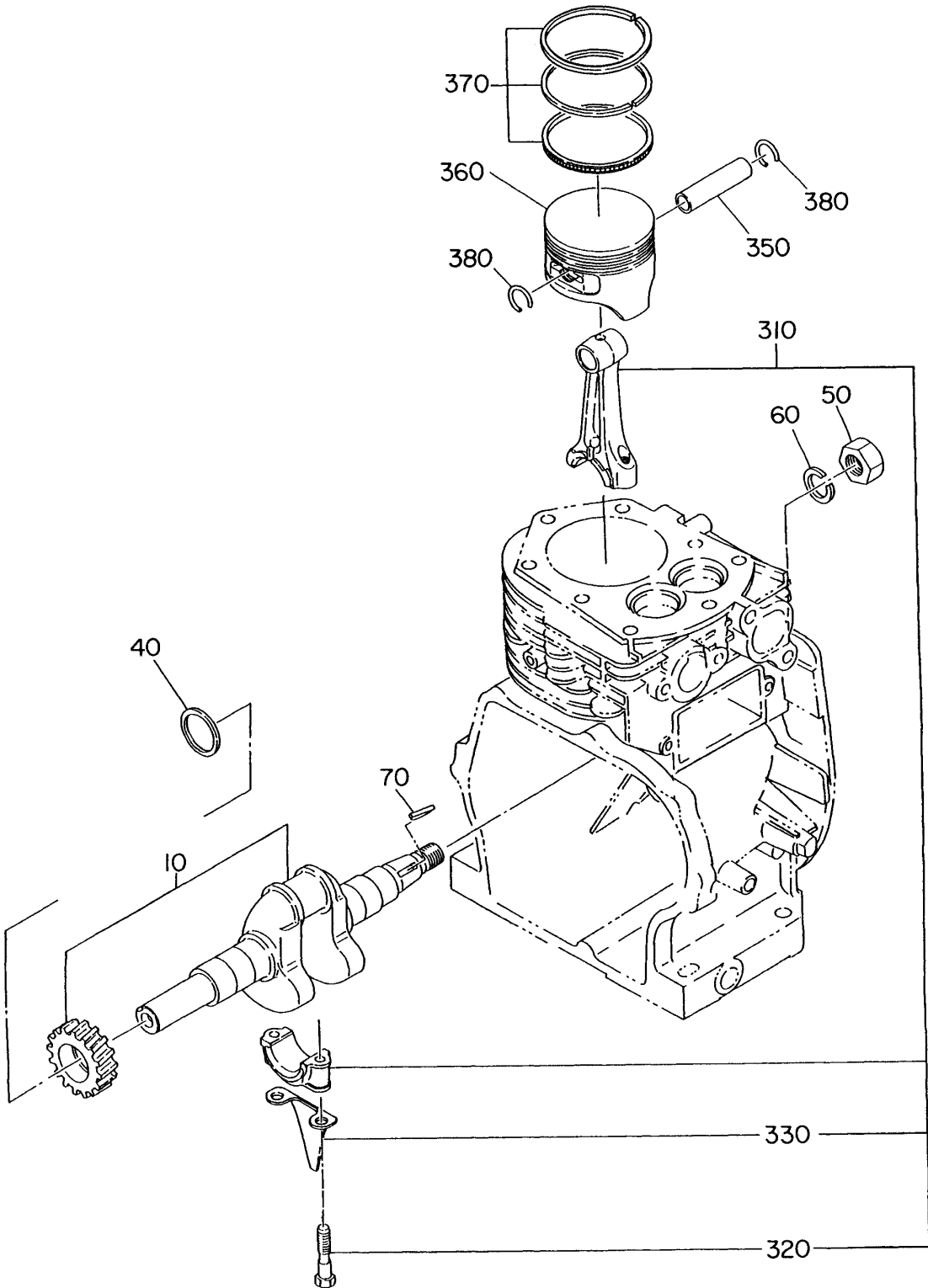
SECTION 1 CRANKCASE GROUP

FIG. 100



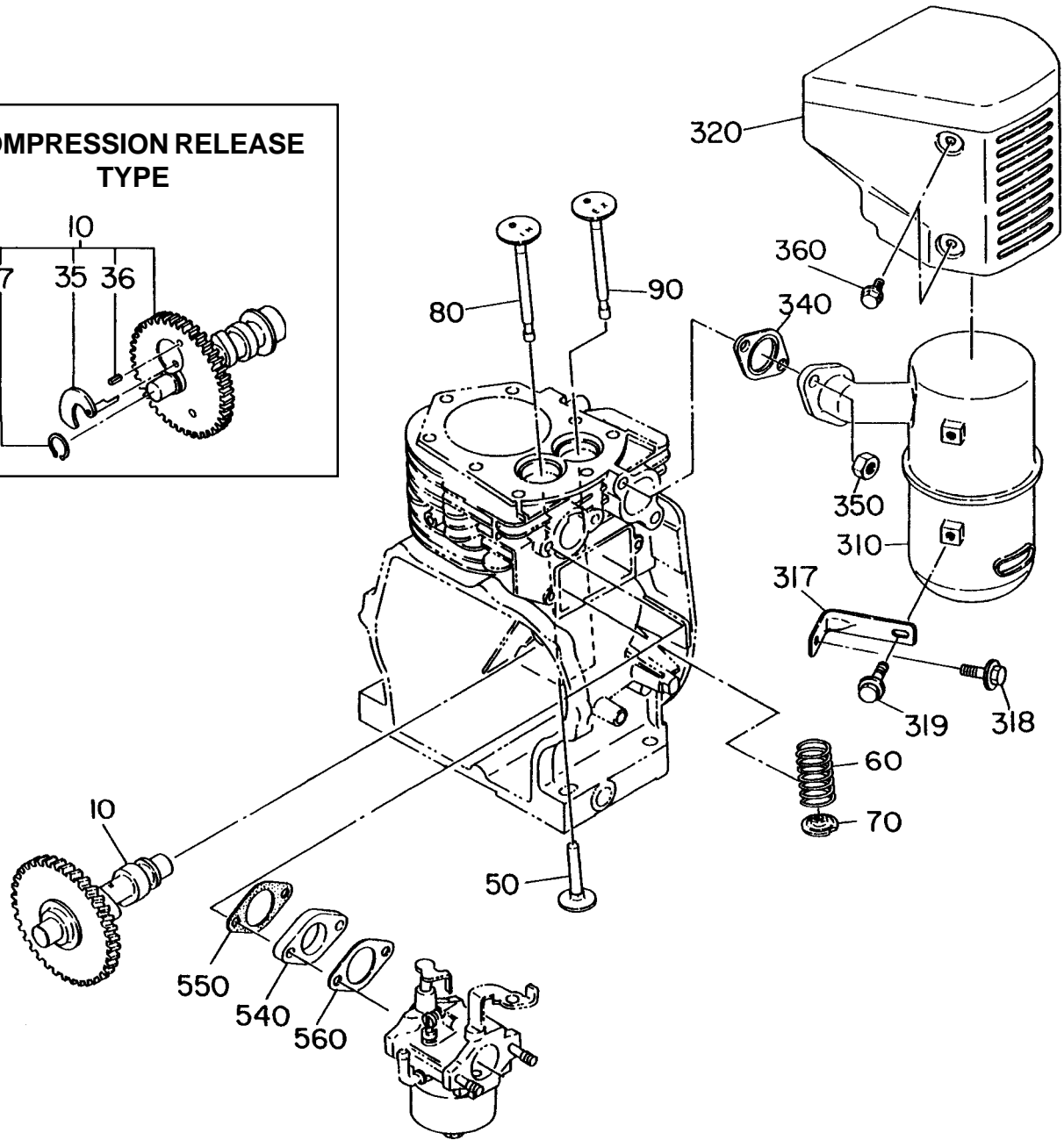
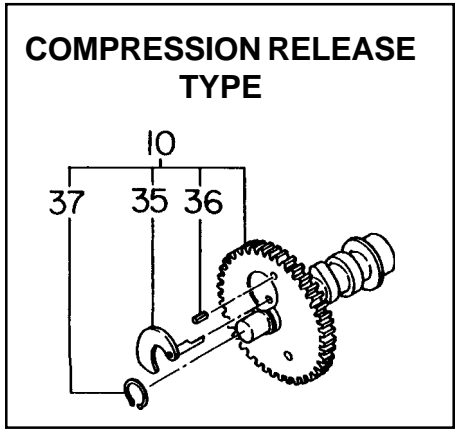
SECTION 2 CRANKSHAFT GROUP

FIG. 200



SECTION 3 INTAKE and EXHAUST GROUP

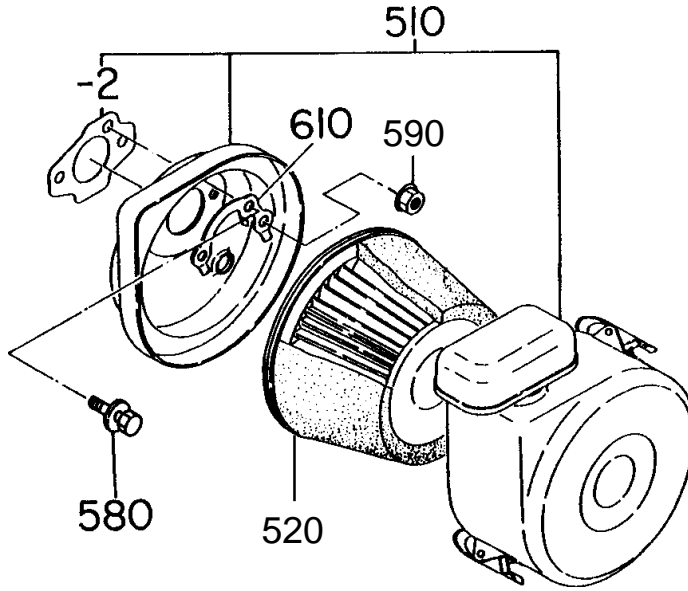
FIG. 300



SECTION 3 INTAKE and EXHAUST GROUP

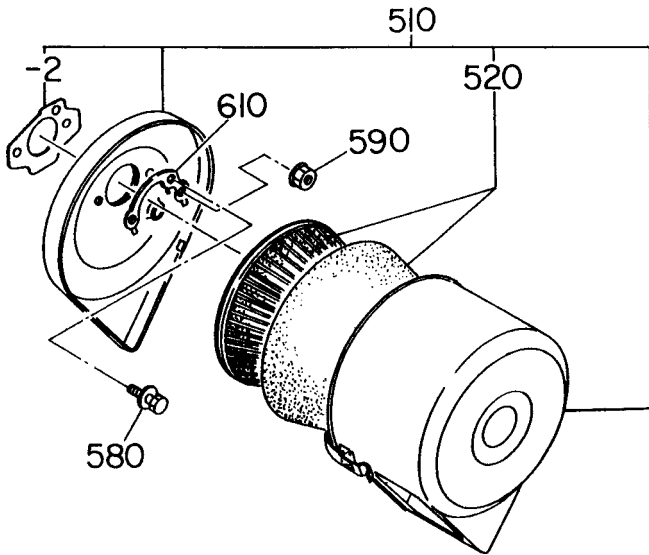
FIG. 310

Premium - Top Inlet Cyclone



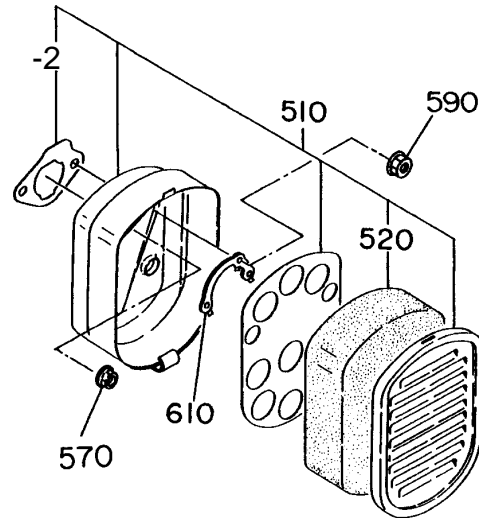
A

B Standard - Cyclone



B

C Foam Element



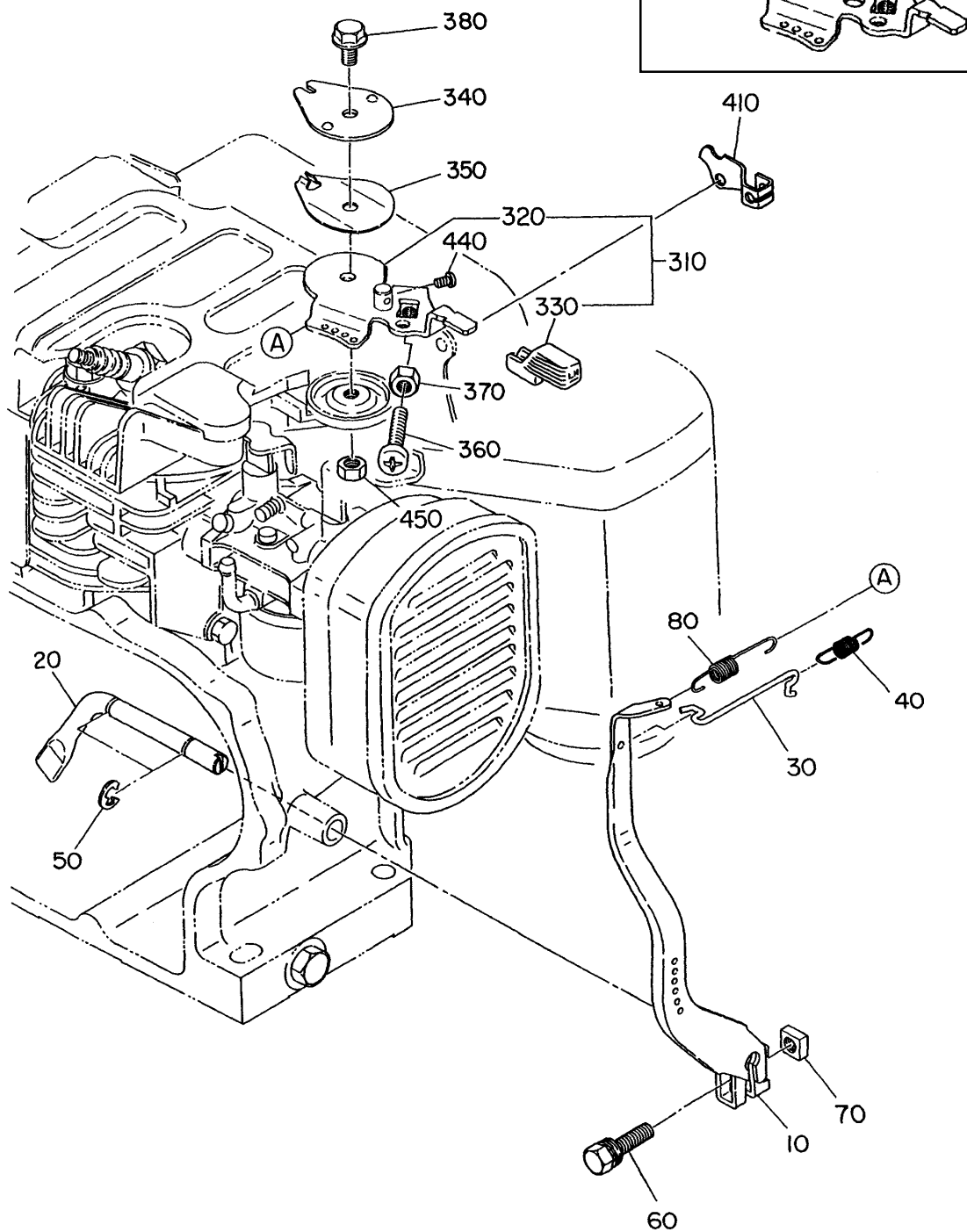
C

SECTION 4 GOVERNOR GROUP

FIG. 400

MANUAL WITH UPPER REMOTE CABLE CONTROL

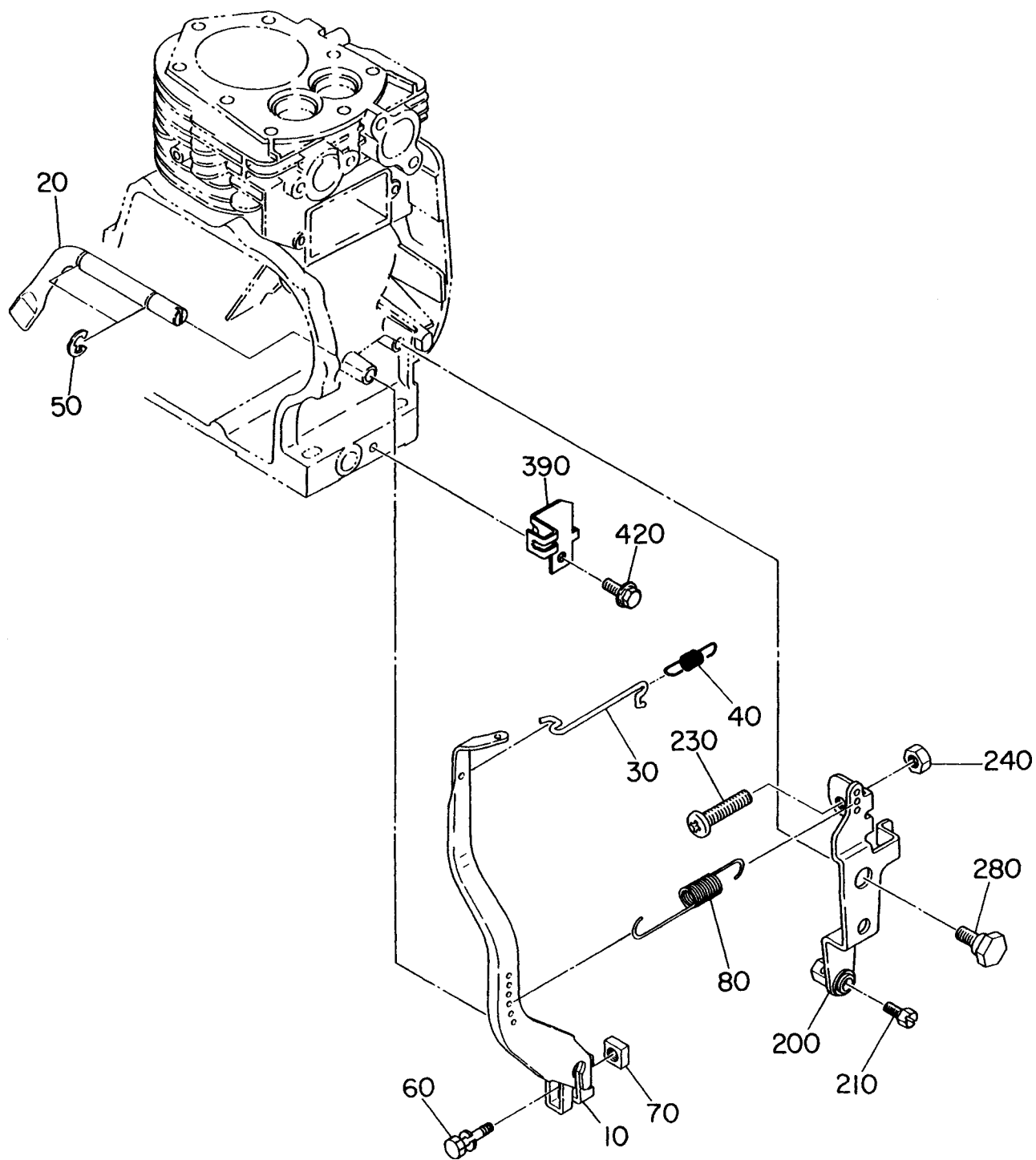
MANUAL CONTROL ONLY



SECTION 4 GOVERNOR GROUP

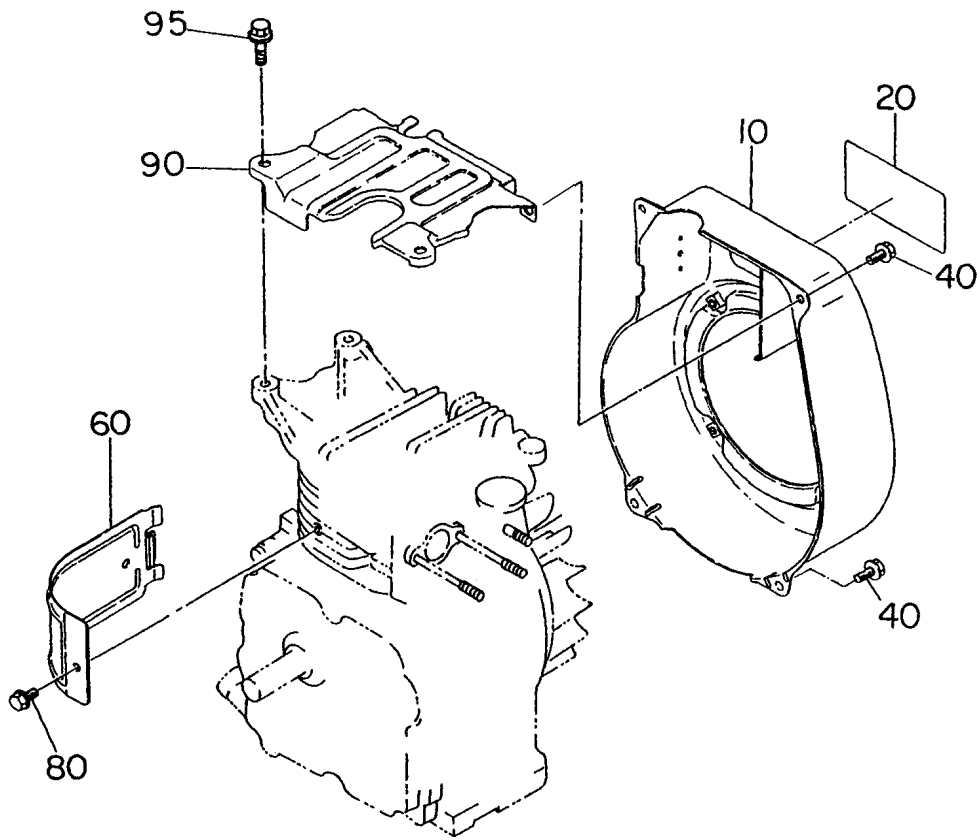
FIG. 410

LOWER REMOTE CABLE CONTROL



SECTION 5 COOLING and STARTING GROUP

FIG. 500



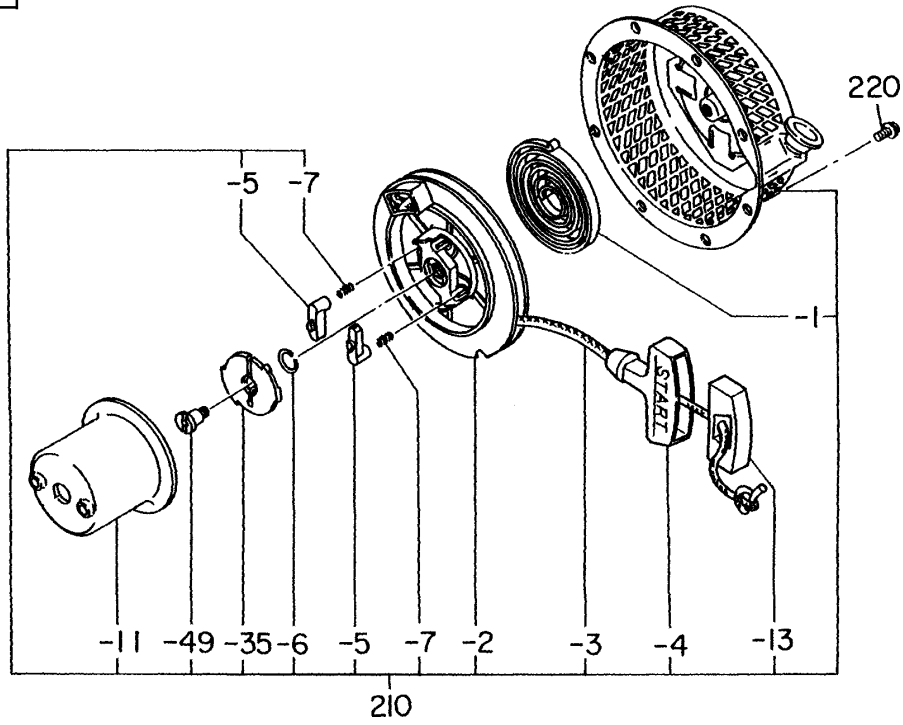
SECTION 5 COOLING and STARTING GROUP

REF.	PART NO.	DESCRIPTION	QTY.	REMARKS	FROM-TO	FIG.
10	227-51538-06	BLOWER HOUSING	1	Black		500
	227-51350-07	BLOWER HOUSING	1	Primer		500
	227-51328-06	BLOWER HOUSING	1	Orange		500
	227-51304-06	BLOWER HOUSING	1	Yellow		500
20	227-91529-03	LABEL, trademark	1			500
40	011-00600-30	FLANGE BOLT	4			500
60	227-52601-03	CYLINDER BAFFLE	1			500
80	011-00600-10	FLANGE BOLT	1			500
90	227-52701-03	HEAD COVER	1			500
95	001-65062-00	FLANGE BOLT	1			500

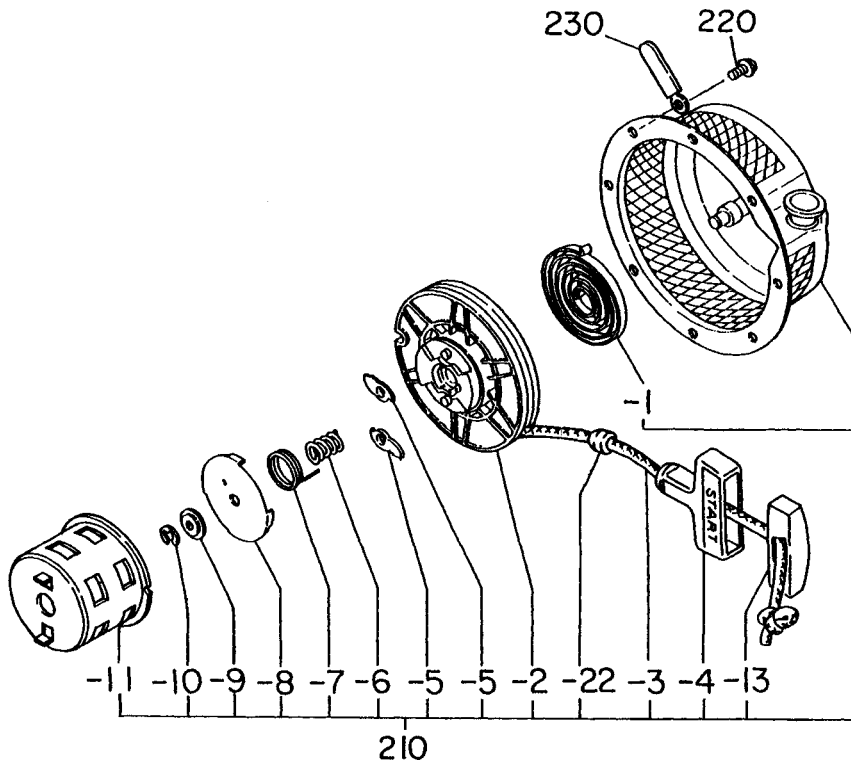
SECTION 5 COOLING and STARTING GROUP

FIG. 510

NEW STYLE



OLD STYLE

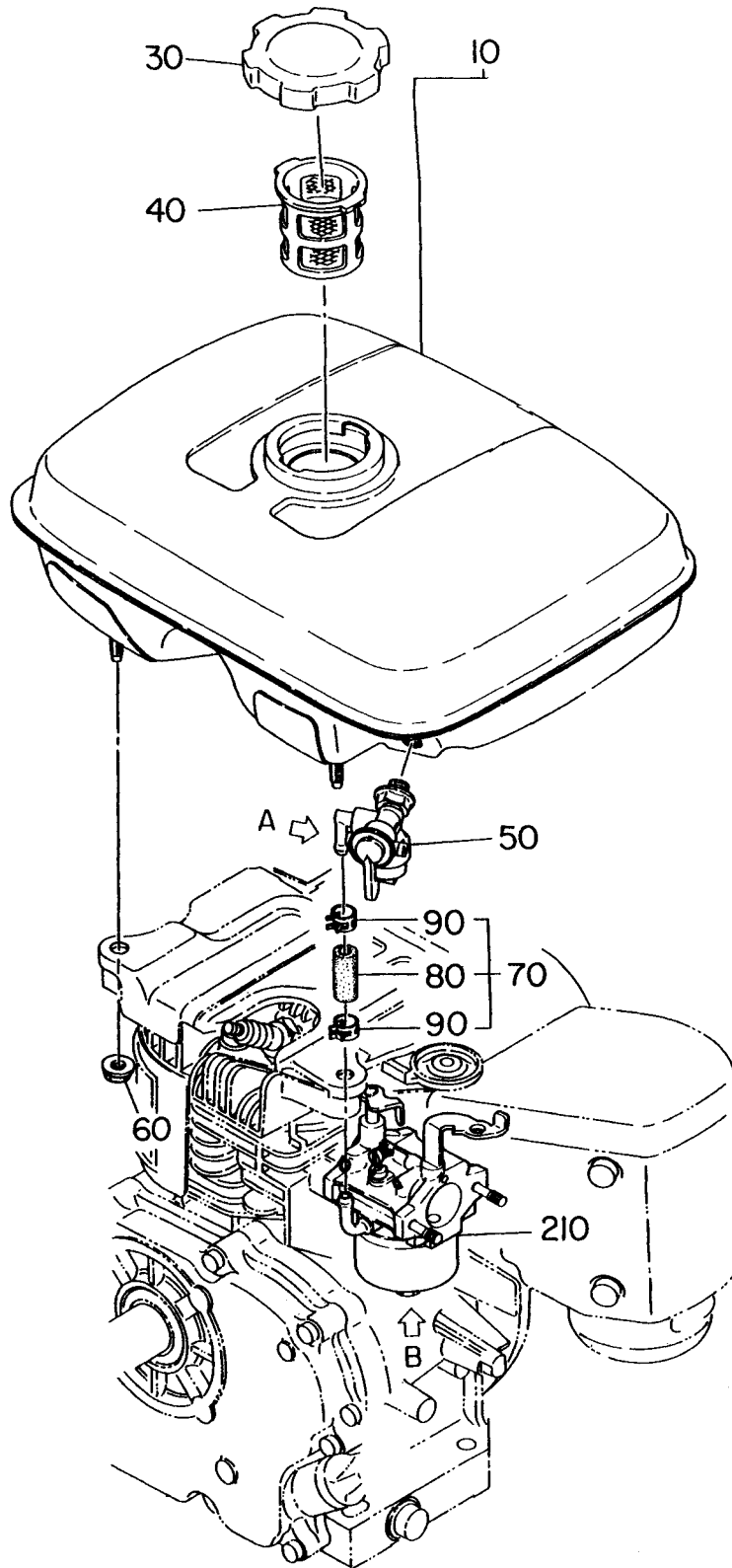


SECTION 5 COOLING and STARTING GROUP

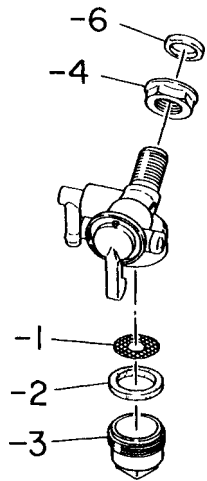
REF.	PART NO.	DESCRIPTION	QTY.	REMARKS	FROM-TO	FIG.
210	227-50811-10	RECOIL STARTER AY	1	New Style		510
	227-50211-00	RECOIL STARTER AY	1	Obsolete, use 227-50811-10		510
-1	261-50115-08	SPIRAL SPRING	1			510
	106-50116-08	SPIRAL SPRING	1	Old Style		510
-2	252-50121-08	REEL, compl.	1			510
	227-50120-08	REEL, compl.	1	Old Style		510
-3	226-50113-08	STARTER ROPE	1			510
	227-50110-18	STARTER ROPE	1	Old Style		510
-4	226-50100-08	STARTER KNOB	1			510
-5	161-50125-08	RATCHET	2			510
	106-50128-18	RATCHET	2	Old Style		510
-6	227-50131-08	FRICITION SPRING	1			510
	106-50132-08	FRICITION SPRING	1	Old Style		510
-7	227-50135-08	RETURN SPRING	1			510
	106-50136-18	RETURN SPRING	1	Old Style		510
-8	106-50144-08	FRICITION PLATE	1	Old Style		510
-9	106-50185-08	THRUST WASHER	1	Old Style		510
-10	106-50186-08	CLIP	1	Old Style		510
-11	227-50149-18	STARTER PULLY	1			510
	227-50145-08	STARTER PULLY	1	Old Style		510
-13	227-50150-08	KNOB CAP	1			510
-22	214-50158-08	DAMPER	1	Old Style		510
-35	161-50150-08	RATCHET GUIDE	1			510
-49	227-50152-08	SET SCREW	1			510
220	011-00600-10	FLANGE BOLT	4			510
230	226-75101-03	CLAMP	2	Old Style		510

SECTION 6 FUEL, LUBRICANT GROUP

FIG. 600



DETAIL A

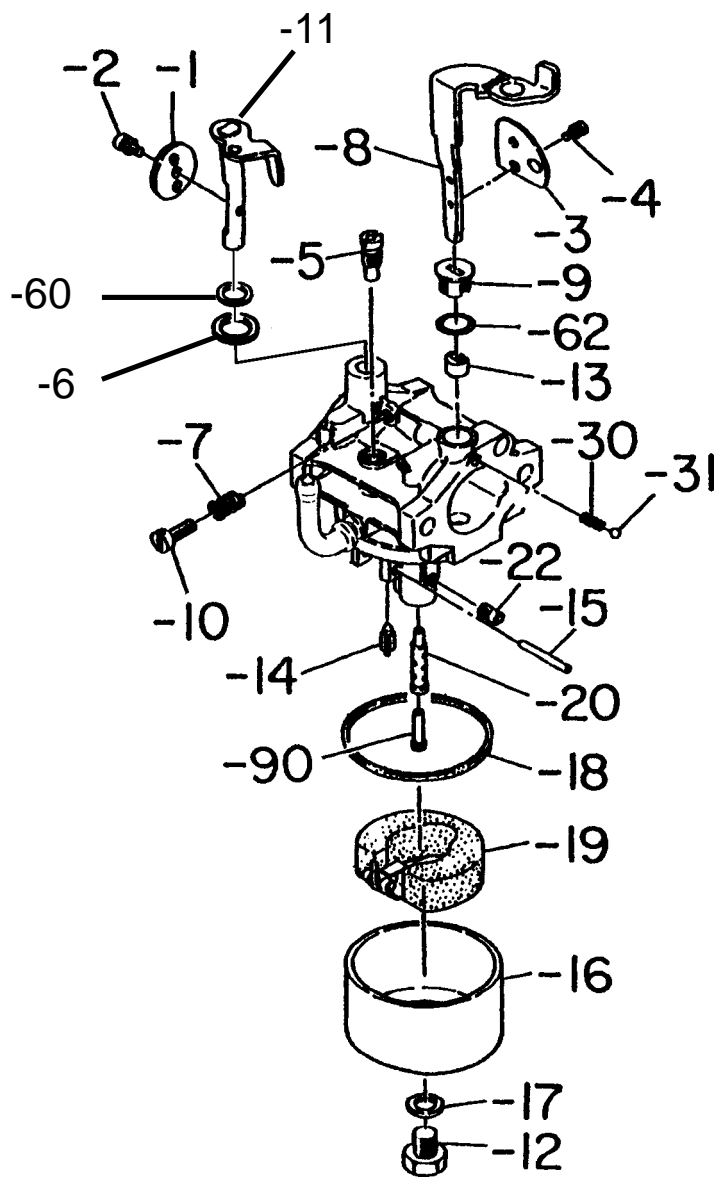


SECTION 6 FUEL, LUBRICANT GROUP

REF.	PART NO.	DESCRIPTION	QTY.	REMARKS	FROM-TO	FIG.
10	227-60251-11	FUEL TANK, compl.	1	Ø 10 mm outlet, Black		600
	227-60211-21	FUEL TANK, compl.	1	Ø 10 mm outlet, Orange		600
	227-60201-11	FUEL TANK, compl.	1	Ø 10 mm outlet, Yellow		600
30	043-04300-15	FUEL TANK CAP, compl.	1			600
40	064-13600-10	FUEL FILTER	1			600
50	064-20064-00	FUEL STRAINER	1	Ø 10mm threads		600
	064-20042-00	FUEL STRAINER	1	Ø 8mm threads		600
-1	064-20064-20	FILTER	1			600
-2	064-20064-10	PACKING	1			600
-3	064-20042-10	CUP, strainer	1			600
-4	064-20064-30	NUT	1			600
-6	064-20064-40	PACKING	1			600
60	002-38060-00	FLANGE NUT	2			600
70	227-62640-01	FUEL PIPE, compl.	1			600
80	085-10600-00	RUBBER PIPE	1			600
90	056-11100-20	HOSE CLAMP	2			600

SECTION 6 FUEL, LUBRICATION GROUP

FIG. 610

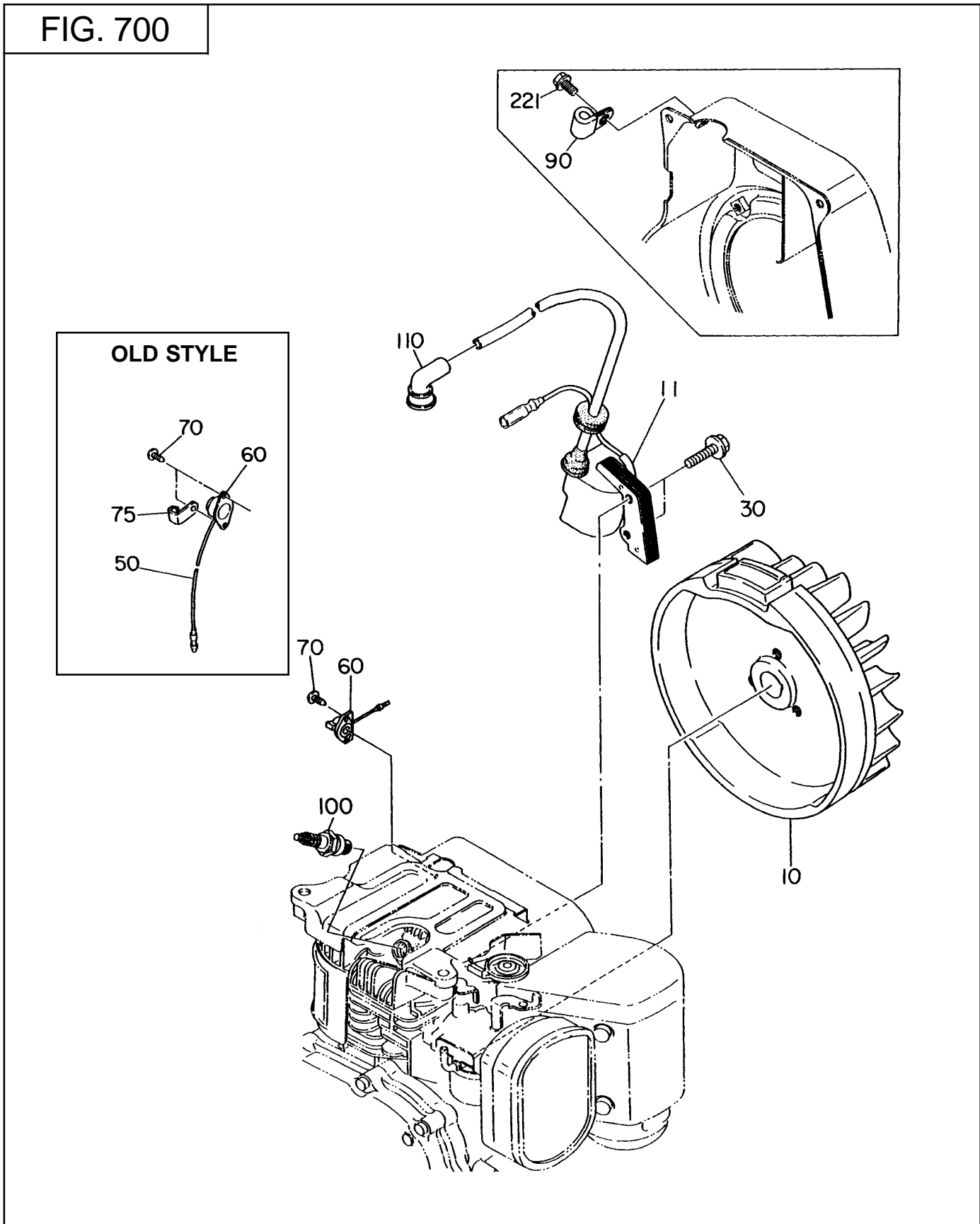


SECTION 6 FUEL, LUBRIACTION GROUP

REF.	PART NO.	DESCRIPTION	QTY.	REMARKS	FROM-TO	FIG.
210	227-62450-10	CARBURETOR	1	Includes items -1 thru -90		610
-1	220-62535-08	THROTTLE VALVE	1			610
-2	209-62351-08	SCREW	1			610
-3	227-62526-08	CHOKE VALVE	1			610
-4	237-62451-08	SCREW	2			610
-5	209-62420-08	PILOT JET	1			610
-6	156-62351-08	PACKING, throttle shaft	1			610
-7	209-62445-08	SPRING	1			610
-8	226-62520-18	SHAFT AY, choke	1			610
-9	226-62551-08	RING	1			610
-10	209-62352-08	SCREW	1			610
-11	226-62532-08	SHAFT AY, throttle	1			610
-12	227-62451-08	BOLT	1			610
-13	226-62550-08	RING	1			610
-14	226-62502-08	NEEDLE VALVE AY	1			610
-15	214-62515-08	PIN	1			610
-16	227-62558-08	FLOAT CHAMBER BODY	1			610
-17	214-62450-08	PACKING	1			610
-18	214-62540-08	CHAMBER PACKING	1			610
-19	226-62506-08	FLOAT AY	1			610
-20	227-62442-08	MAIN NOZZLE	1			610
-22	227-62407-08	MAIN JET (75)	1			610
-30	209-62446-08	CHOKE SPRING	1			610
-31	209-62353-08	STEEL BALL	1			610
-60	106-62392-18	SEAL	1			610
-62	227-62559-08	SEAL	1			610
-90	227-62441-08	NOZZLE	1			610

SECTION 7 ELECTRIC DEVICE GROUP

FIG. 700



SECTION 7 ELECTRIC DEVICES GROUP

FIG. 710

POINTS and CONDENSER - OLD STYLE

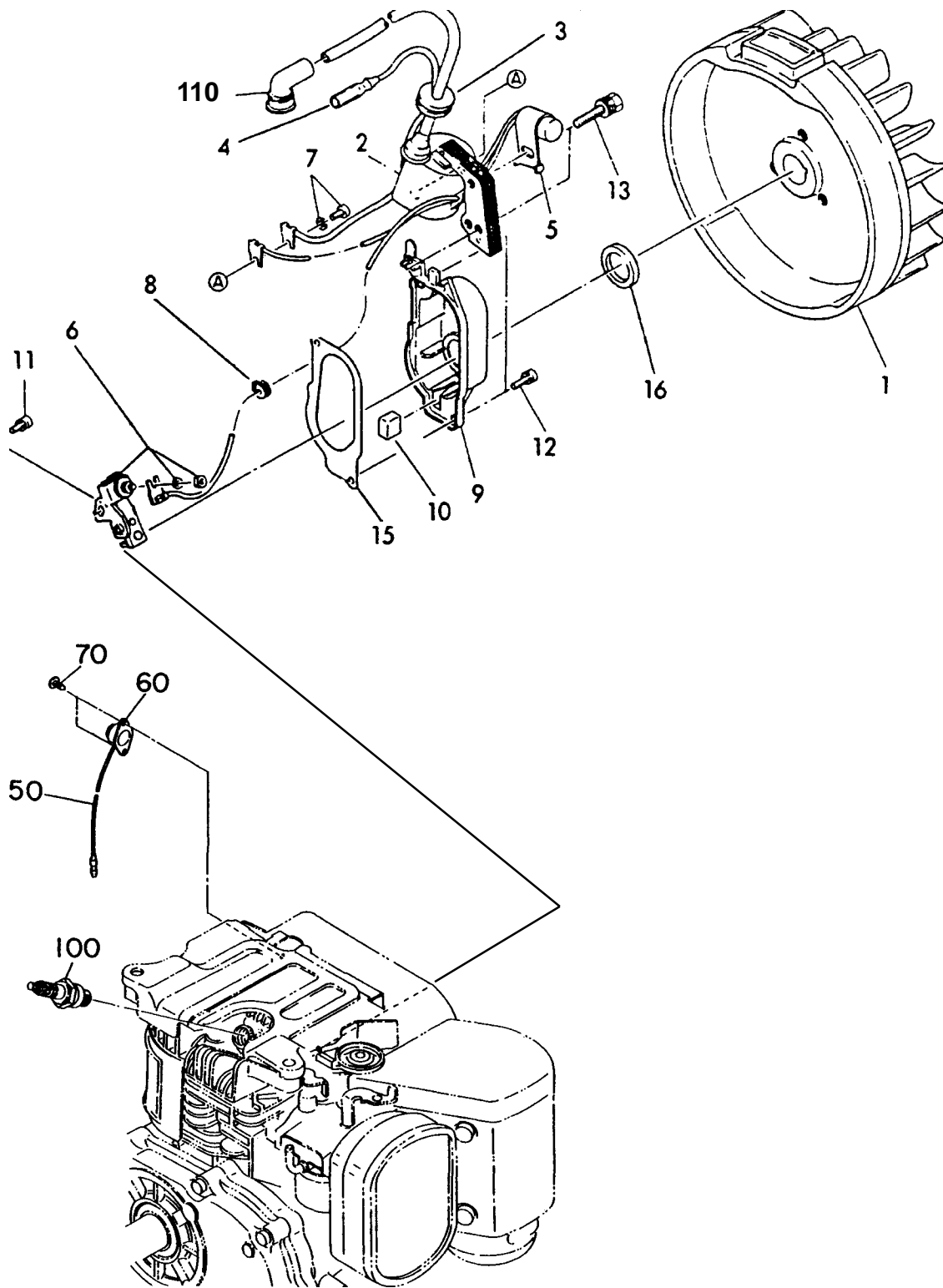
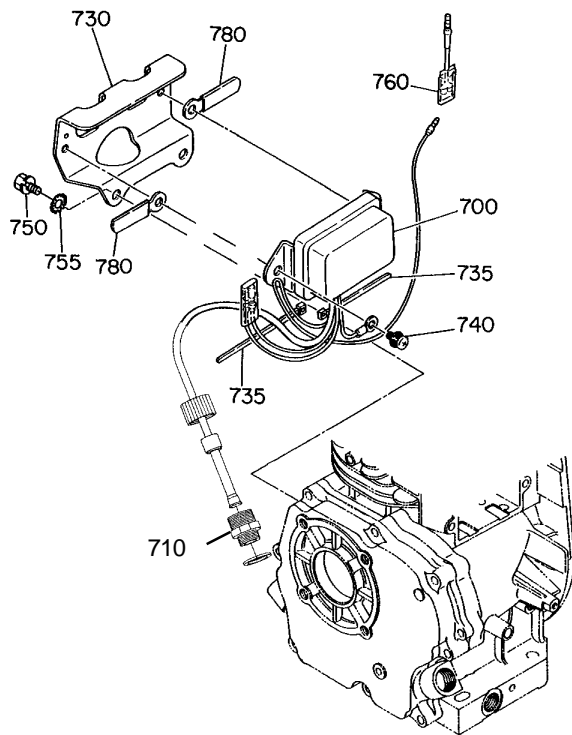
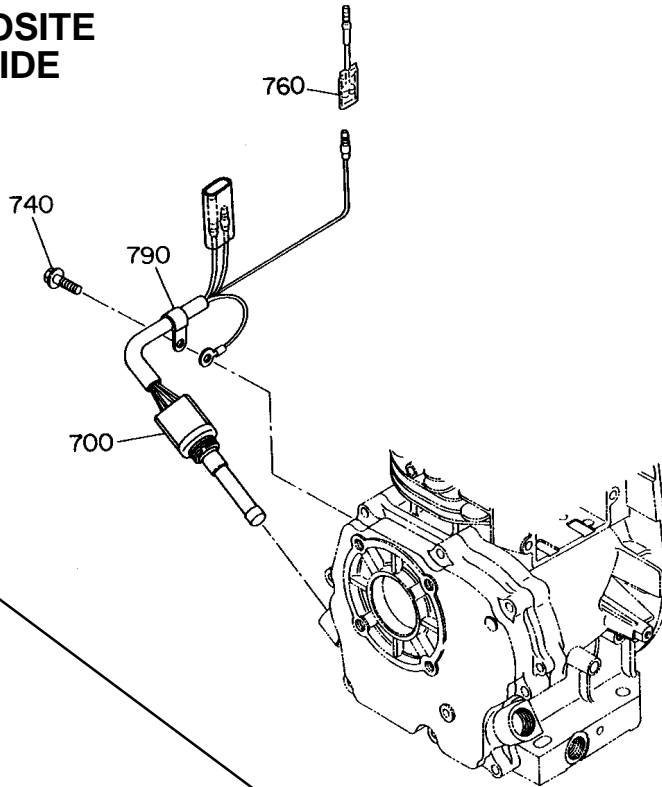


FIG. 730

**NEW STYLE - OPPOSITE
CARBURETOR SIDE**



**OLD STYLE - OPPOSITE
CARBURETOR SIDE**

SECTION 7 ELECTRIC DEVICE GROUP - OIL SENSOR

REF.	PART NO.	DESCRIPTION	QTY.	REMARKS	FROM-TO	FIG.
700	KS3-11020-01	OIL LEVEL SENSOR, compl.	1	New Style		730
	227-76010-01	OIL LEVEL SENSOR, compl.	1	Old Style		730
710	227-76210-03	JOINT	1			730
730	227-76503-11	BRACKET	1			730
735	056-30000-20	WIRE BAND	2			730
740	001-10081-60	SCREW and WASHER	1	New Style		730
	004-36061-20	SCREW and WASHER	2	Old Style		730
750	001-10081-60	BOLT and WASHER AY	1			730
755	003-30080-00	LOCK WASHER	1			730
760	214-73122-01	WIRE 22	1			730
780	226-75101-03	CLAMP, compl.	2			730
790	214-79003-01	CLAMP, compl.	1			730

FIG. 740

OLD STYLE - CARBURETOR SIDE

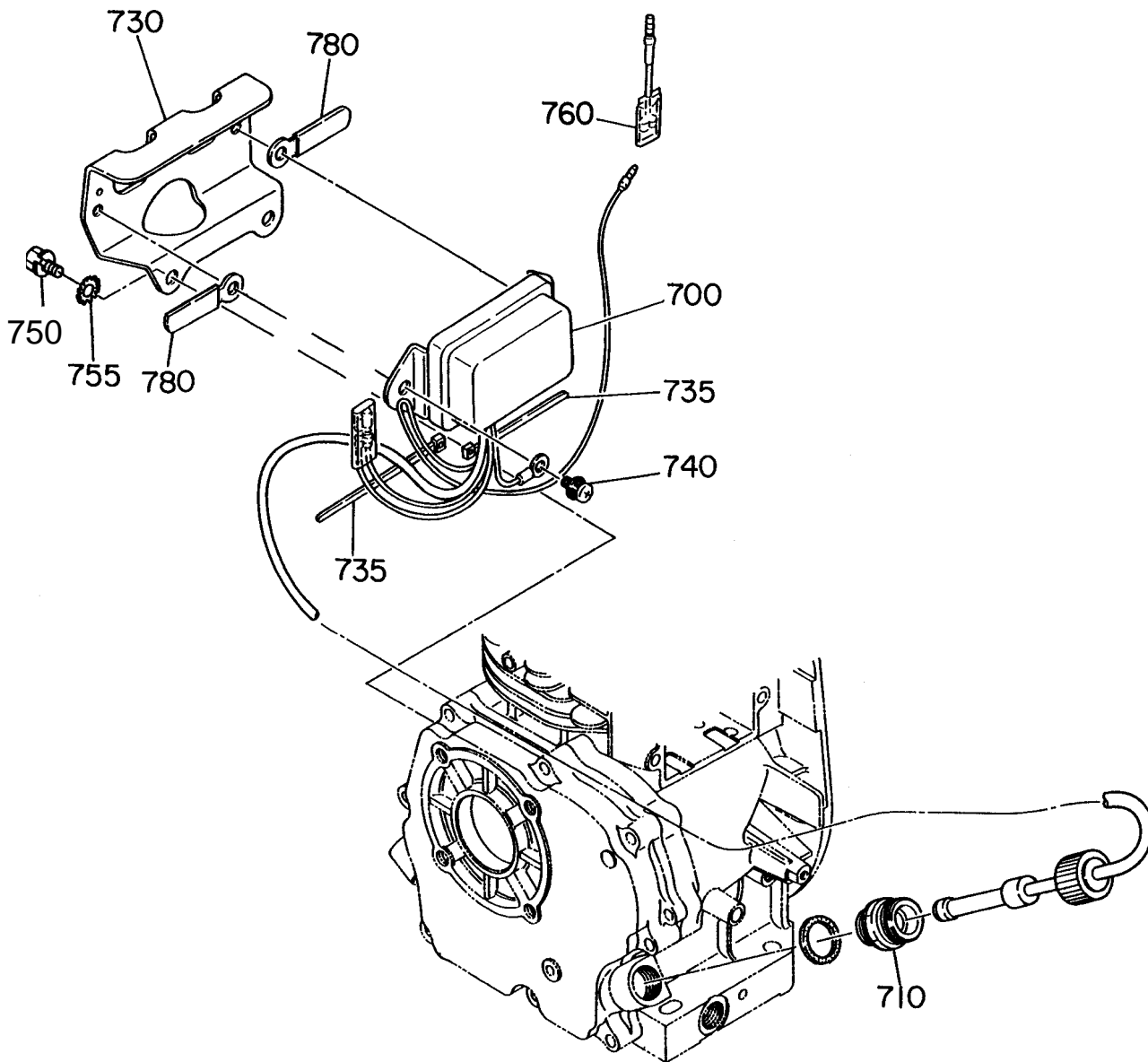
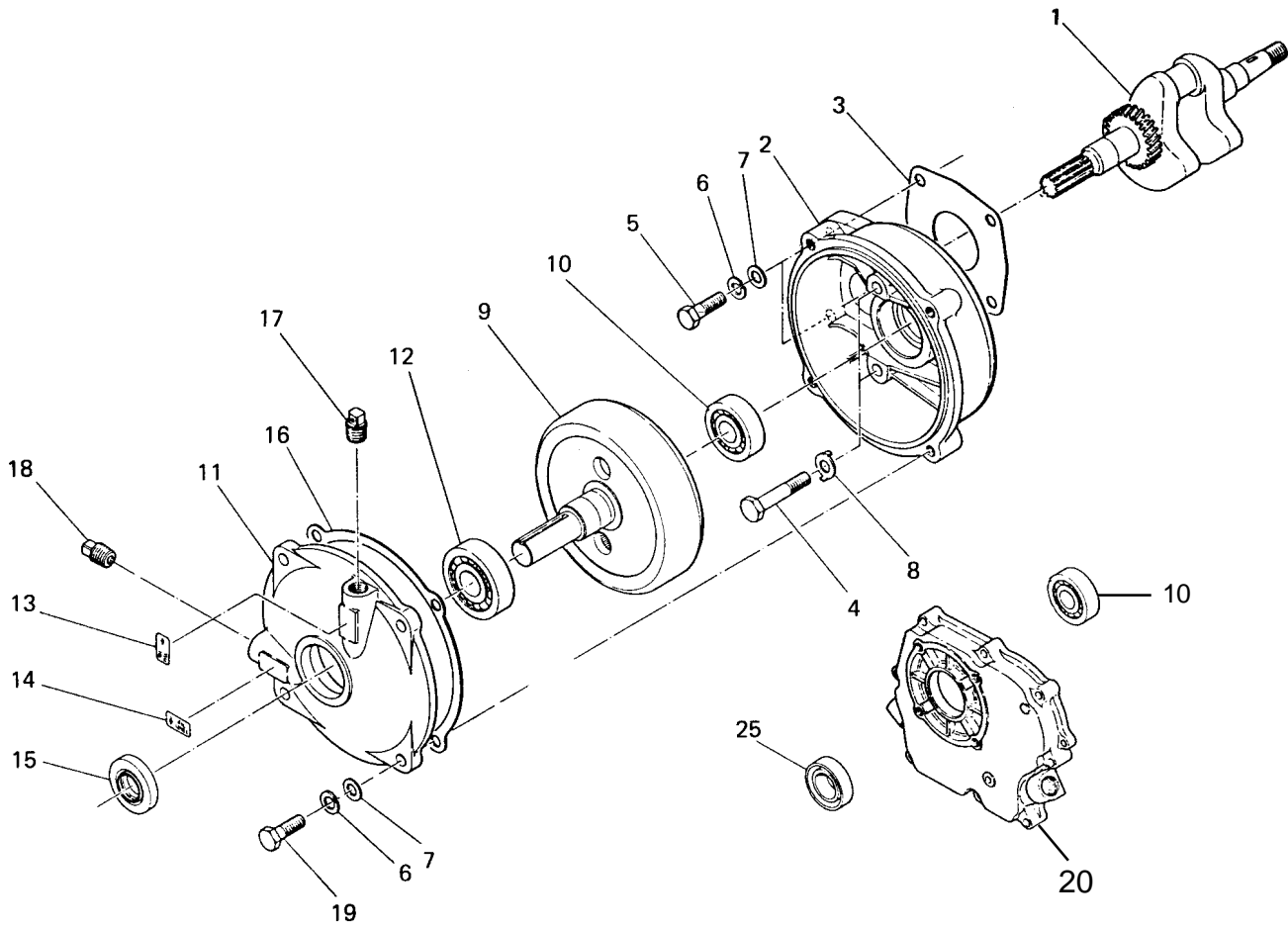


FIG. 800



PRINTED IN THE USA