



**ROBIN Engines**

---

**Model EC12**

**for DELMAG**

**PARTS CATALOG**

**Spec.No.EC120D47101**

 **FUJI HEAVY INDUSTRIES LTD.**

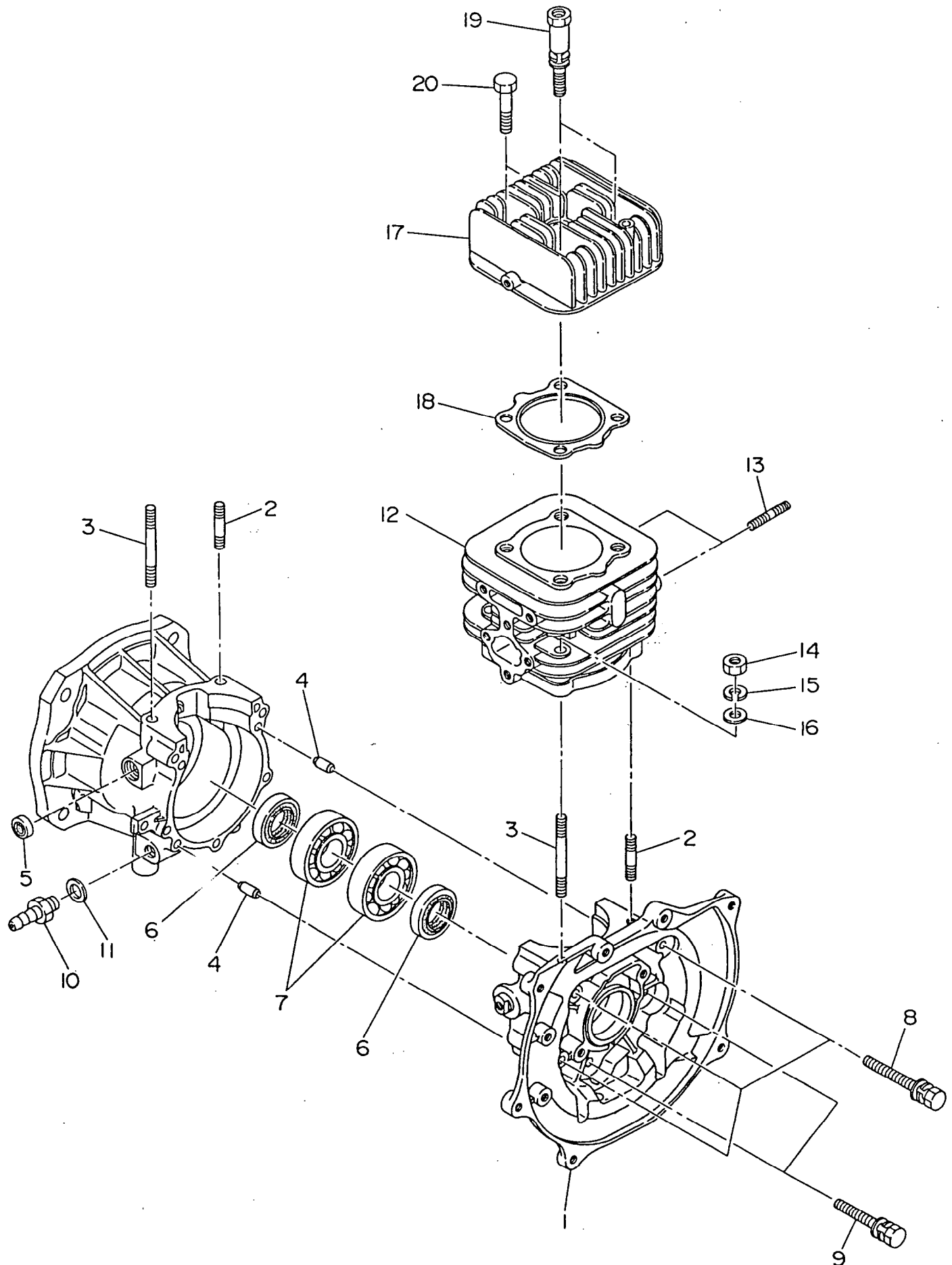
---

**ISSUE EMD-EP5425**

## **TABLE OF CONTENTS**

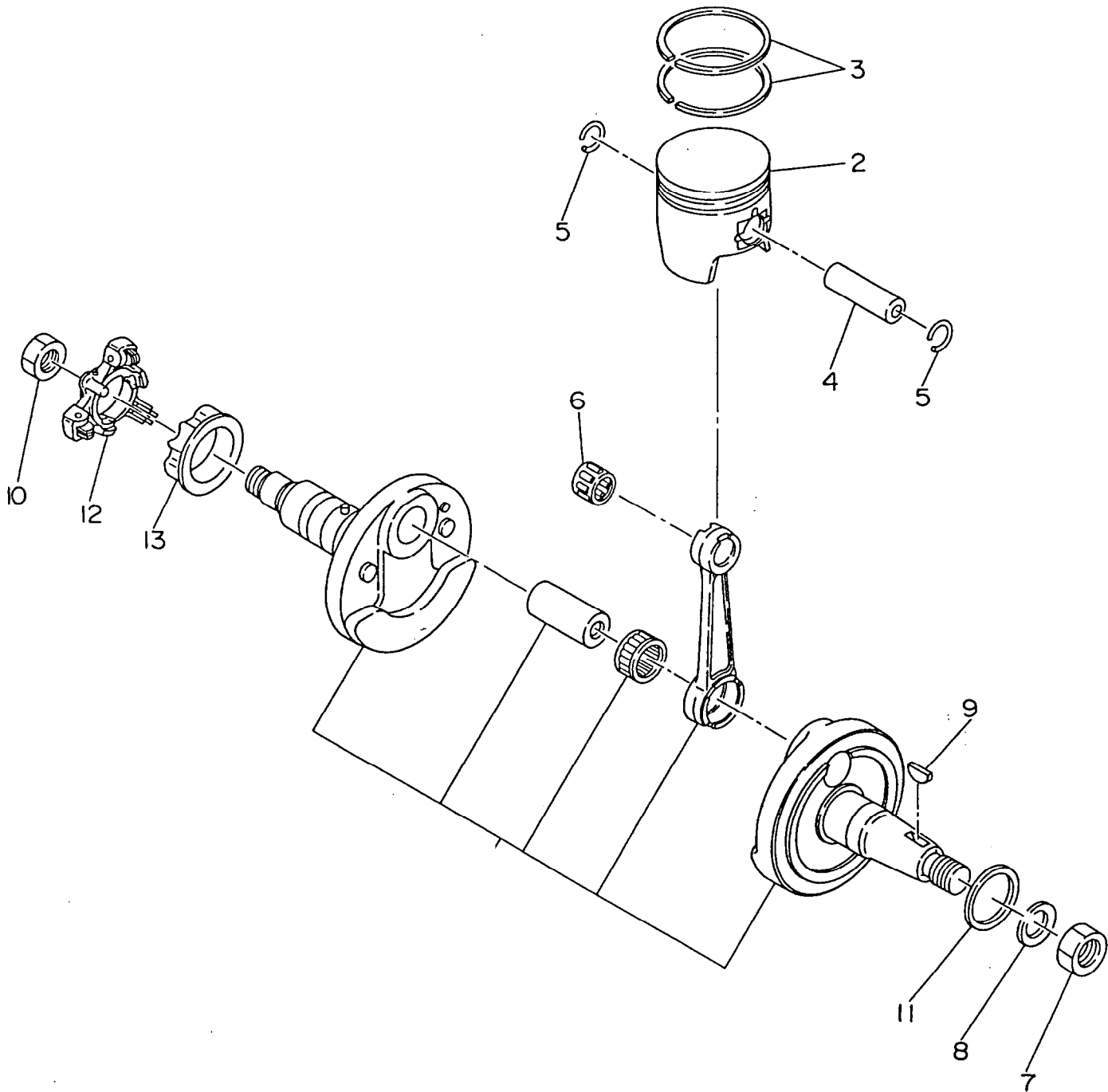
- 1. CRANKCASE and CYLINDER HEAD**
- 2. CRANKSHAFT and PISTON**
- 3. MUFFLER and AIR CLEANER**
- 4. GOVERNOR**
- 5. BLOWER HOUSING and RECOIL STARTER**
- 6. CARBURETOR**
- 7. ELECTRIC DEVICE**
- 9. PARTS TO BE SHIPPED LOOSE**

# 1. CRANKCASE and CYLINDER HEAD



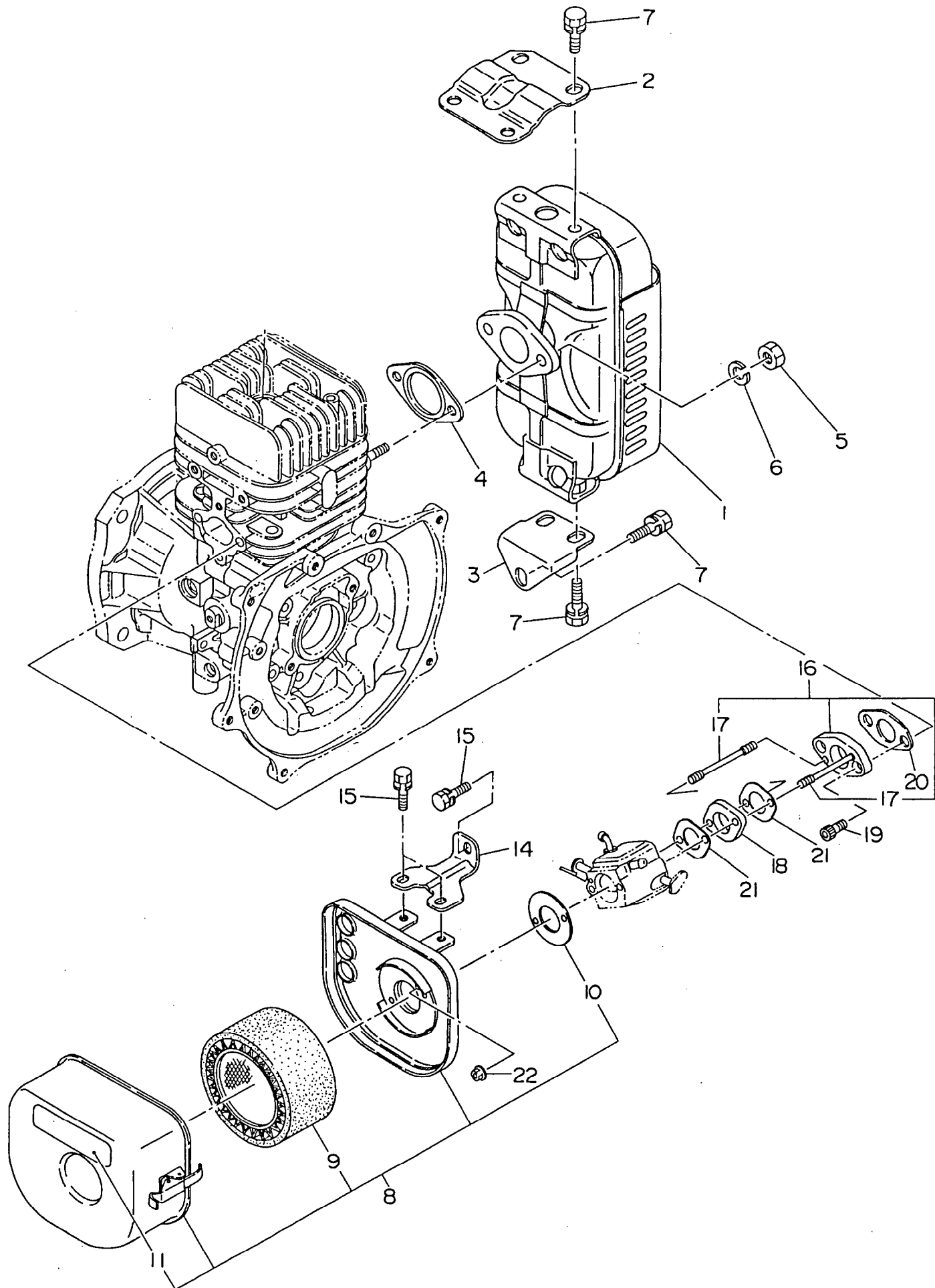


## 2. CRANKSHAFT and PISTON





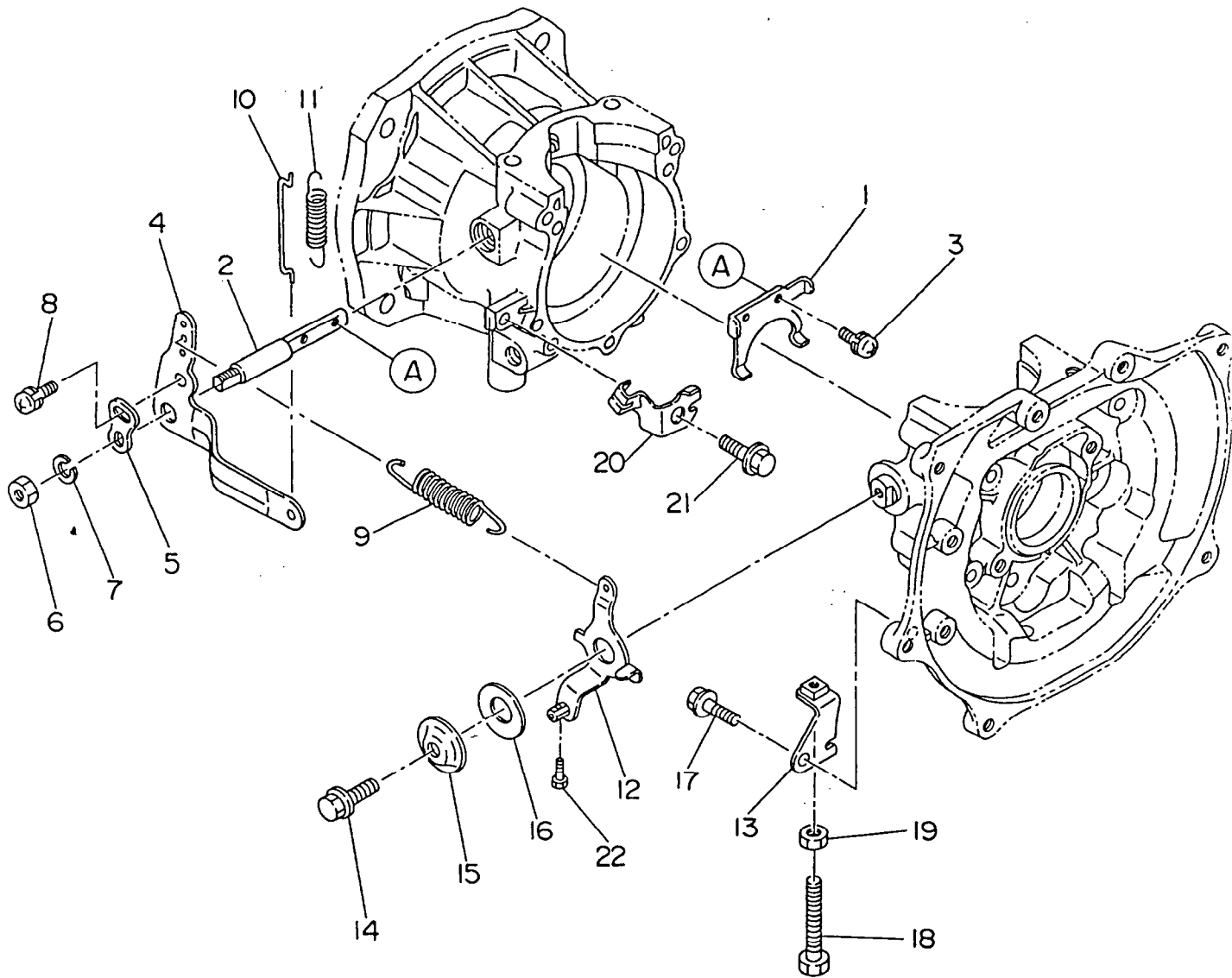
### 3. MUFFLER and AIR CLEANER





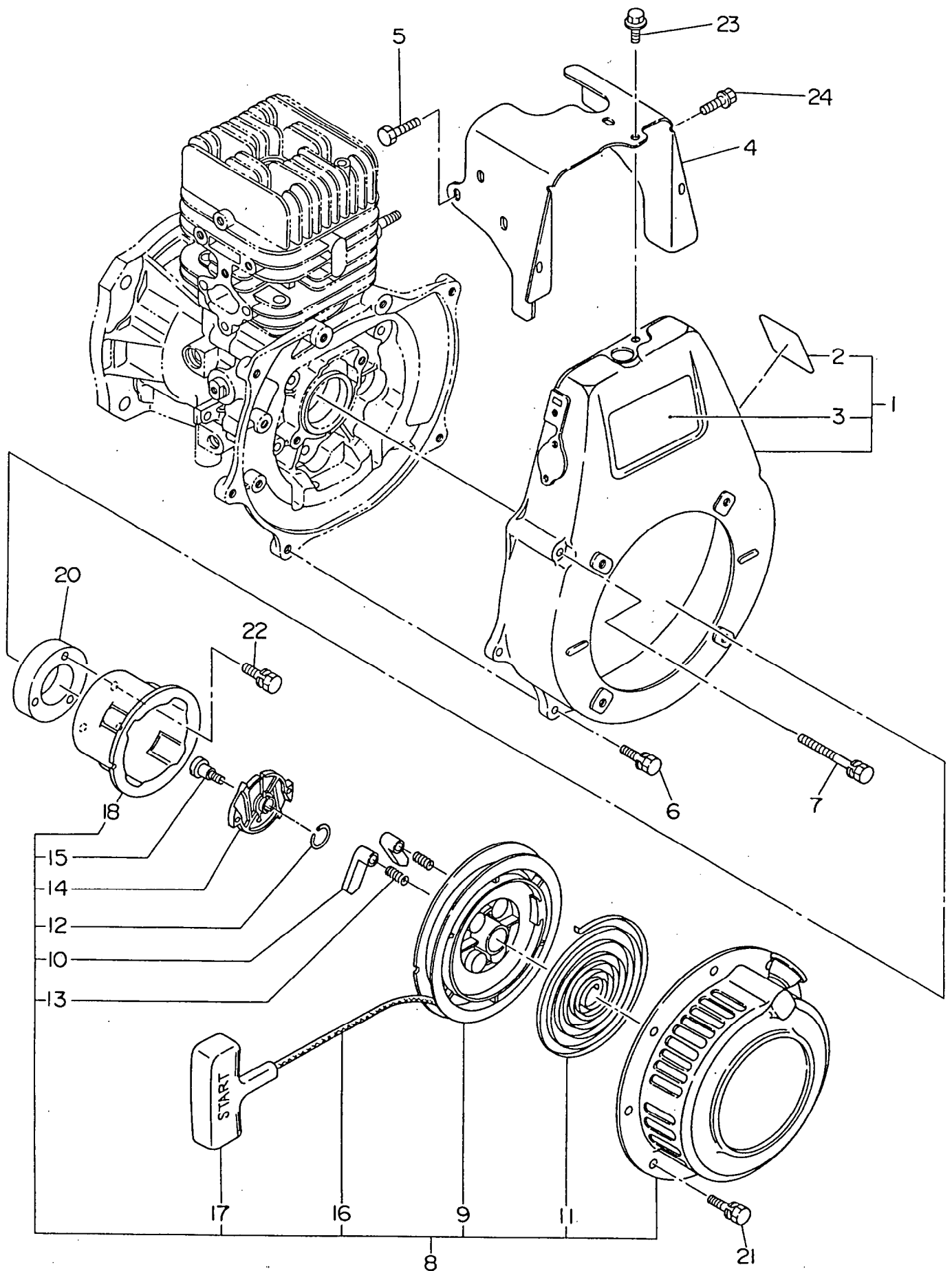


4. GOVERNOR



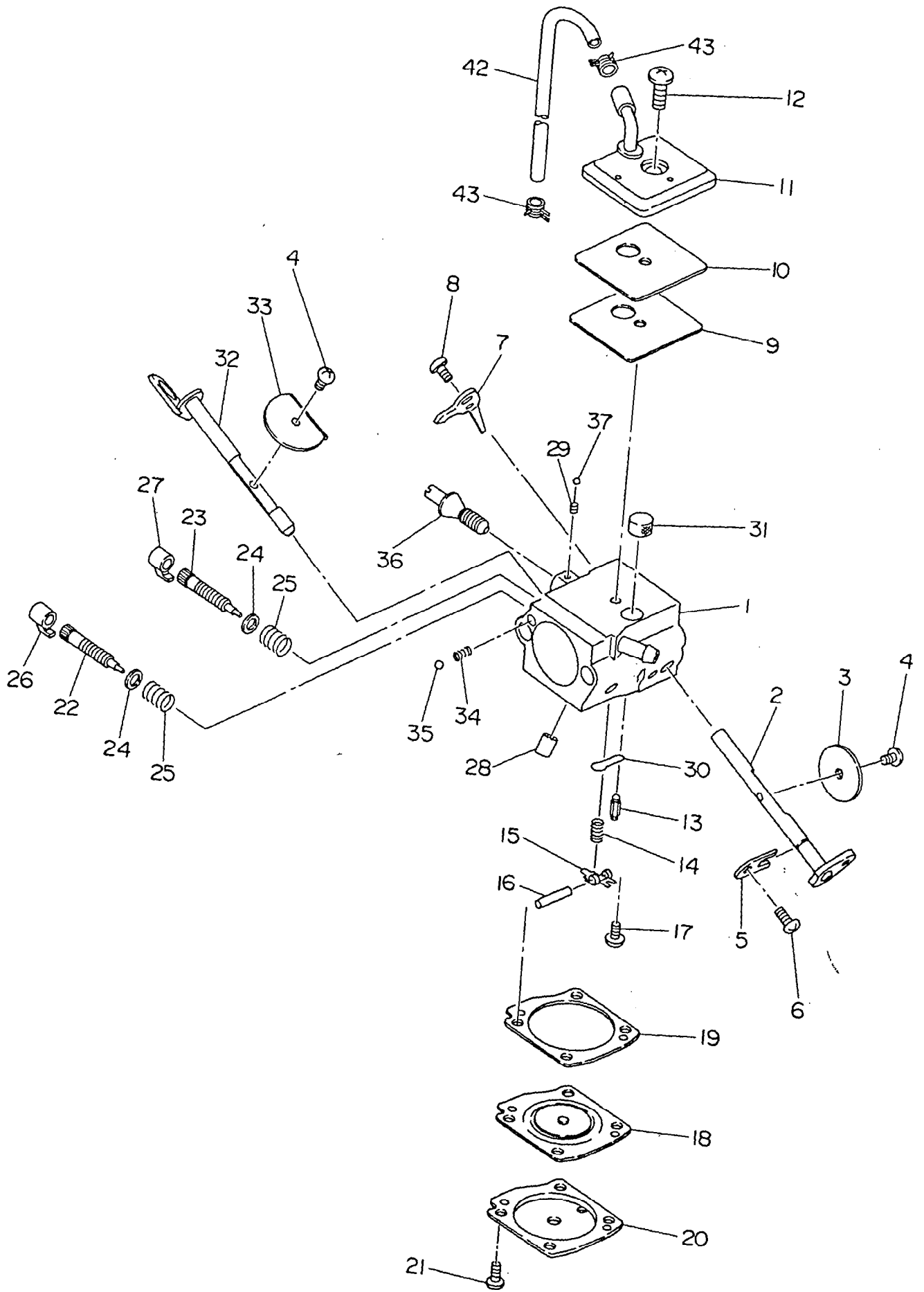


5. BLOWER HOUSING and RECOIL STARTER



5. BLOWER HOUSING and RECOIL STARTER

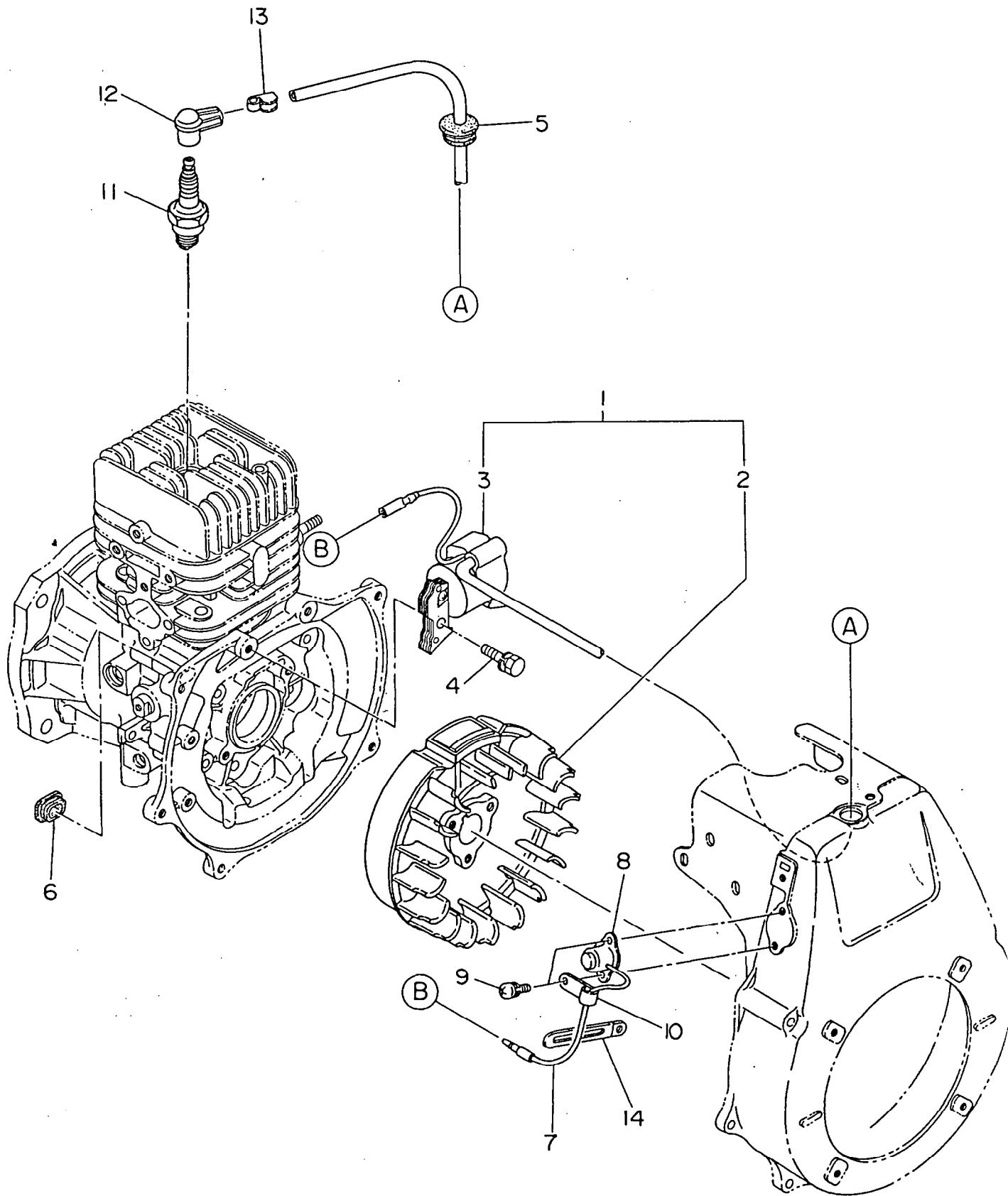
Ref. No.	Parts Number	Parts Name	Qty	Description
* 1	161-51108-01	BLOWER HOUSING COMPL.	1	Incl.2,3
2	161-91802-03	LABEL (engine name)	1	
3	161-91701-03	LABEL (trade mark)	1	
4	161-52601-23	CYLINDER BAFFLE	1	
5	015-20600-70	TAPPING BOLT	3	
6	001-14062-00	BOLT AND WASHER ASS' Y	3	
7	001-14065-50	BOLT AND WASHER ASS' Y	2	
* 8	161-50104-00	RECOIL STARTER ASS' Y	1	Incl.9-18
9	161-50120-08	REEL	1	
10	161-50125-08	RATCHET	2	
11	215-50515-08	SPIRAL SPRING	1	
12	227-50131-08	FRICTION SPRING	1	
13	227-50135-08	RETURN SPRING	2	
14	161-50150-08	RATCHET GUIDE	1	
15	227-50152-08	SET SCREW	1	
16	161-50110-08	STARTER ROPE	1	
17	236-50101-08	STARTER KNOB	1	
18	161-50145-18	STARTER PULLEY	1	
20	161-55001-13	PULLEY SPACER	1	
21	001-10061-20	BOLT AND WASHER ASS' Y	4	
22	001-13062-50	BOLT AND WASHER ASS' Y	3	
23	011-00600-10	FLANGE BOLT	1	
24	011-00600-20	FLANGE BOLT	1	



## 6. CARBURETOR

Ref. No.	Parts Number	Parts Name	Q'ty	Description
* 1	161-62401-00	CARBURETOR ASS' Y	1	Incl. 2-37
2	161-62499-08	SHAFT ASS' Y (throttle)	1	
3	106-62498-08	VALVE (throttle)	1	
4	106-62497-08	SCREW	2	
5	106-62496-08	RETAINER	1	
6	106-62495-08	SCREW (retainer)	1	
7	106-62494-08	LEVER (throttle)	1	
8	106-62493-08	SCREW	1	
9	106-62492-08	DIAPHRAGM (pump)	1	
10	106-62491-08	GASKET (pump)	1	
11	161-62498-08	COVER ASS' Y (pump)	1	
12	106-62489-08	SCREW	1	
13	106-62488-08	VALVE (inlet needle)	1	
14	106-62487-08	SPRING	1	
15	161-62497-08	LEVER (metering)	1	
16	106-62485-08	PIN	1	
17	106-62484-08	SCREW (pin)	1	
18	106-62483-08	DIAPHRAGM ASS' Y	1	
19	106-62482-08	GASKET	1	
20	106-62481-08	COVER (metering)	1	
21	106-62480-08	SCREW	4	
22	106-62479-08	SCREW (main mixture)	1	
23	106-62478-08	SCREW (idle mixture)	1	
24	106-62477-08	WASHER	2	
25	106-62476-08	SPRING (adjust screw)	2	
26	106-62475-08	LIMITER (main mixture)	1	
27	106-62474-08	LIMITER (idle mixture)	1	
28	106-62473-08	NOZZLE ASS' Y	1	
29	106-62472-08	PIECE	1	
30	106-62471-08	PLUG	1	
31	106-62470-08	STRAINER	1	
32	161-62496-08	SHAFT ASS' Y (choke)	1	
33	106-62468-08	VALVE (choke)	1	
34	106-62467-08	SPRING	1	
35	106-62466-08	BALL (steel)	1	
36	106-62465-08	SCREW (adjust)	1	
37	106-62464-08	BALL (plastic)	1	
42	085-14500-00	RUBBER PIPE	1	
43	056-10800-20	HOSE CLAMP	2	

7. ELECTRIC DEVICE







9. PARTS TO BE SHIPPED LOOSE

