

PARTS MANUAL

Model

EY15

ENGINE

PUB-EP5657A
Rev. 04/00

Robin America, Inc.

940 Lively Blvd. • Wood Dale, IL 60191 • Phone: 630-350-8200 • Fax: 630-350-8212
e-mail: sales@robinamerica.com • www.robinamerica.com

© Copyright 2000 Robin America, Inc.

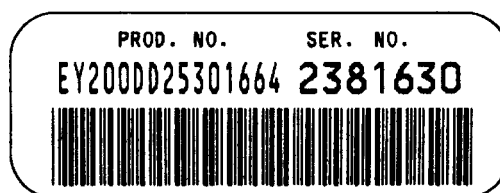
HOW TO USE THIS MANUAL

Robin engines are identified by MODEL, SPECIFICATION, and CODE NUMBER. For each model there may be many different versions called specifications. Each specification will be unique in some way. The difference may only be the paint color or it may have a different type of PTO or some other significant difference.

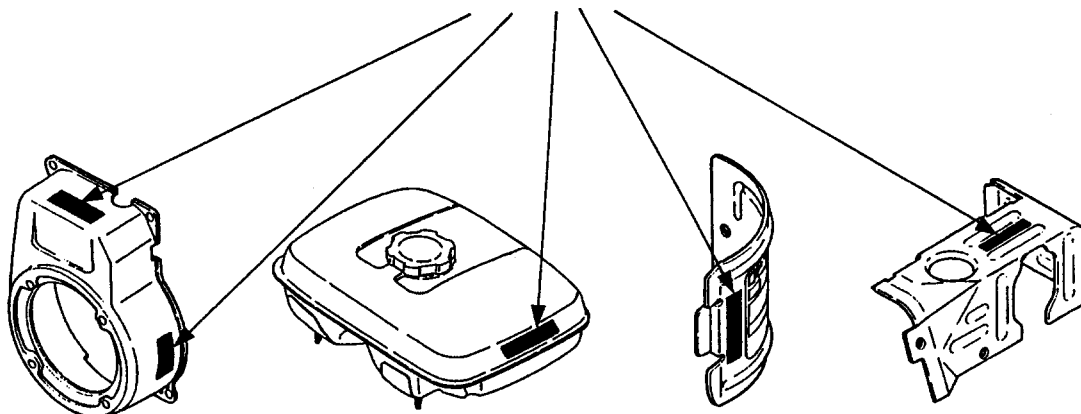
In order to identify the correct service part number, it is important to confirm the specification and code numbers for your engine. The specification and code number together are known as the PRODUCT NUMBER.

All Robin 4 cycle engines have a Product Number label similar to the label illustrated below.

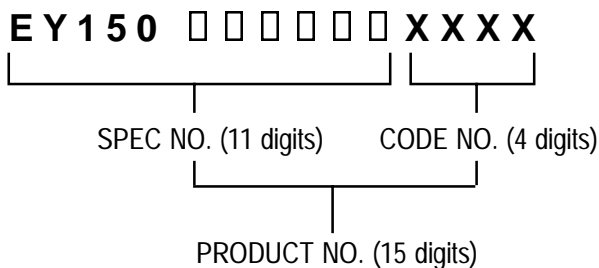
PRODUCT NUMBER LABEL



PRODUCT NUMBER LABEL LOCATIONS



The Product Number Label has a 15 digit alphanumeric string that consists of the SPECIFICATION (SPEC) number (11 digits) and the CODE number (4 digits). Please note the illustration below:



MANUAL LAYOUT

① SECTION 6 FUEL GROUP

② FIG. 600

③

④

⑤

⑥

⑦

⑧

⑨

REF.	PART NO.	DESCRIPTION	QTY.	REMARKS	FROM-TO	FIG.
10	267-60103-01	FUEL TANK CP	1	YD, YS TYPE, BLACK	2101 -	600
30	267-60101-01	FUEL TANK CP	1	YELLOW	- 2100	600
27	073-20039-00	LABEL, WARNING	1	YD, YS TYPE		600
30	043-04300-15	FUEL TANK CAP CP	1			600
31	267-95201-03	LABEL, EMISSION	1	YD, YS TYPE		600
40	064-13600-10	FUEL FILTER	1			600
50	064-20021-01	FUEL STRAINER AY	1			600
-1	064-20002-20	FILTER	1			600
-2	064-20002-30	GASKET	1			600
-3	064-20019-10	CUP	1			600
-4	064-20003-20	NUT	1			600

1. SECTION NAME Parts are broadly classified according to their functions.
Refer to the Group Index (table of contents) for respective section name.
2. FIG. No. The FIG. number indexes the reference and part numbers to the illustration. Figure numbers that vary only in the tens place (i.e.: 700 and 710) are in a group of the same section (i.e.:Electrical Device Group).
3. REF. No . The Reference number identifies the part illustration with the corresponding part number in the part list.
4. SUBASSEMBLY SUBASSEMBLY parts of part assembly are listed below the assembly part. The subassembly part reference number is indicated by the number led by "-" such as "-1", "-2".
5. PART NUMBER It is the number assigned for sales unit. Use the PART No. when making an order.
6. DESCRIPTION It is designation of the part.
7. QTY. Quantity of each part used for each product.
8. REMARKS This gives a distinctive feature and/or a supplementary comment for the type, the specification, and the part concerned. It also shows part number(s) interchangeable for the part.
9. FROM-TO This section shows the CODE No. to indicate the history of progress in which improved parts have been introduced in the product. The FROM-TO CODE No. helps to identify PART No. being employed in the product concerned. See the examples below:
 - The part is used in the product irrespective of CODE No.
 - 2101- The part is used in the products with CODE No. of 2101 and after this number.
 - 2100 The part is used in the products with CODE No. of 2100 and before this number.

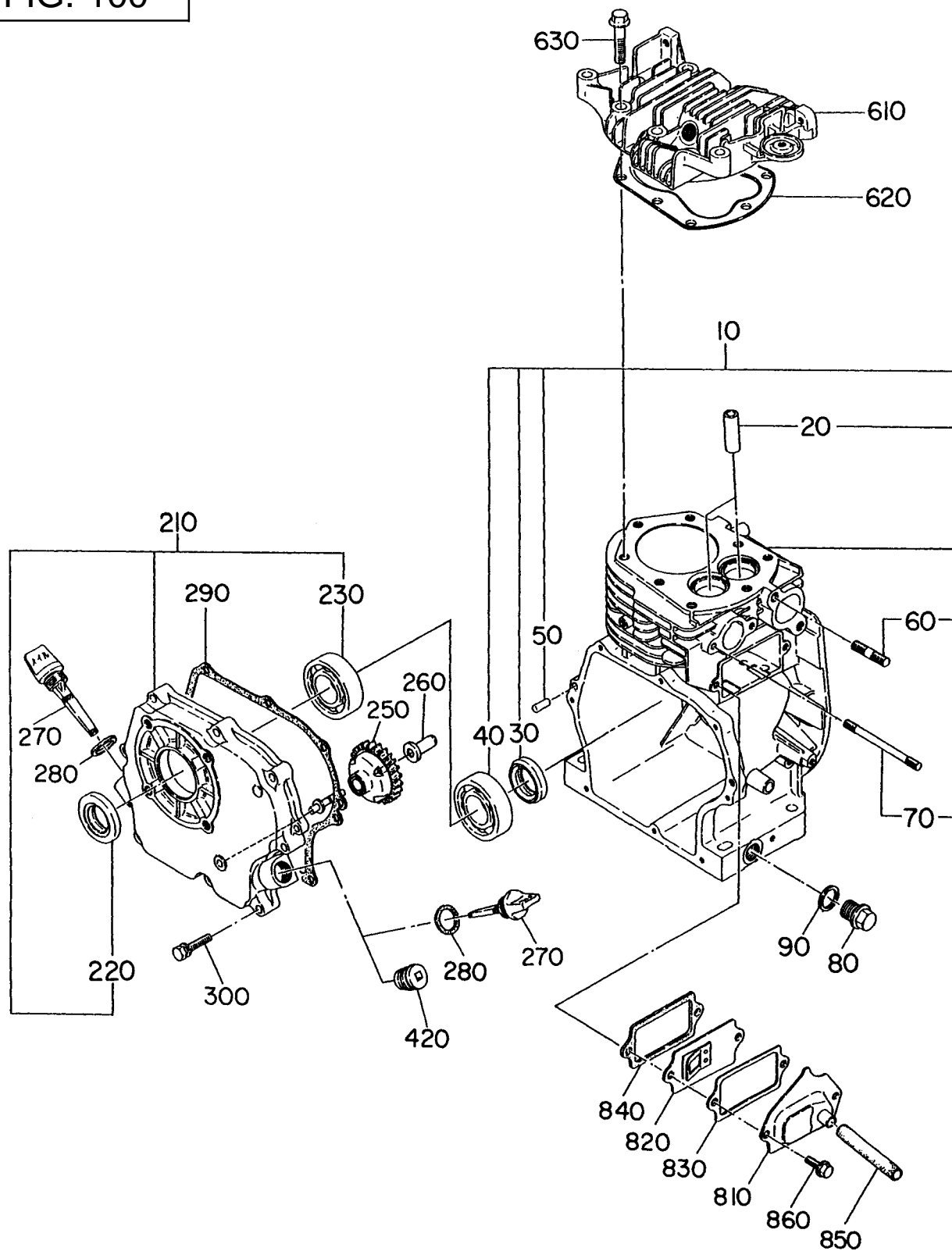
GROUP INDEX

Group Name	Page
CRANKCASE GROUP	6
CRANKSHAFT GROUP	8
INTAKE and EXHAUST GROUP	10
GOVERNOR GROUP	14
COOLING and STARTING GROUP	18
FUEL, LUBRICANT GROUP	22
CARBURETOR GROUP	24
ELECTRIC DEVICE GROUP	26
OIL SENSOR	30
6:1 REDUCTION	34

INDEX OF DESCRIPTION SYMBOLS			
SYMBOL	DESCRIPTION	SYMBOL	DESCRIPTION
AY	ASSEMBLY	P=	PITCH (in mm)
CP	COMPLETE	P.T.O. (PTO)	POWER TAKE OFF
EX	EXPORT (from Japan)	REF.	REFERENCE
FIG.	FIGURE	R.H. (RH)	RIGHT HAND SIDE
FR.	FRONT	RR.	REAR
"	INCH	STD.	STANDARD
INCL.	INCLUDE	SW	SWITCH
~L	LITER	T=	THICKNESS (in mm)
L=	LENGTH (in. mm)	UN	UNIT
L.H. (LH)	LEFT-HAND SIDE	U.S.	UNDER SIZE
MECH	MECHANICAL	~V	VOLTAGE
NO (NON)	NONE	~W	WATT
OPT.	OPTIONAL	W/	WITH
O.S.	OVER SIZE	W/O	WITHOUT

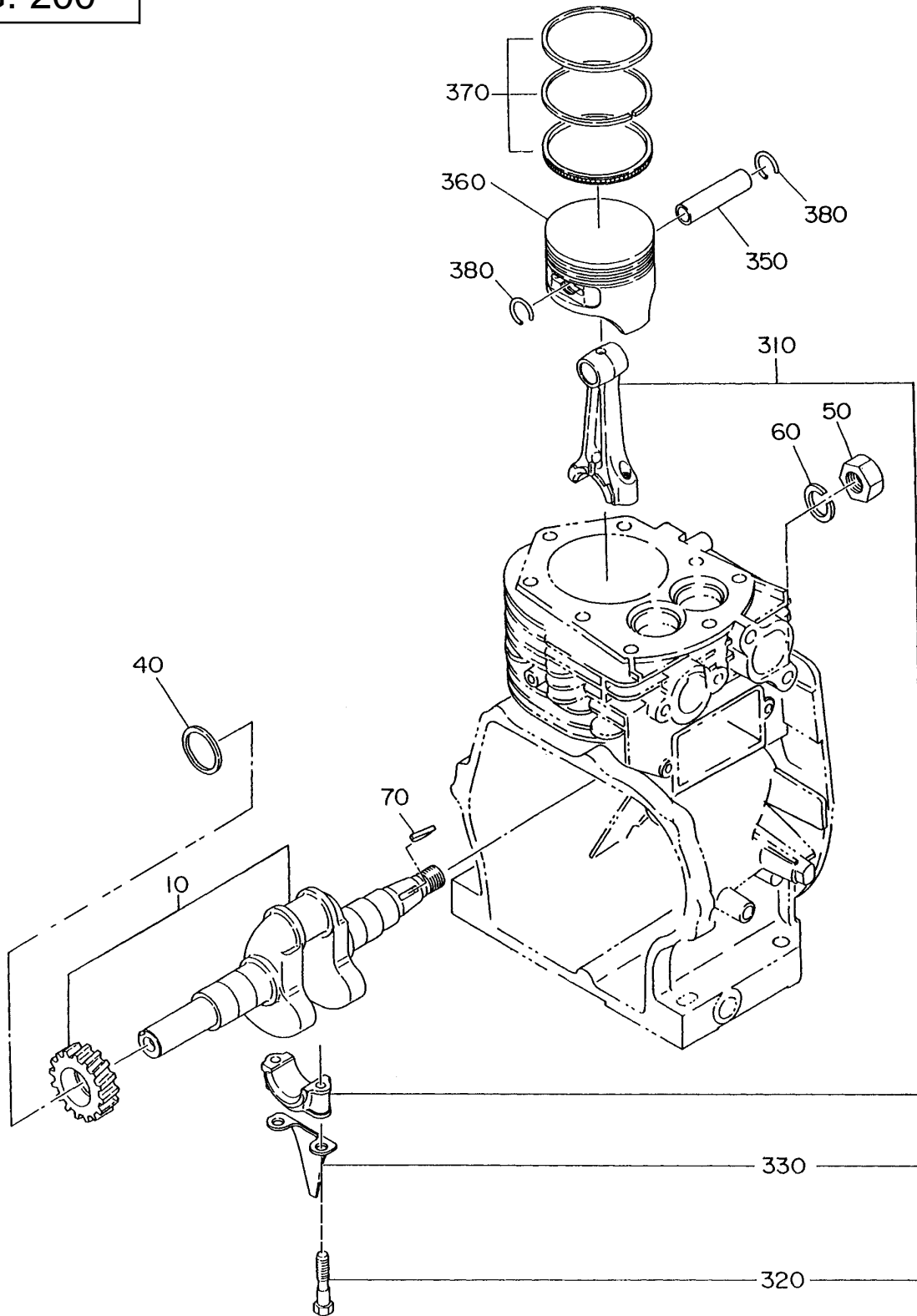
SECTION 1 CRANKCASE GROUP

FIG. 100



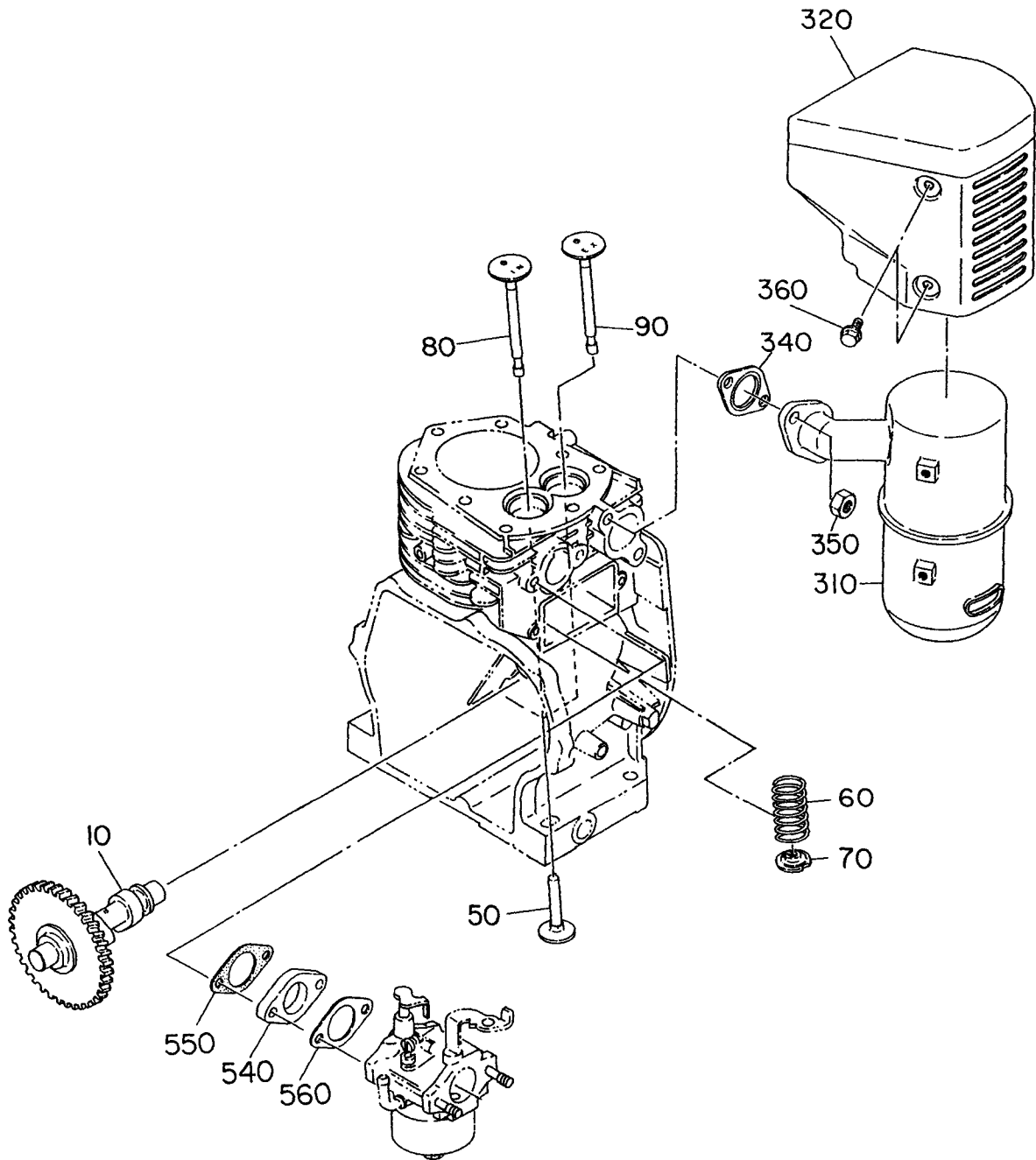
SECTION 2 CRANKSHAFT GROUP

FIG. 200



SECTION 3 INTAKE and EXHAUST GROUP

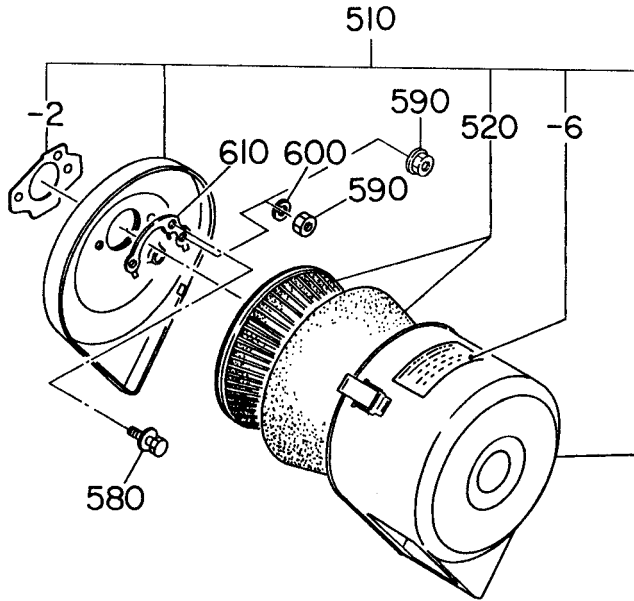
FIG. 300



SECTION 3 INTAKE and EXHAUST GROUP

FIG. 310

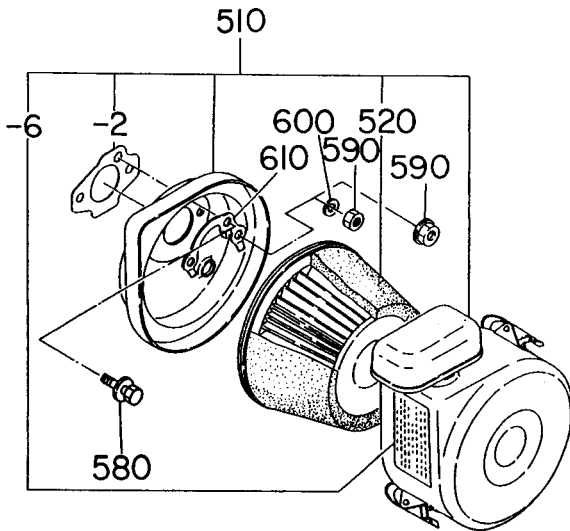
Lower Inlet Cyclone



A

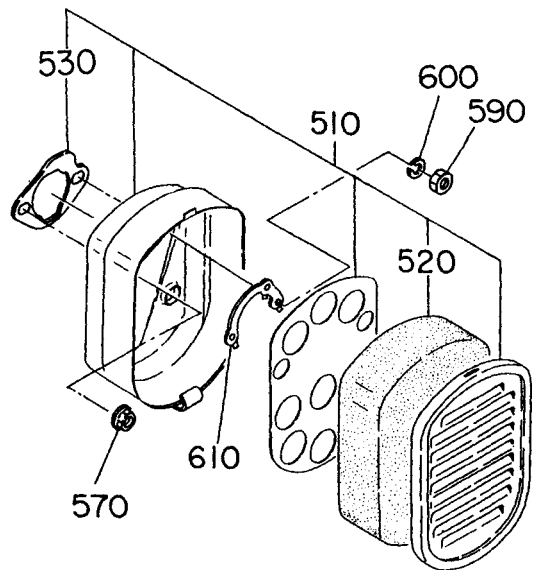
B

Top Inlet Cyclone



C

Foam Element



SECTION 4 GOVERNOR GROUP

FIG. 400

MANUAL WITH UPPER REMOTE CABLE CONTROL

MANUAL CONTROL ONLY

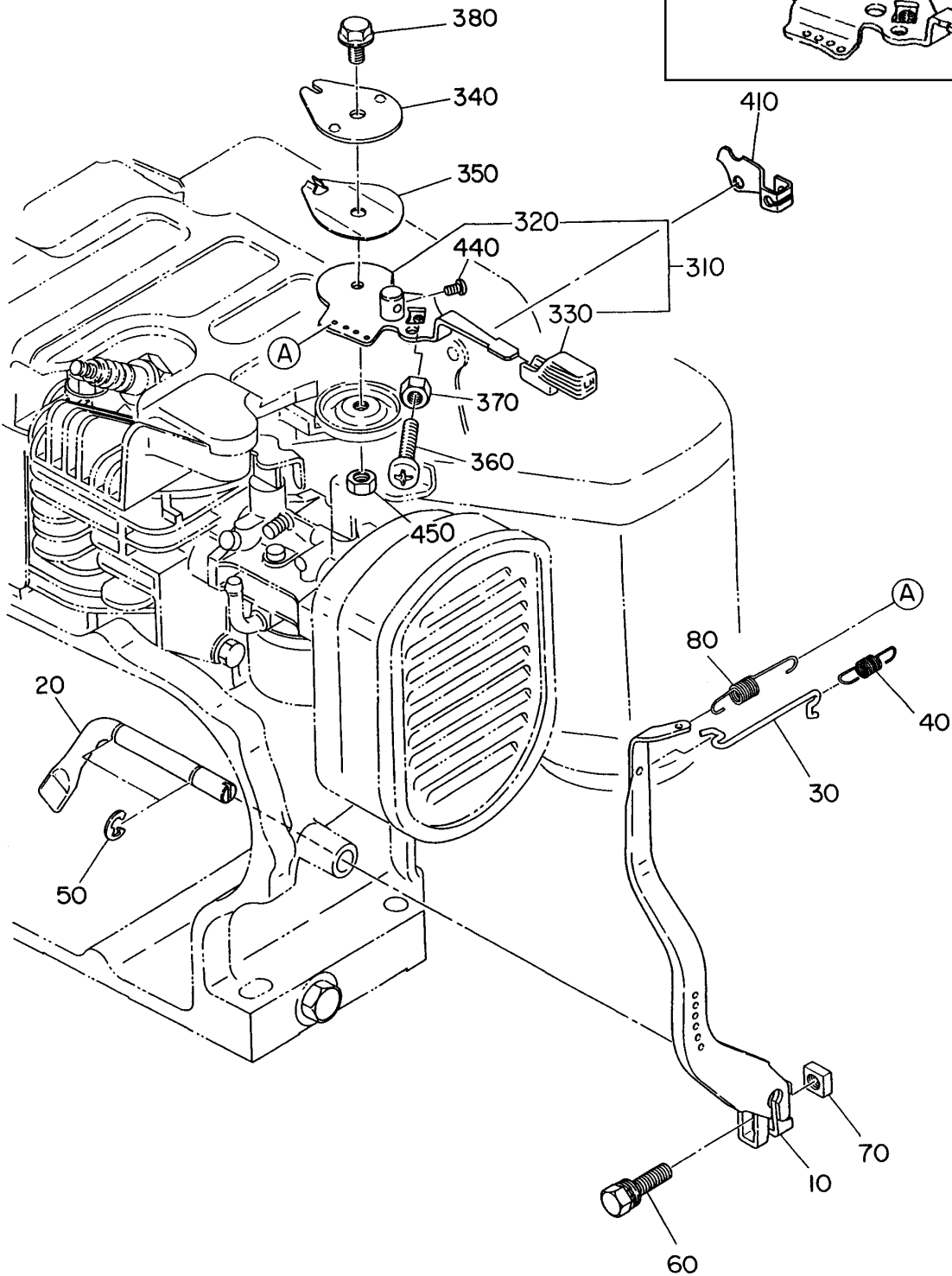
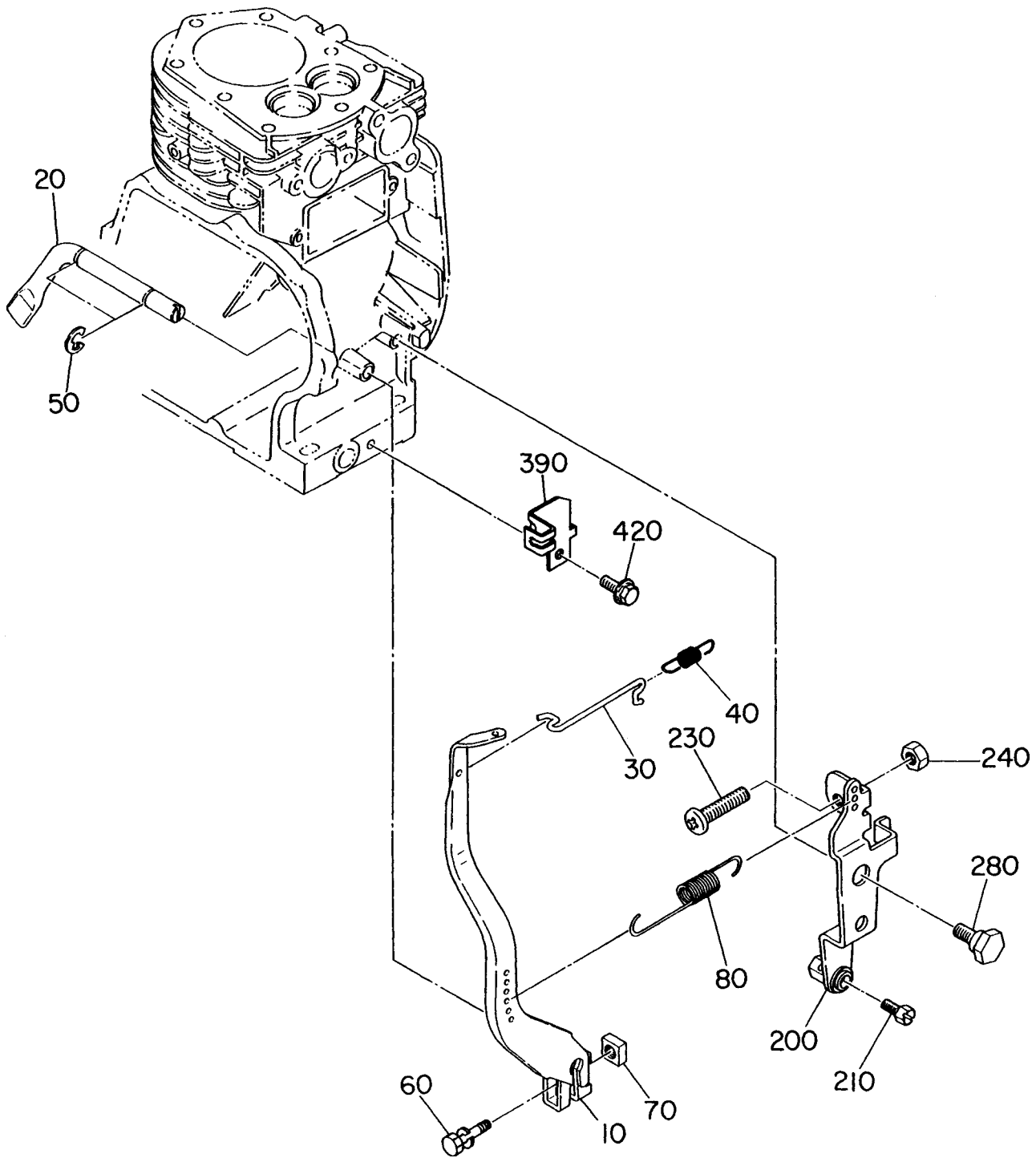


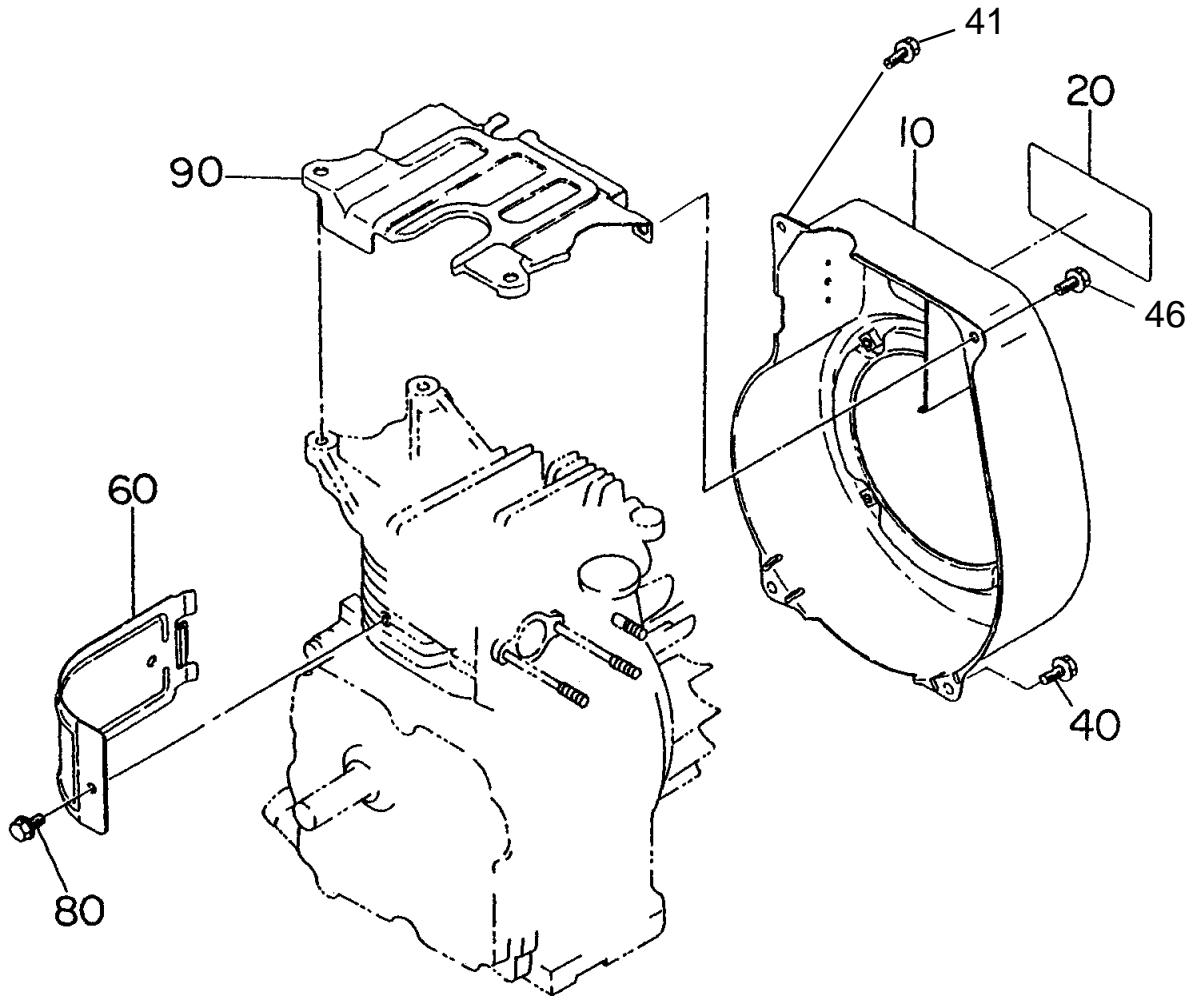
FIG. 410

LOWER REMOTE CABLE CONTROL



SECTION 5 COOLING and STARTING GROUP

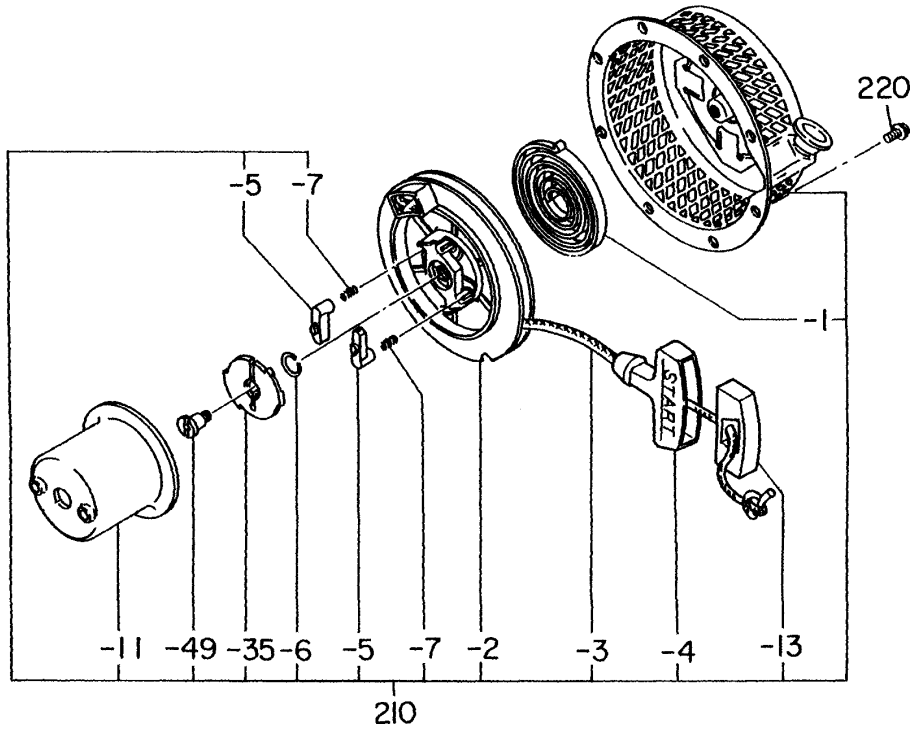
FIG. 500



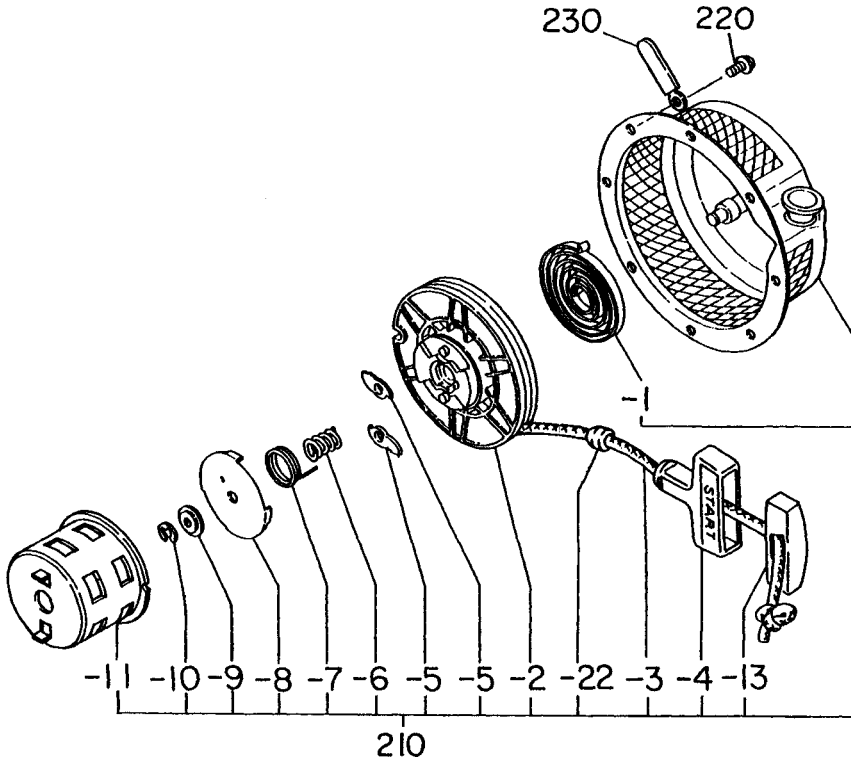
SECTION 5 COOLING and STARTING GROUP

FIG. 510

NEW STYLE

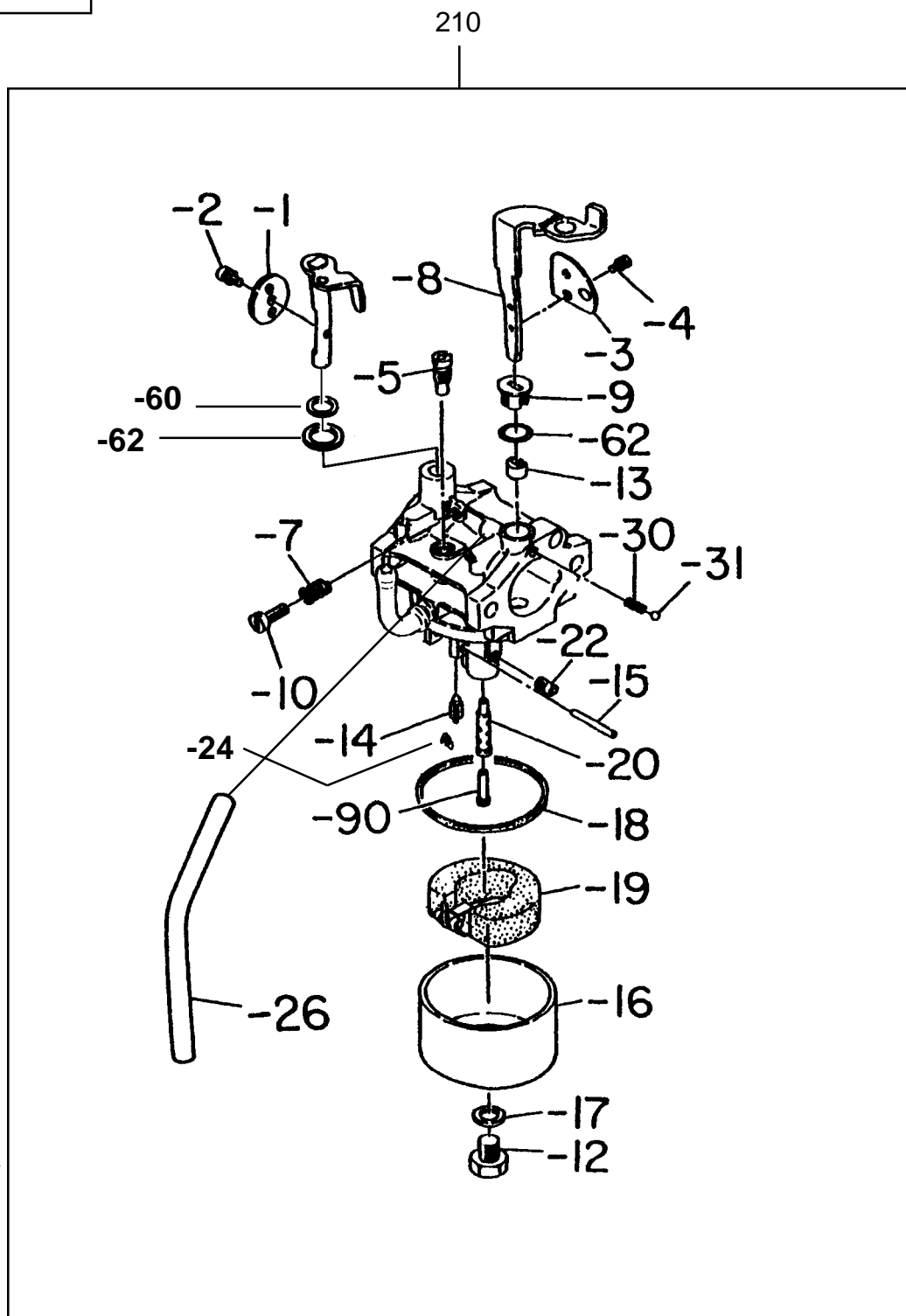


OLD STYLE



SECTION 6 FUEL, LUBRICATION GROUP

FIG. 610



SECTION 7 ELECTRIC DEVICE GROUP

FIG. 700

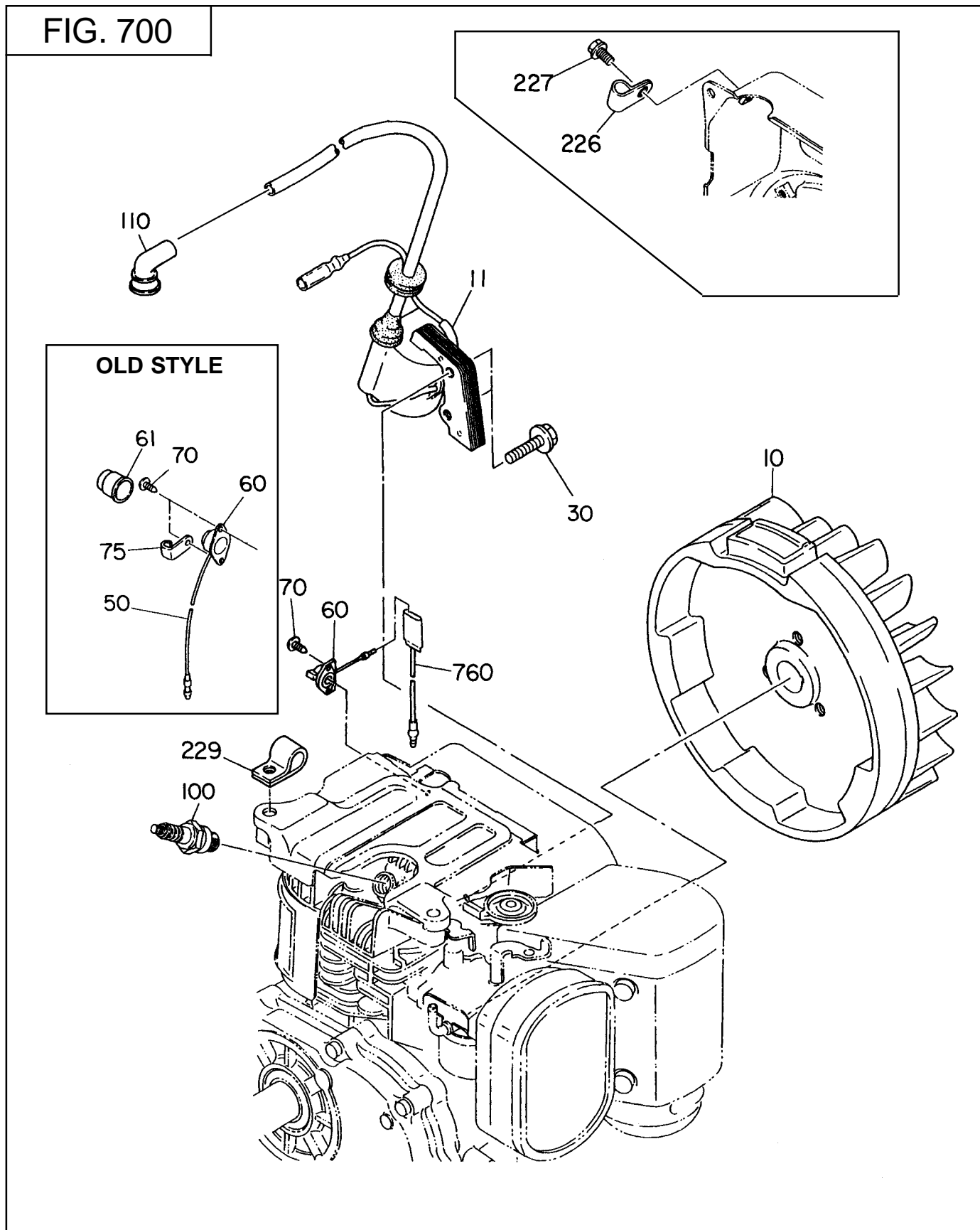


FIG. 710

POINTS and CONDENSER - OLD STYLE

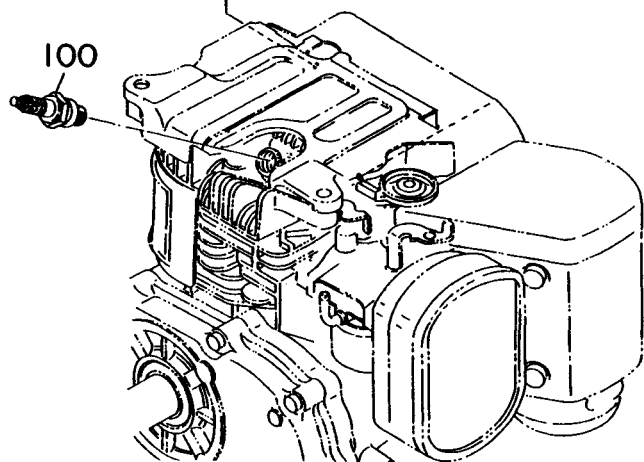
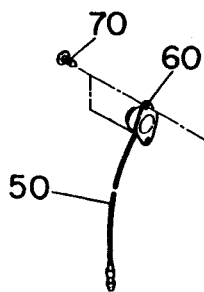
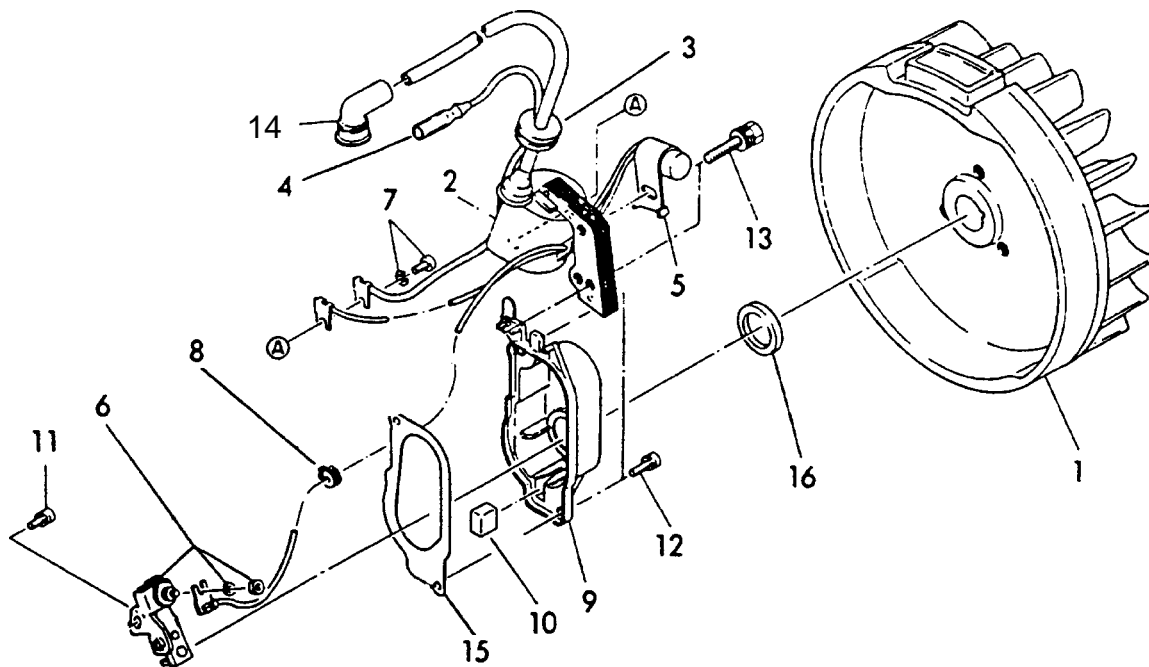
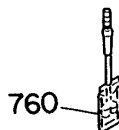


FIG. 720

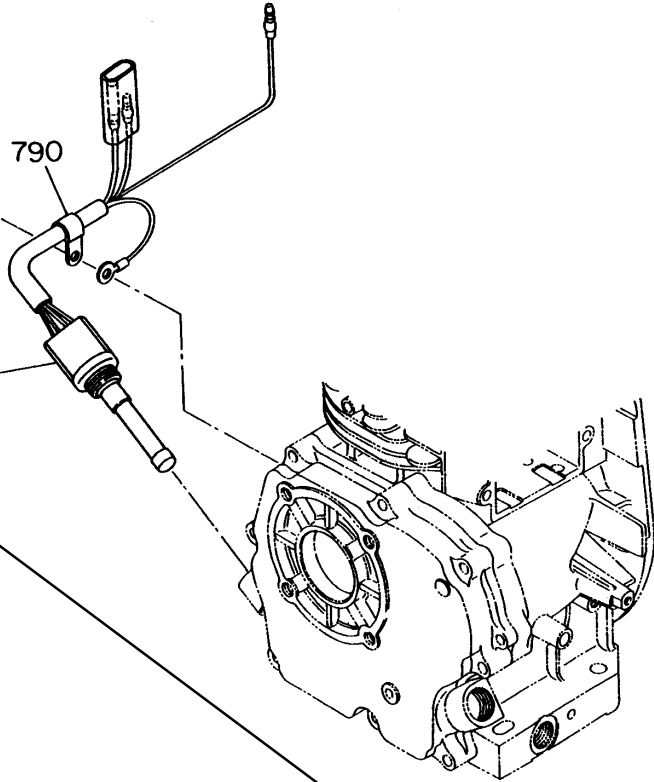
**NEW STYLE - OPPOSITE
CARBURETOR SIDE**



740

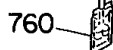
790

700



730

780



750

755

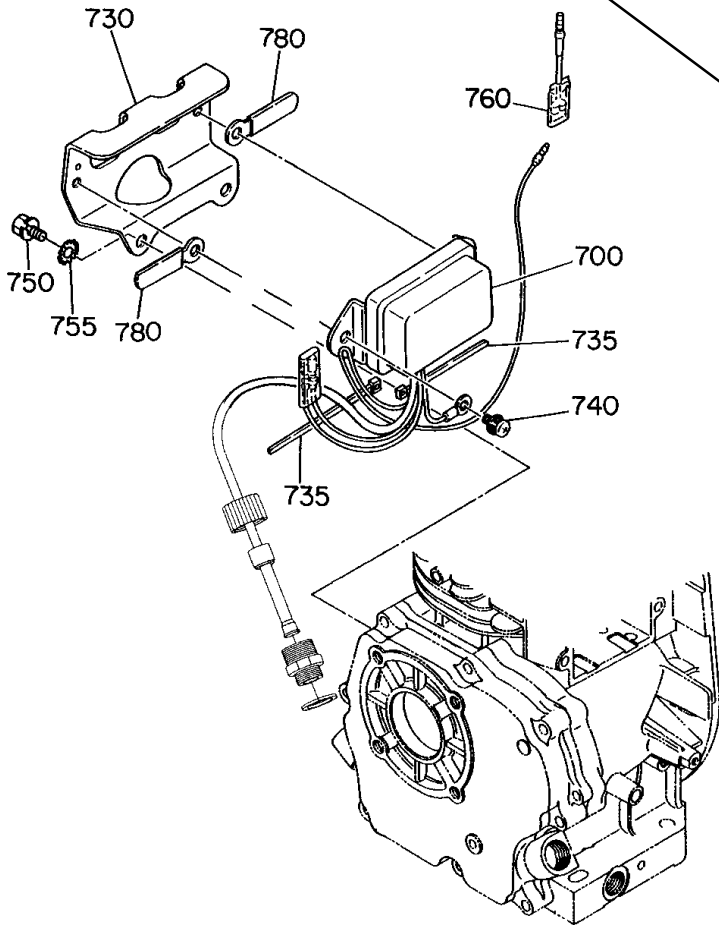
780

700

735

740

735



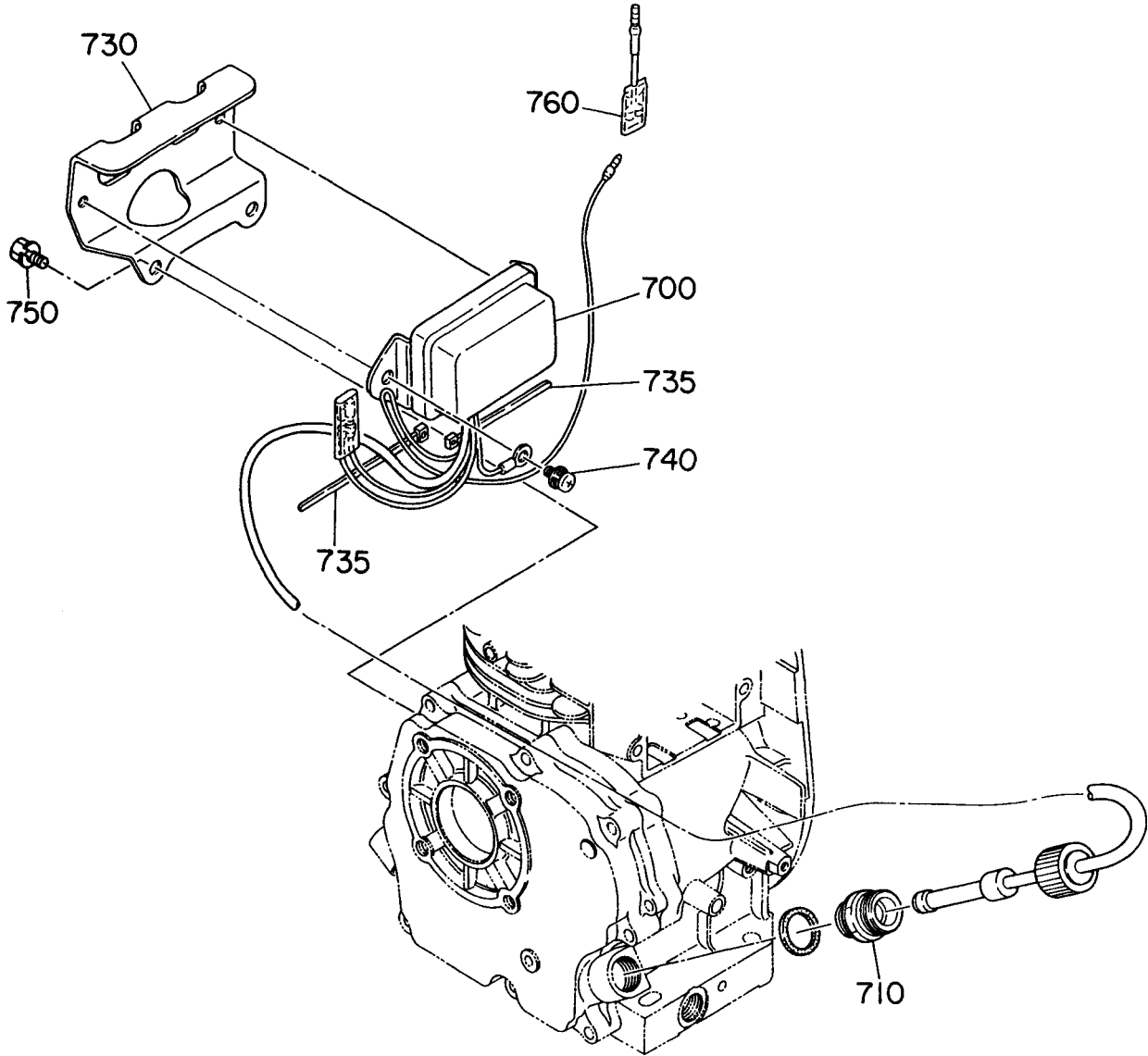
**OLD STYLE - OPPOSITE
CARBURETOR SIDE**

SECTION 7 ELECTRIC DEVICE GROUP - OIL SENSOR

REF.	PART NO.	DESCRIPTION	QTY.	REMARKS	FROM-TO	FIG.
700	KS3-11020-01	OIL SENSOR	1	New Style		720
700	227-76030-01	OIL SENSOR	1	Old Style		720
710	227-76210-03	JOINT	1			720
730	227-76503-11	BRACKET	1			720
735	056-30000-20	WIRE BAND	2			720
740	001-10081-60	SCREW and WASHER AY	1	New Style		720
	004-36061-20	SCREW and WASHER AY	2	Old Style		720
750	011-10081-60	BOLT and WASHER AY	2			720
760	214-73122-01	WIRE 22	1			720
780	226-75101-03	CLAMP	2			720
790	214-79003-01	CLAMP	1			720

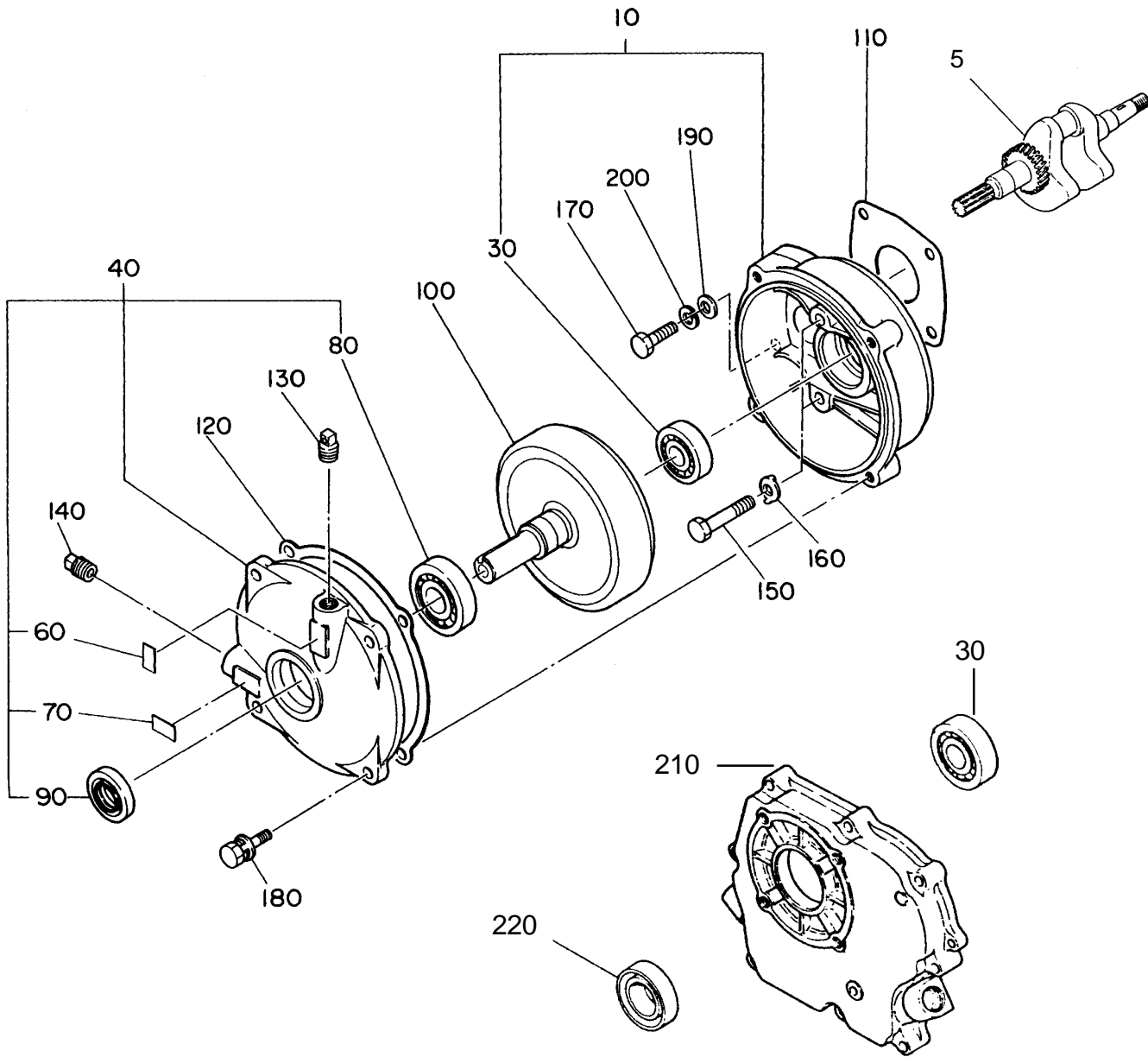
FIG. 730

OLD STYLE - CARBURETOR SIDE



SECTION 8 6:1 REDUCTION

FIG. 800



PRINTED IN THE USA